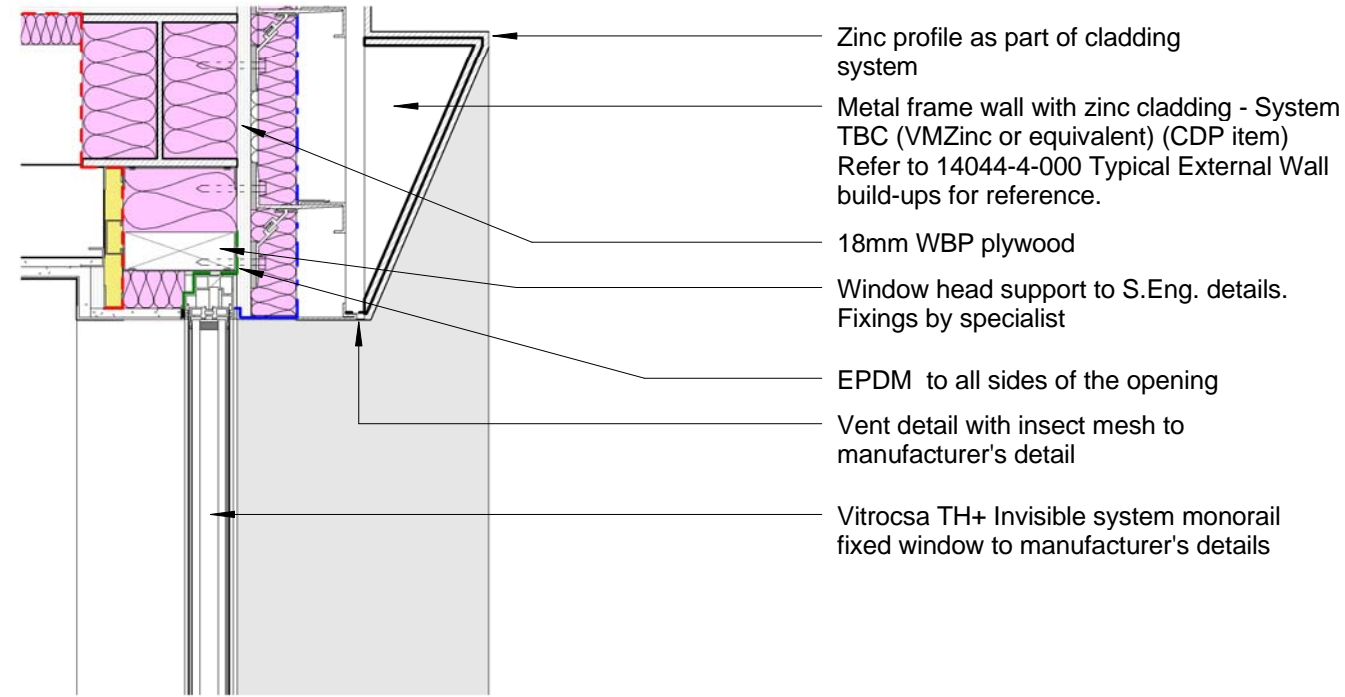
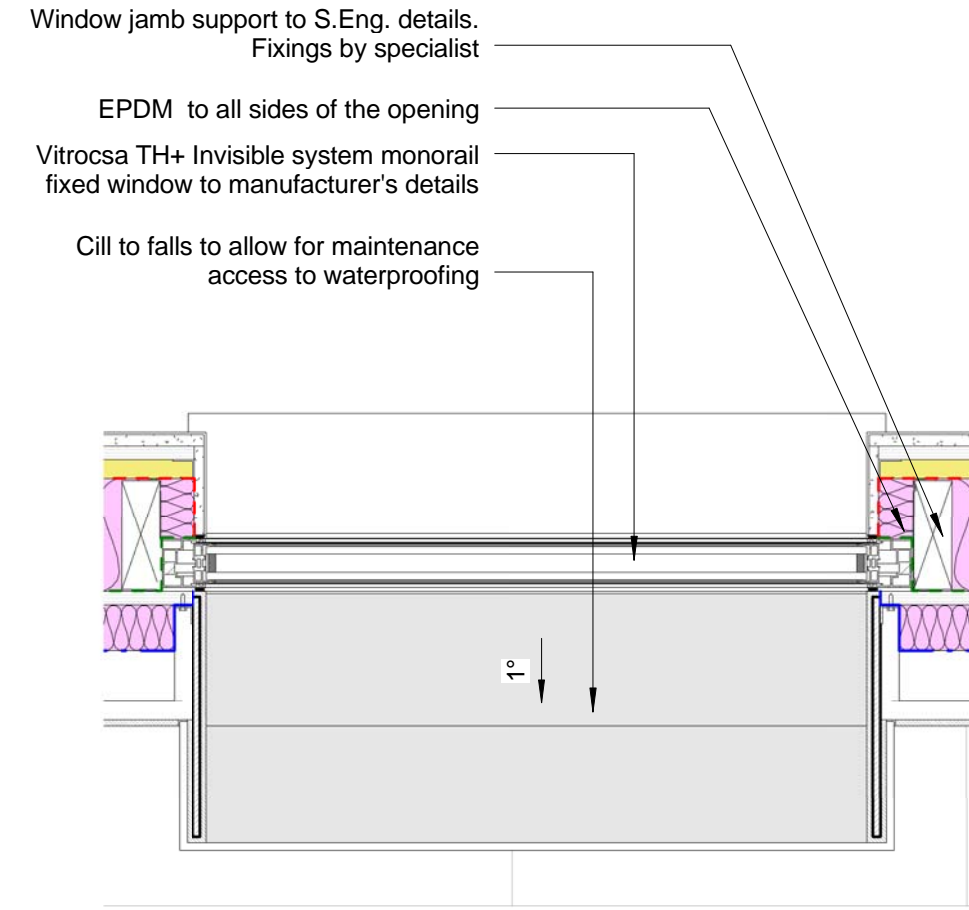


GENERAL NOTES:
 This drawing is copyright of KSR architects. This drawing must be read in conjunction with the Designer's Risk Assessment, specification and all other relevant documentation and drawings. KSR architects accept no liability for any expense, loss or damage of whatever nature and however arising from any variation made to this drawing or in the execution of the work to which it relates which has not been referred to them and their approval obtained.
 Areas are based on unchecked survey and are approximate only.
 Do not scale from this drawing or the digital data, only figured dimensions are to be used. Refer to linear scale for guidance. Check all dimensions on site prior to carrying out any works and advise any discrepancy

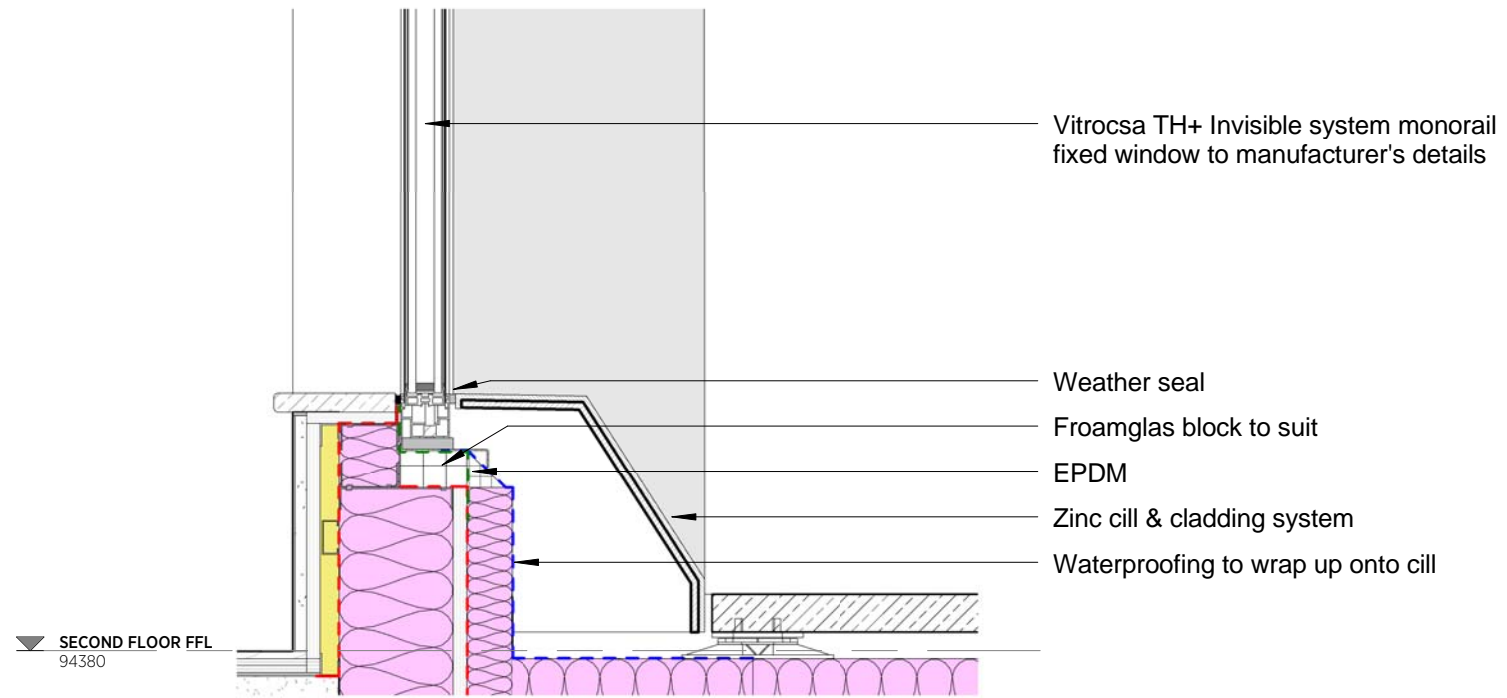


- Zinc profile as part of cladding system
- Metal frame wall with zinc cladding - System TBC (VMZinc or equivalent) (CDP item) Refer to 14044-4-000 Typical External Wall build-ups for reference.
- 18mm WBP plywood
- Window head support to S.Eng. details. Fixings by specialist
- EPDM to all sides of the opening
- Vent detail with insect mesh to manufacturer's detail
- Vitrocsa TH+ Invisible system monorail fixed window to manufacturer's details



- Window jamb support to S.Eng. details. Fixings by specialist
- EPDM to all sides of the opening
- Vitrocsa TH+ Invisible system monorail fixed window to manufacturer's details
- Cill to falls to allow for maintenance access to waterproofing

2 JAMB DETAIL
 1:10 @ A3



- Vitrocsa TH+ Invisible system monorail fixed window to manufacturer's details
- Weather seal
- Foamglas block to suit
- EPDM
- Zinc cill & cladding system
- Waterproofing to wrap up onto cill

▼ SECOND FLOOR FFL
 94380

1 WINDOW - METAL CLADDING HEAD AND CILL DETAIL
 1:10 @ A3