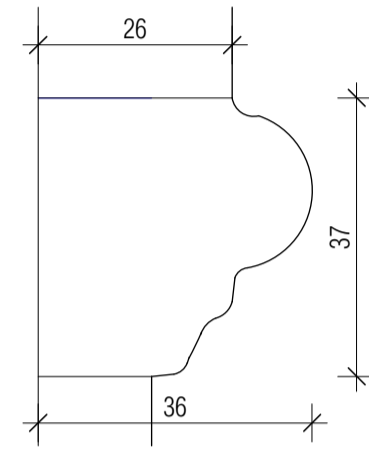
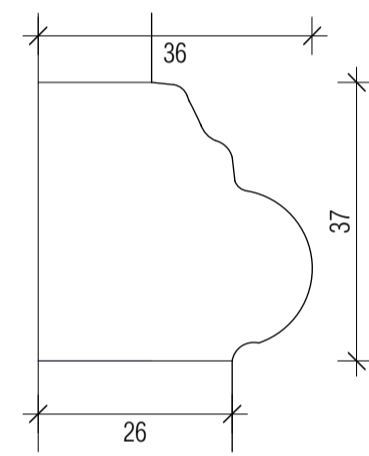


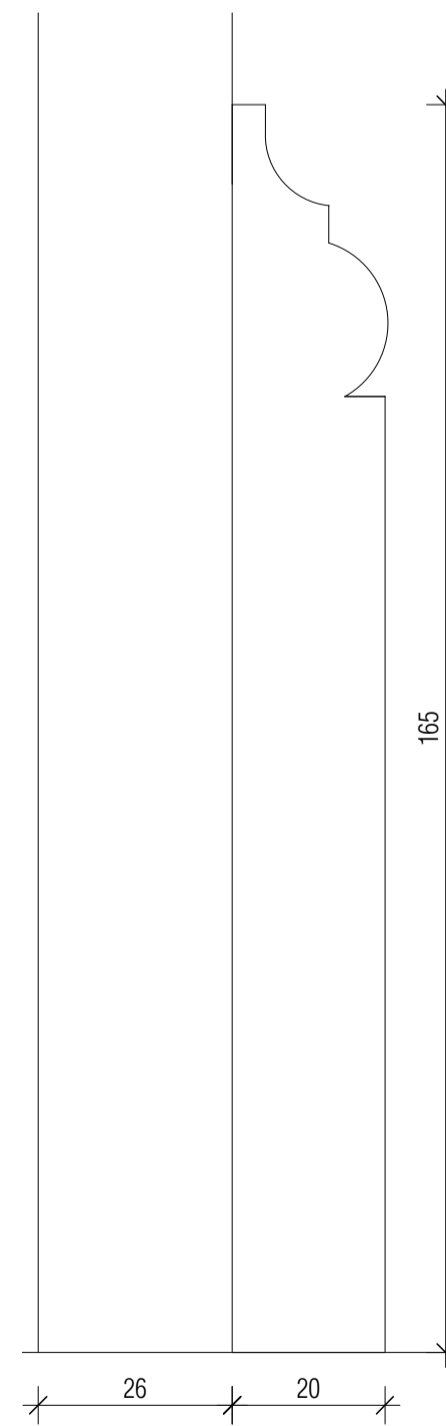
DM01
Dado Moulding 1
(pg.170; item 1; No.19 Queen Anne's Gate; c.1704)



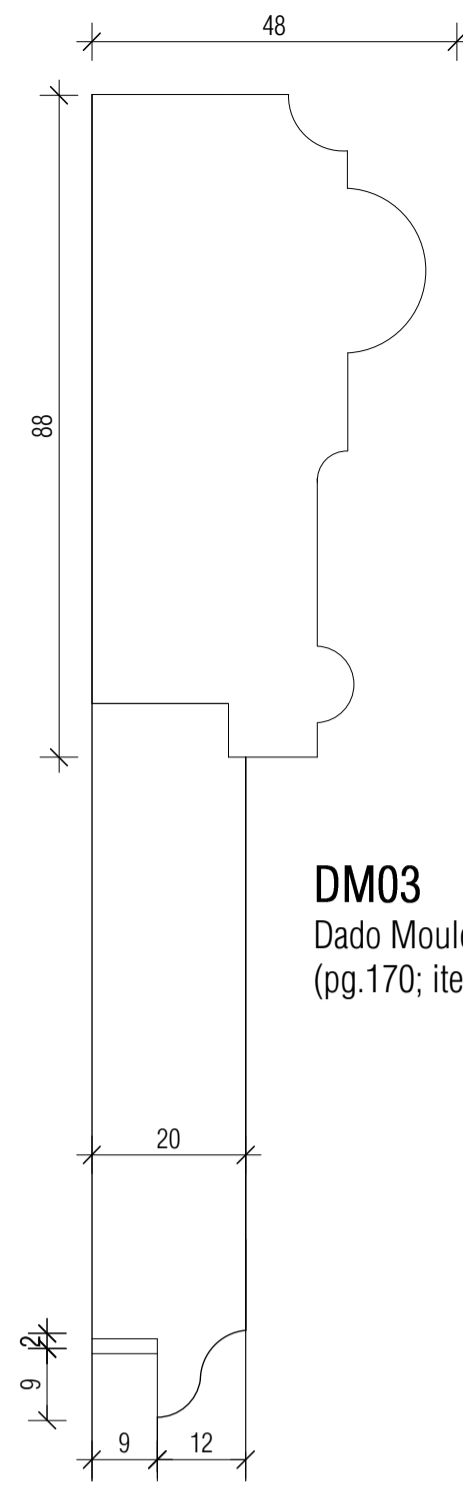
PM01
Panel Moulding 1



PM01
Panel Moulding 1

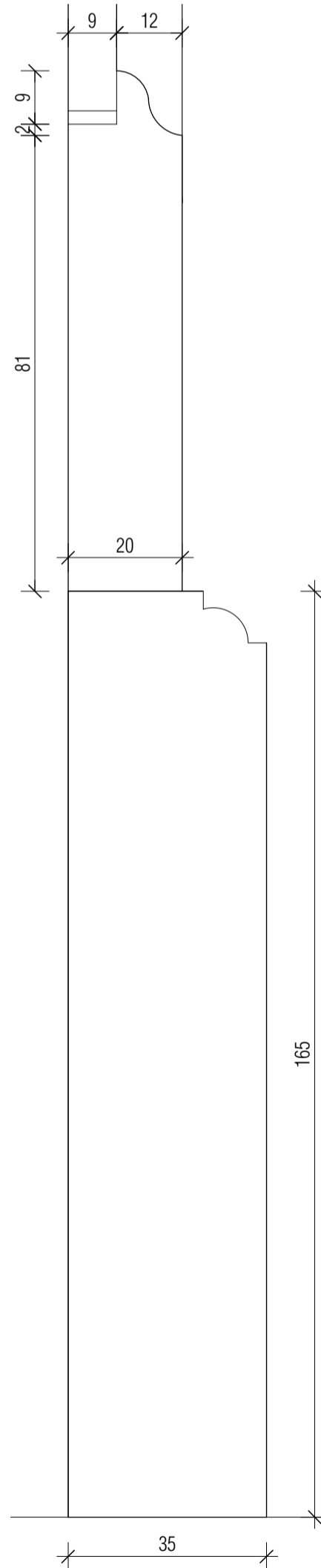


SP01
Skirting Profile 1
(pg.170; item 1; No.15 Elder Street; 1727)



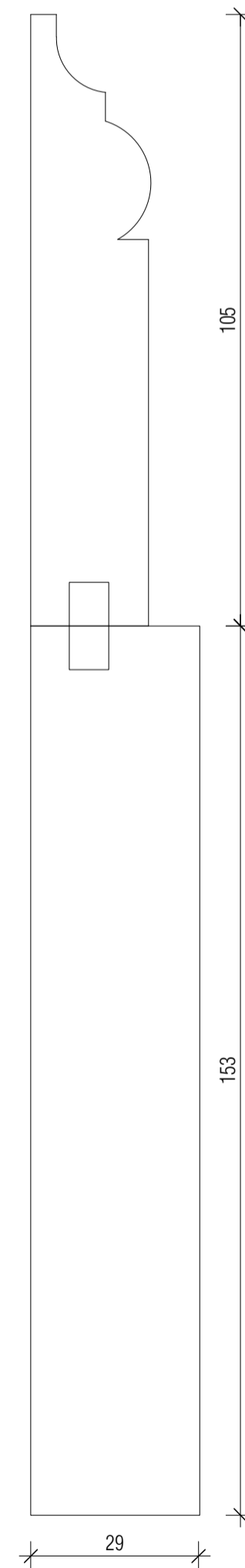
DM03
Dado Moulding 3
(pg.170; item 3; No.15 Elder Street; 1727)

PM02
Panel Moulding 2



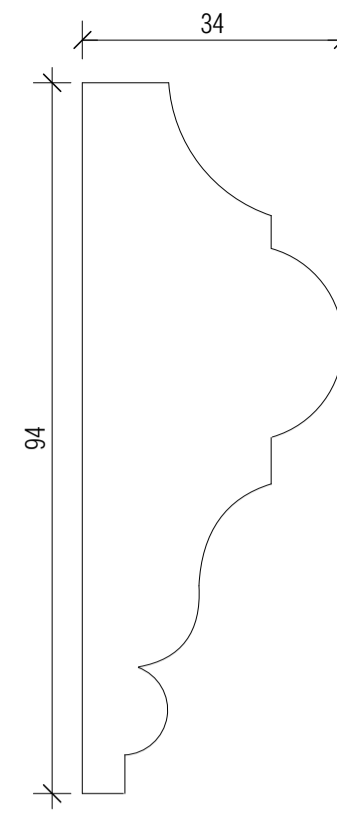
SP02
Skirting Profile 2

PM03 & PM04
Panel Moulding 3 & 4
See drawing HH-824

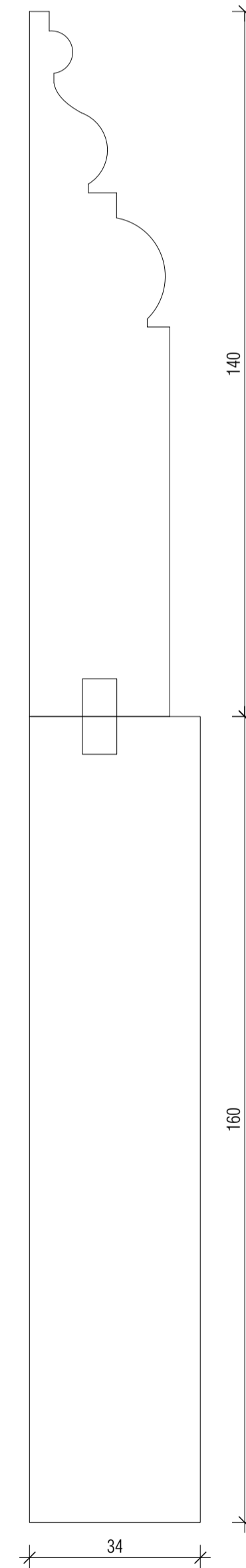


SP03
Skirting Profile 3
(pg.170; item 1; No.15 Elder Street; 1727)

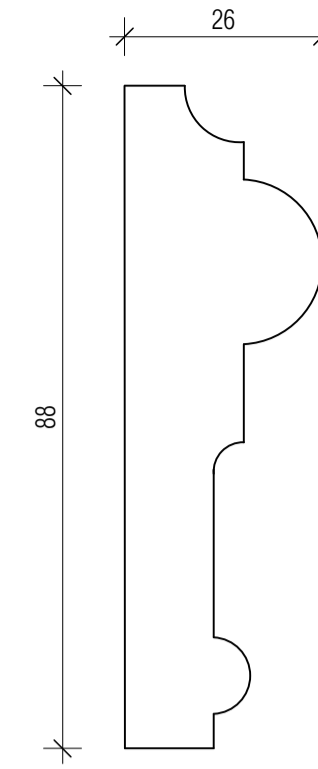
SP04
Skirting Profile 4
See drawing HH-824



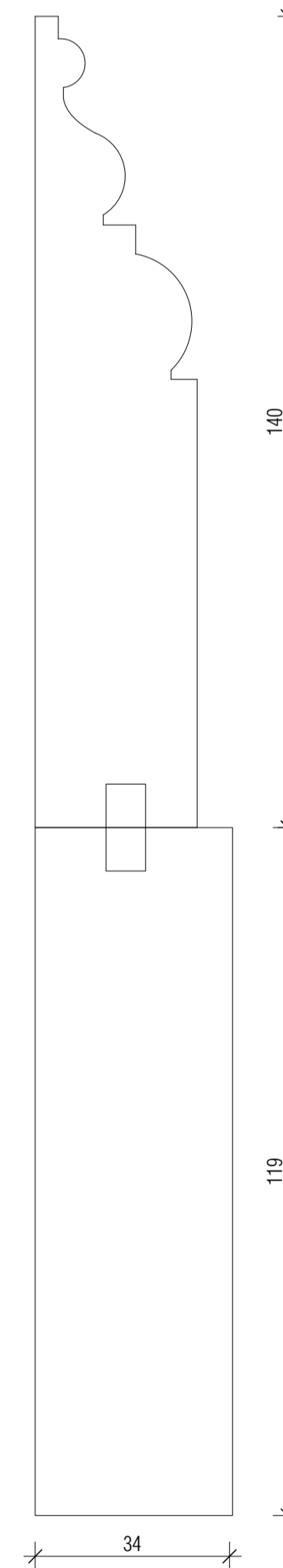
DM02
Dado Moulding 2
(pg.170; item 4; Fournier Stret, Spitalfields; c.1726)



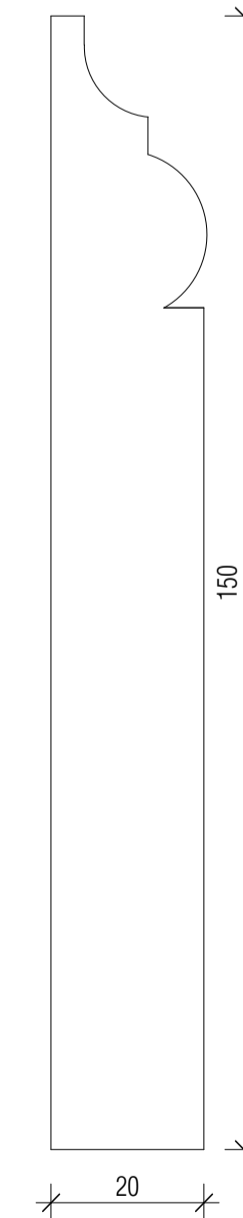
SP05
Skirting Profile 5
(pg.170; item 5; Nos.5-13 Queen Anne's Gate; 1770)



DM07
Dado Moulding 7
(pg.170; item 3; No.15 Elder Street; 1727)



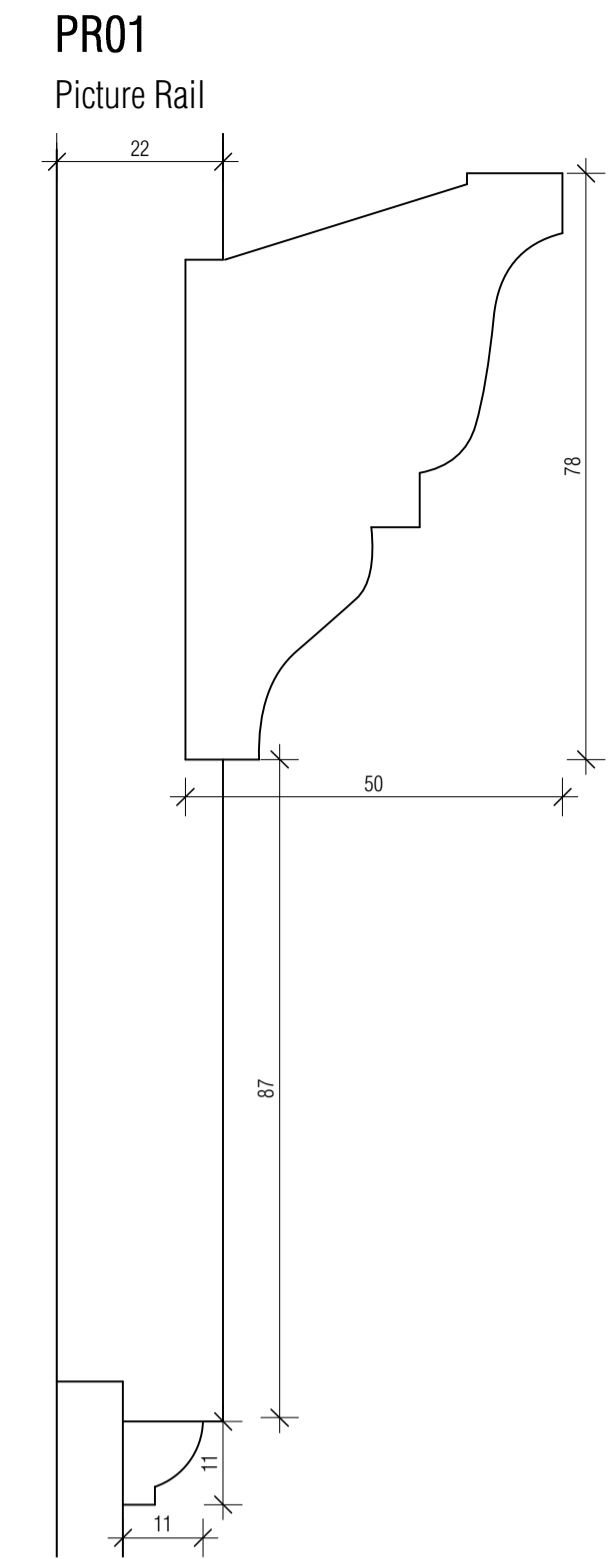
SP06
Skirting Profile 6
(pg.170; item 5; Nos.5-13 Queen Anne's Gate; 1770)



SP07
Skirting Profile 7
(pg.170; item 1; No.15 Elder Street; 1727)

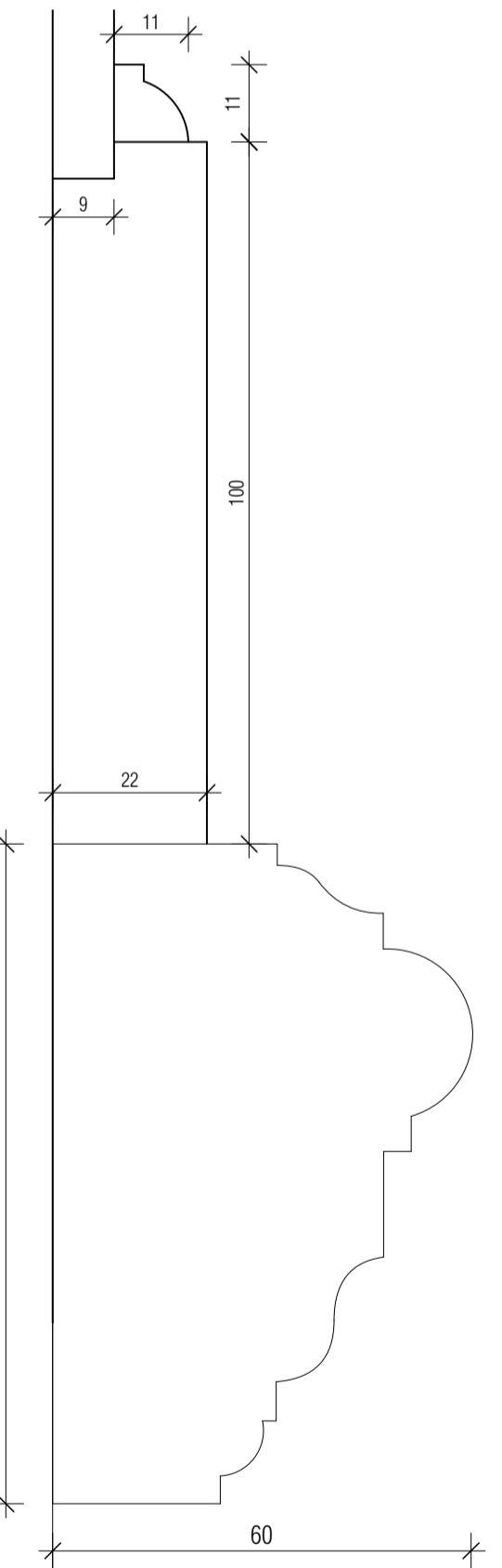


SP08
Skirting Profile 8



PR01
Picture Rail

PM05
Panel Moulding 5



DM04
Dado Moulding 4
(pg.170; item 1; No.19 Queen Anne's Gate; c.1704)

© CLIVE CHAPMAN ARCHITECTS. SURVEY INFORMATION IS USED UNDER SEPARATE COPYRIGHT LICENCE. REFER TO EXISTING SURVEY DRAWINGS / TITLE BLOCK FOR SURVEYORS DETAILS.
ALL DIMENSIONS TO BE CHECKED ON SITE. BRACKETED DIMENSIONS ARE FOR CHECKING AND NOT FOR SETTING OUT PURPOSES. ANY DISCREPANCIES ARE TO BE REPORTED TO THE ARCHITECT BEFORE COMMENCEMENT.

Notes

Revisions		
T1	24.04.2018	Issued for Pre-Planning Application.
T2	29.08.2018	Amendments from preliminary drawings to include updates to mouldings profiles as per Conservation Officer meeting 20.06.2018 Issued for Tender

TENDER

Project HEATH HOUSE, HAMPSTEAD, NW3 7ET		
Drawing SKIRTING, DADO & PANEL MOULDING PROFILES		
Drawing No. HH-823 T2	Scale 1:1 @ A1	Date 29.01.2018

CLIVE CHAPMAN ARCHITECTS
SUSTAINABILITY CONSULTANTS
4 EEL PIE ISLAND
TWICKENHAM, MIDDLESEX TW20 2JY
TELEPHONE 020 8891 4837
EMAIL: INFO@CCAR.CO.UK
WEBSITE: WWW.CCAR.CO.UK