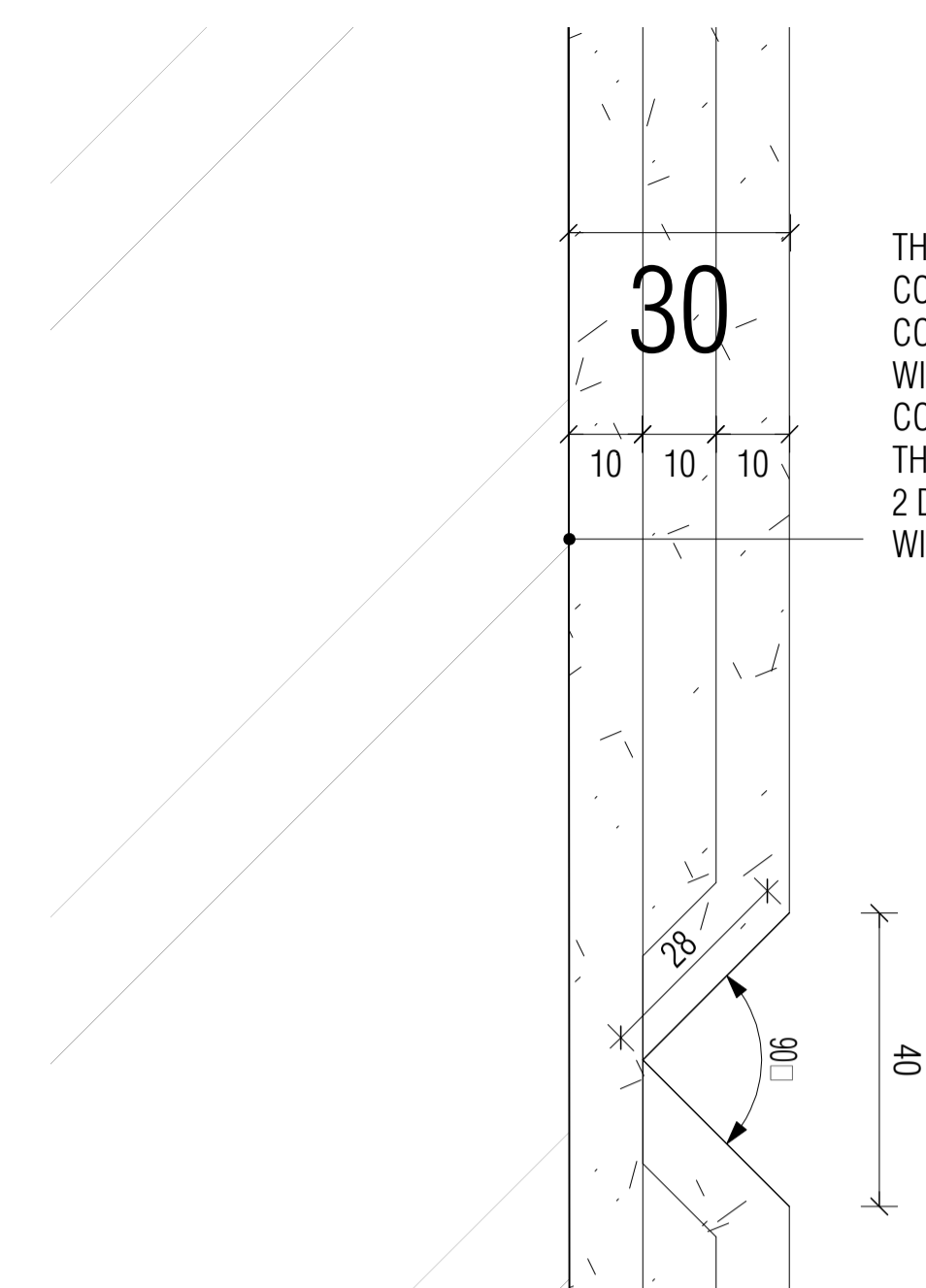
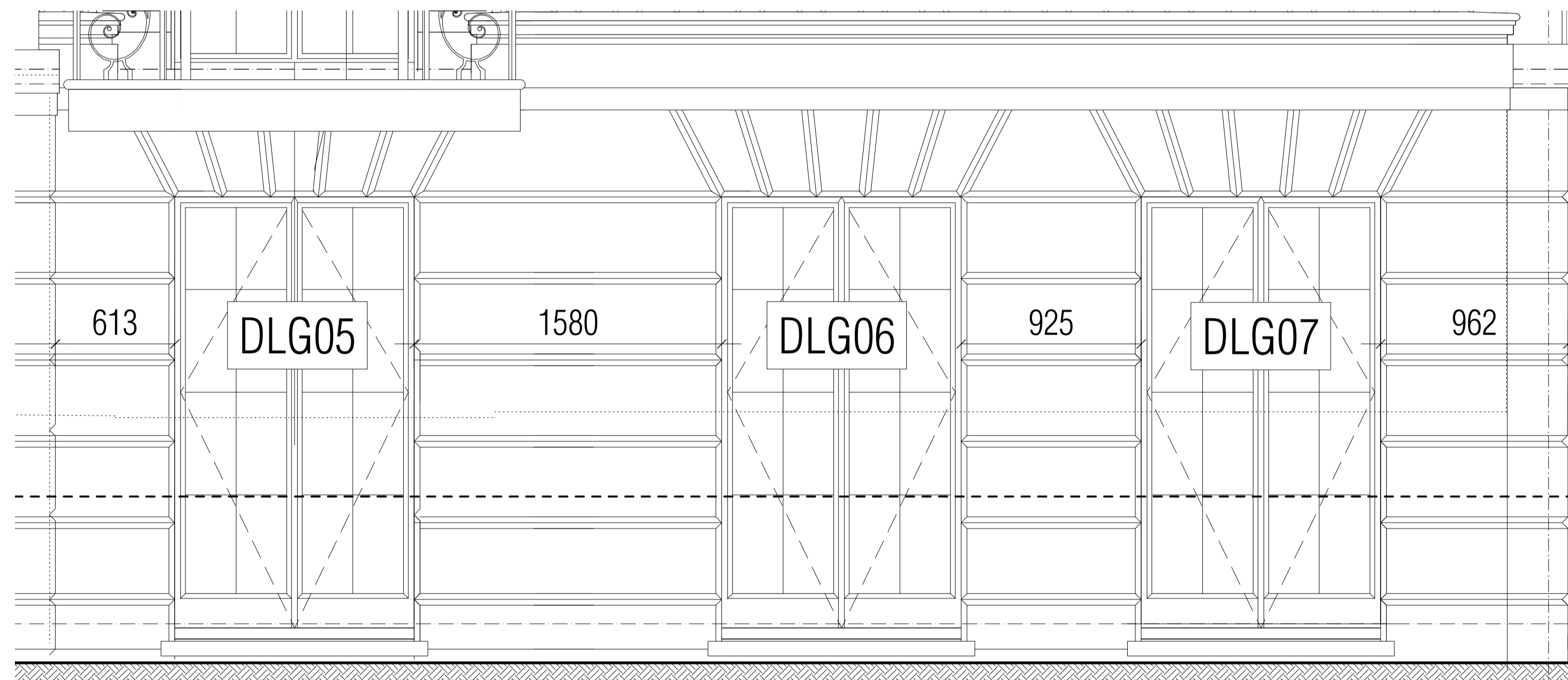


1 ELEVATION 1
1:20

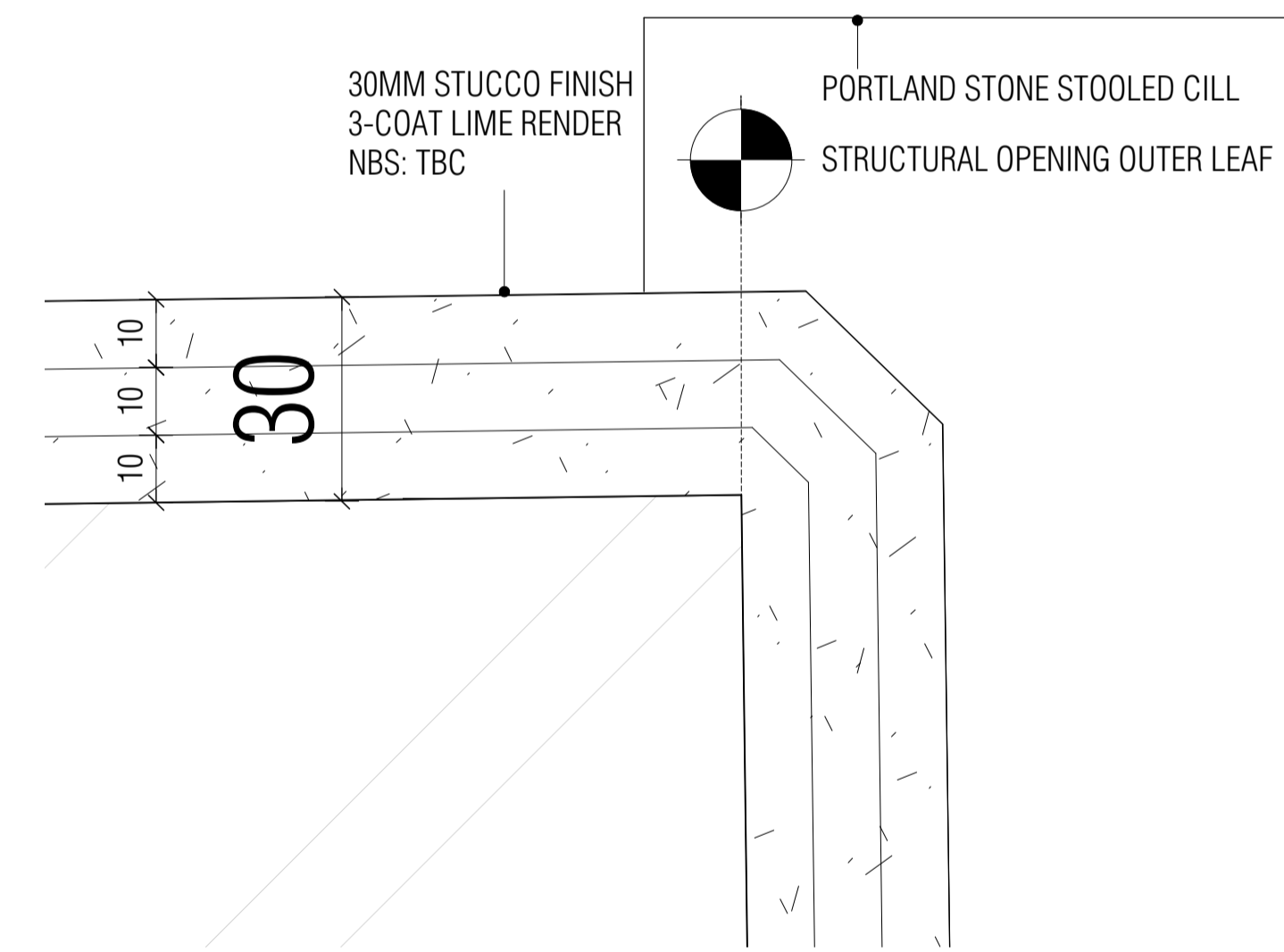


3 SECTION DETAIL
1:1

THE MIX FOR THE BASE AND MIDDLE COAT WILL BE 2:5 (HYDRAULIC LIME : COARSE SAND), AND THE TOP COAT WILL BE 1:3 (HYDRAULIC LIME : COARSE SAND). DRYING TIMES FOR THE UNDERCOAT SHOULD BE AT LEAST 2 DAYS IN SUMMER AND 7 DAYS IN WINTER (MINERVA, 2018)



2 ELEVATION 2
1:20



4 CORNER PLAN DETAIL
1:1

© CLIVE CHAPMAN ARCHITECTS. SURVEY INFORMATION IS USED UNDER SEPARATE COPYRIGHT LICENCE. REFER TO EXISTING SURVEY DRAWINGS / TITLE BLOCK FOR SURVEYORS DETAILS. ALL DIMENSIONS TO BE CHECKED ON SITE. BRACKETED DIMENSIONS ARE FOR CHECKING AND NOT FOR SETTING OUT PURPOSES. ANY DISCREPANCIES ARE TO BE REPORTED TO THE ARCHITECT BEFORE COMMENCEMENT.

Notes
See drawing HH-1000 for Construction Build Ups

Revisions	
T1	29.08.2018 Amendments from preliminary drawings to include updates to windows (WLG13,14) and door (DLG03) profiles as per Conservation Officer meeting 20.06.2018 Issued for Tender.

TENDER

Project HEATH HOUSE, HAMPSTEAD, NW3 7ET		
Drawing PROPOSED EXTERNAL STUCCO RENDER DETAILING		
Drawing No. HH-209 T1	Scale 1:20; 1:1 @ A1	Date 16.08.2018

CLIVE CHAPMAN ARCHITECTS
SUSTAINABILITY CONSULTANTS
4 EEL PIE ISLAND
TWICKENHAM MIDDX
TW20 2JY
TELEPHONE 020 8891 4837
EMAIL INFO@CCAR.CO.UK
WEBSITE WWW.CCAR.CO.UK