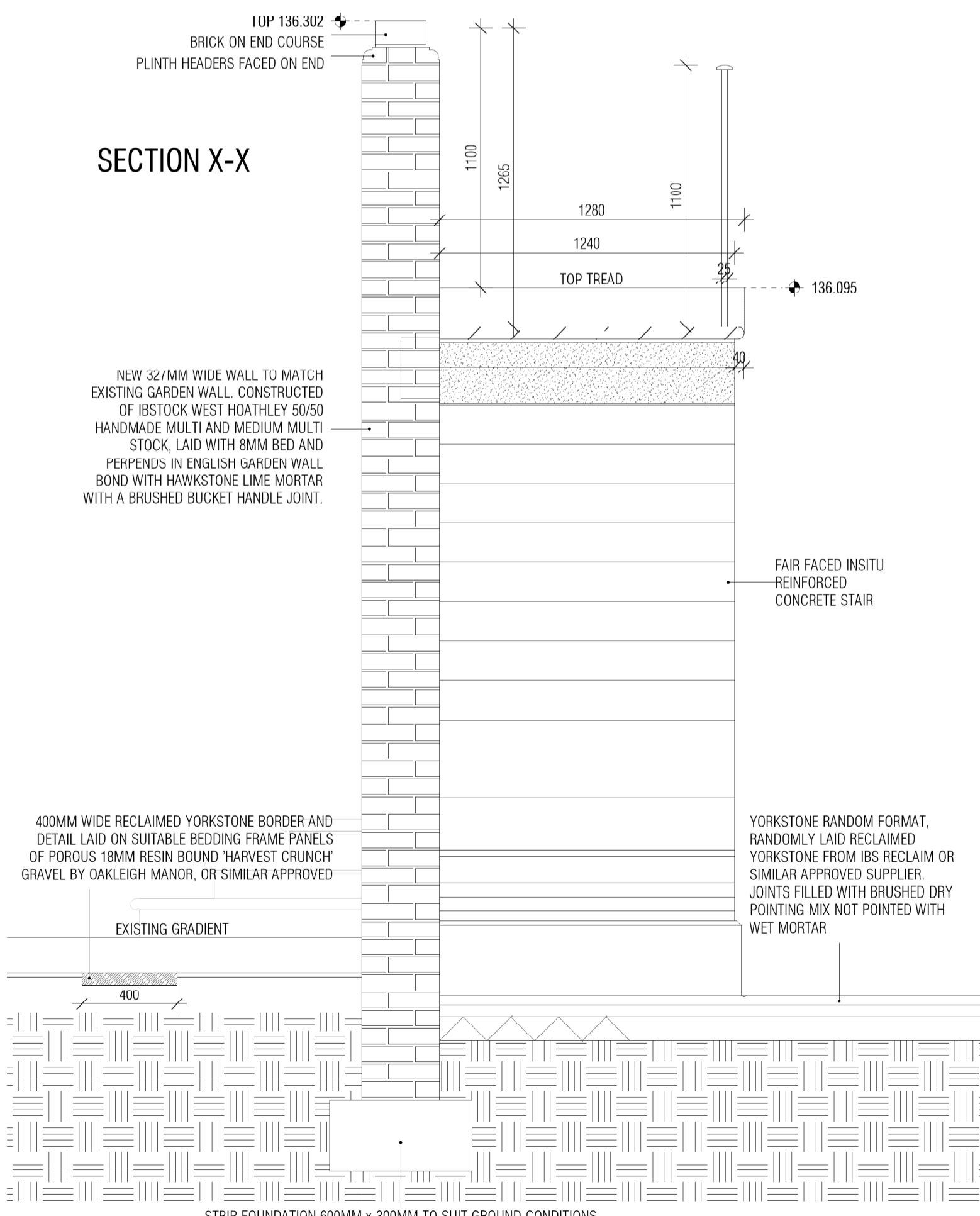


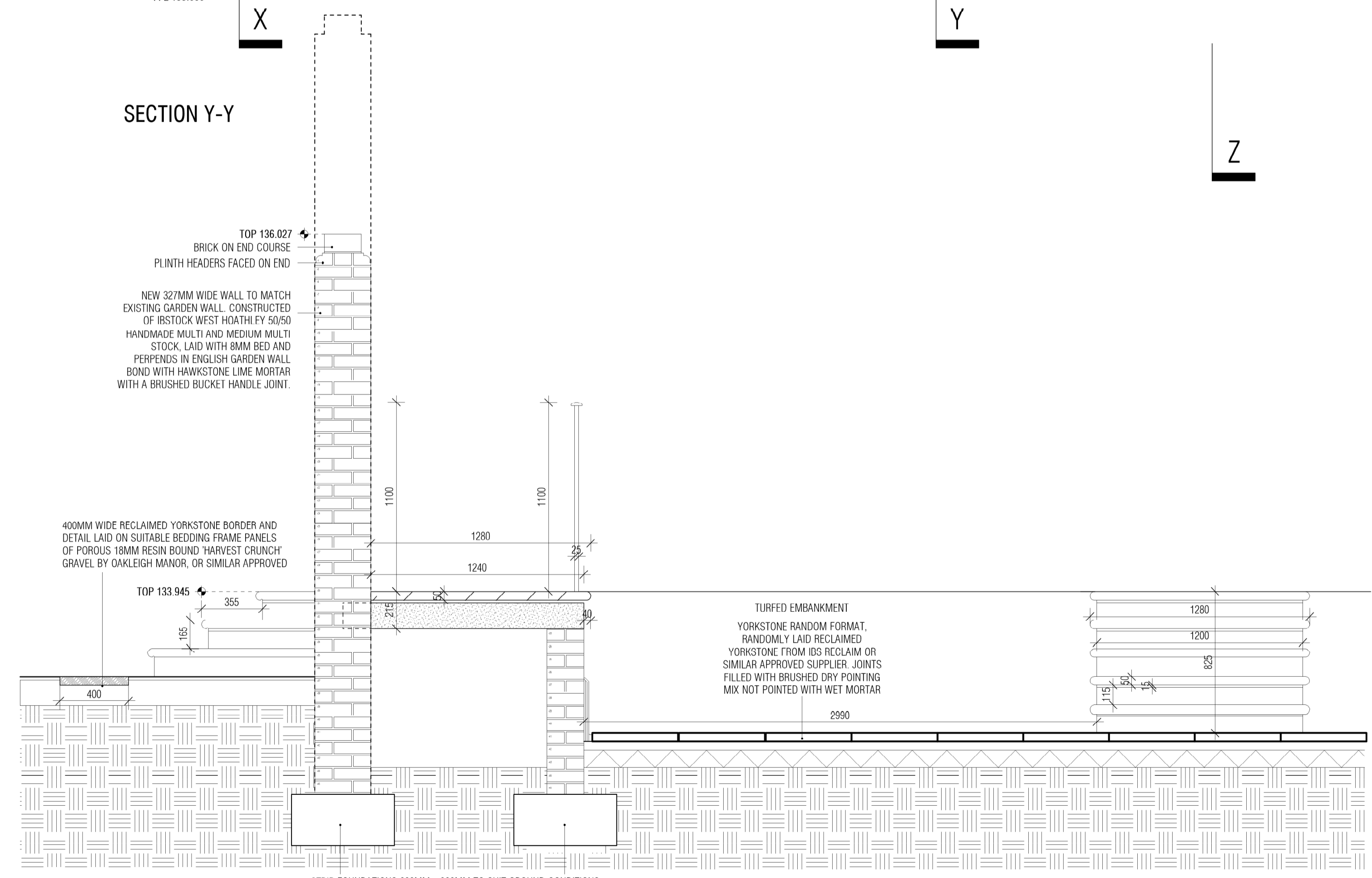
NEW 2.2M HIGH 327MM WIDE WALL TO MATCH EXISTING GARDEN WALL. CONSTRUCTED OF IBSTOCK WEST HOATHLEY 50/50 HANDMADE MULTI AND MEDIUM MULTI STOCK, LAID WITH 8MM BED AND PERPENDS IN ENGLISH GARDEN WALL BOND WITH HAWKSTONE LIME MORTAR WITH A BRUSHED BUCKET HANDLE JOINT.

SEE HH-900
DETAIL 03

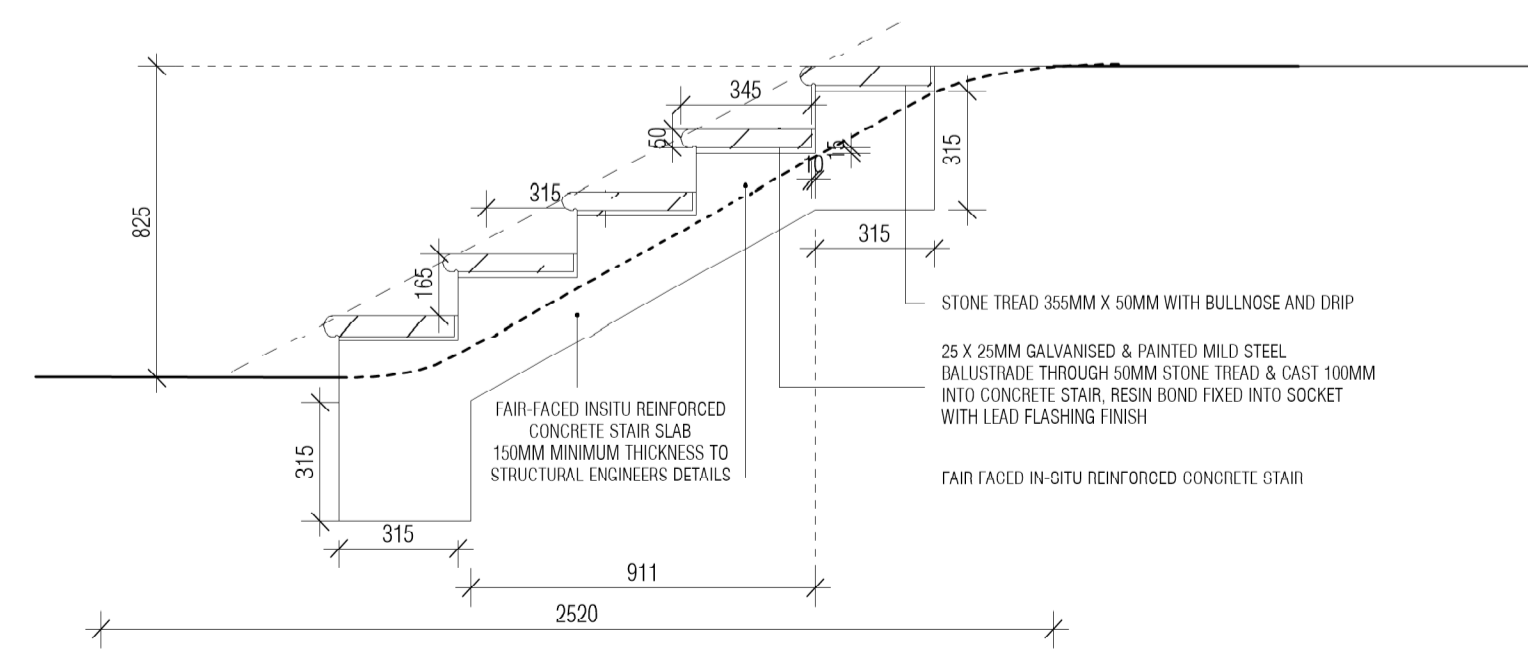
SECTION X-X



SECTION Y-Y



SECTION Z-Z



© CLIVE CHAPMAN ARCHITECTS. SURVEY INFORMATION IS USED UNDER SEPARATE COPYRIGHT LICENCE. REFER TO EXISTING SURVEY DRAWINGS / TITLE BLOCK FOR SURVEYORS DETAILS. ALL DIMENSIONS TO BE CHECKED ON SITE. BRACKETED DIMENSIONS ARE FOR CHECKING AND NOT FOR SETTING OUT PURPOSES ANY DISCREPANCIES ARE TO BE REPORTED TO THE ARCHITECT BEFORE COMMENCEMENT.

Revisions:		
T1	29.08.18	Amendments from preliminary drawings to include update to staircase railings as per Conservation officer meeting 20.06.18. Issued for Tender.

TENDER

Project HEATH HOUSE, HAMPSTEAD, NW3 7ET		
Drawing EXTERNAL WORKS - PROPOSED REAR STEPS & BOUNDARY WALL DETAILS		
Drawing No. HH-901 T1	Scale 1:20 @ A1	Date 29.01.2018

CLIVE CHAPMAN ARCHITECTS
SUSTAINABILITY CONSULTANTS
4 EEL PIE ISLAND
TWICKENHAM MIDDX
TW1 3DY
TELEPHONE 020 8891 4837
EMAIL INFO@CCAR.CO.UK
WEBSITE WWW.CCAR.CO.UK