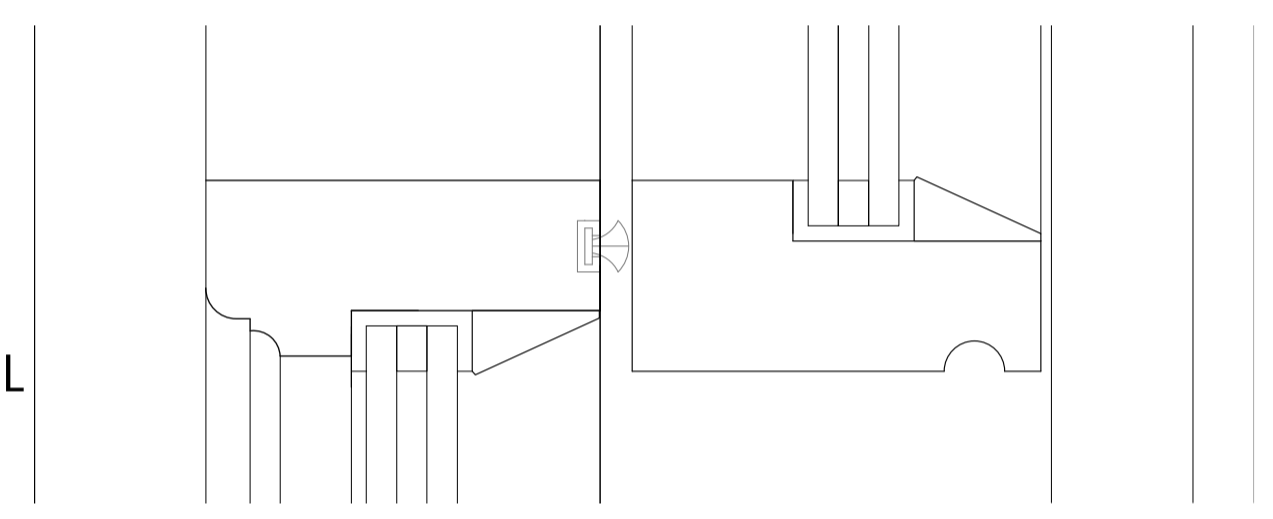
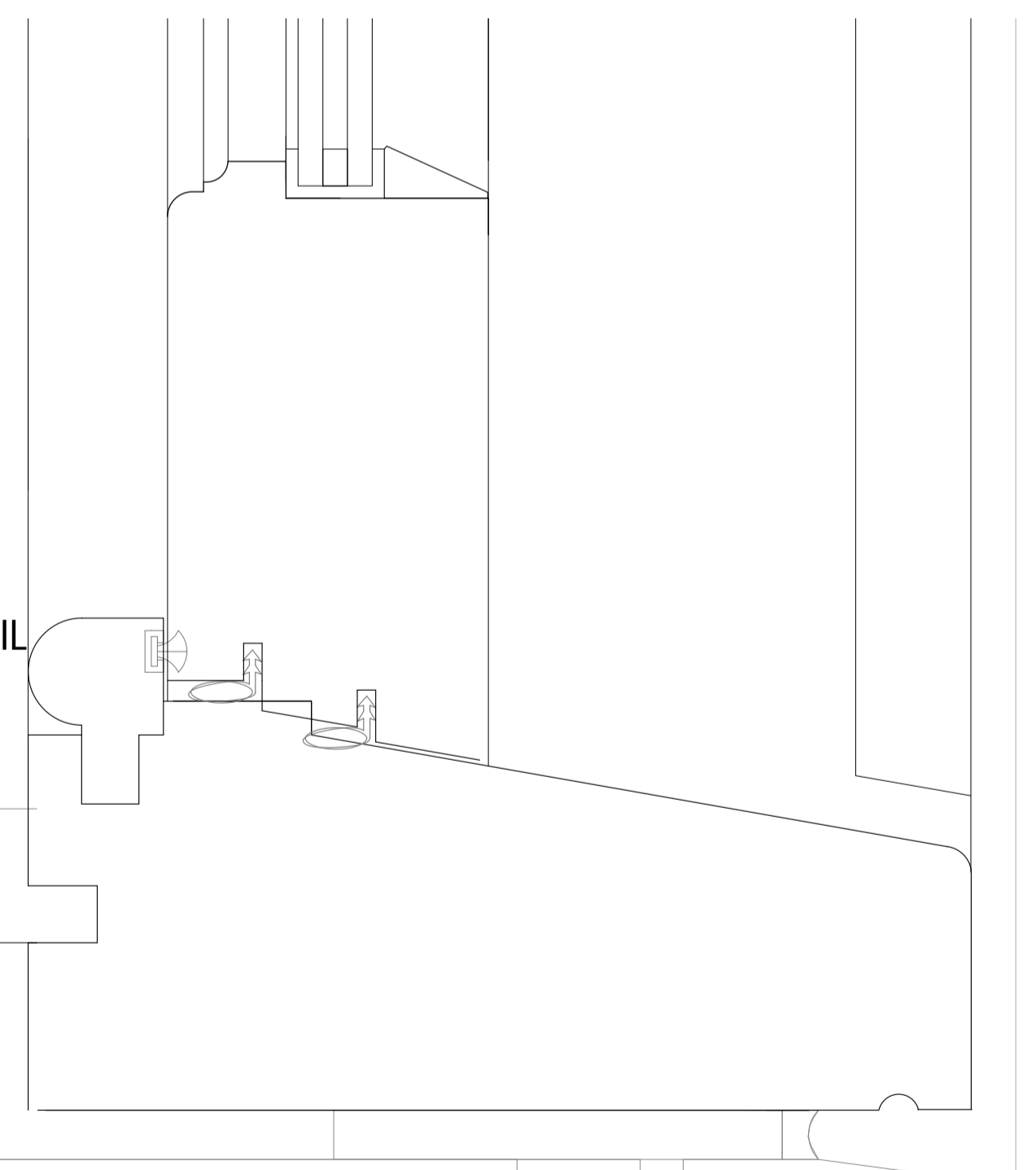


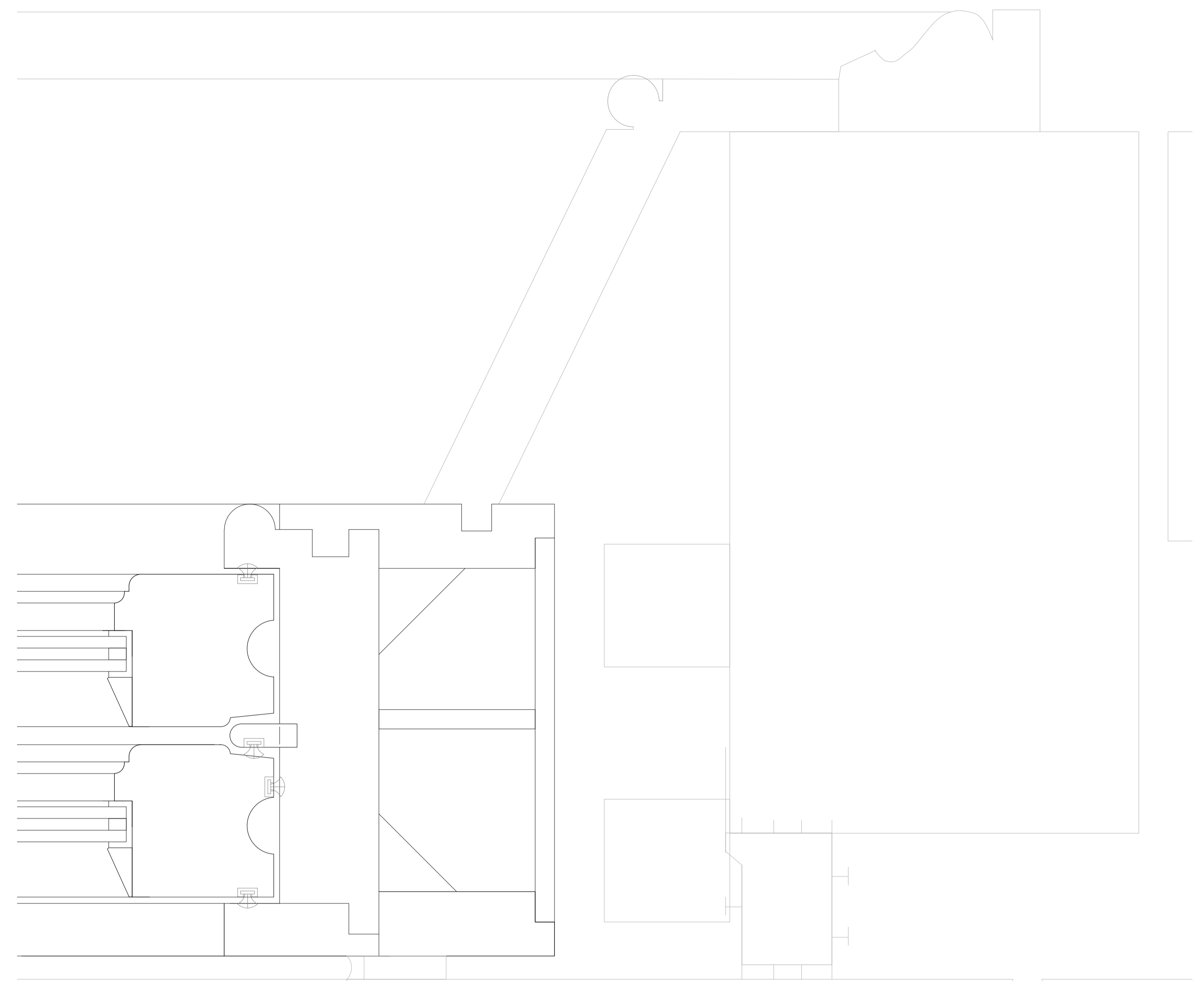
1 HEAD DETAIL



2 MEETING RAIL DETAIL

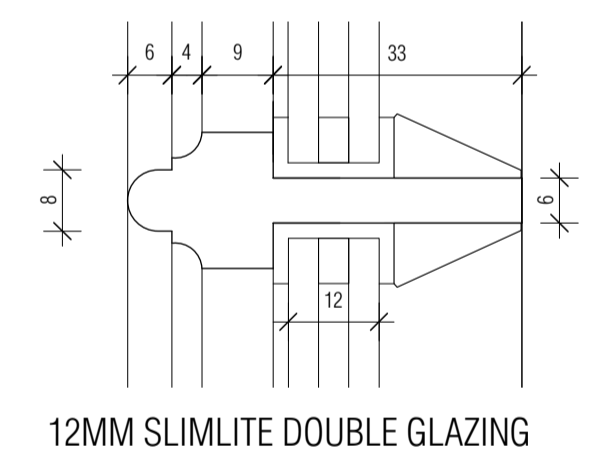


3 CILL DETAIL



5 PLAN SECTION JAMB DETAIL

4 PLAN SECTION GLAZING BEAD  
GLAZING BEAD THROUGH GLASS  
LAMBS TONGUE PROFILE  
(pg.172; item 2; No.5-13 Queen Anne's Gate; c.1770)



12MM SLIMLITE DOUBLE GLAZING

© CLIVE CHAPMAN ARCHITECTS. SURVEY INFORMATION IS USED UNDER SEPARATE COPYRIGHT LICENCE. REFER TO EXISTING SURVEY DRAWINGS / TITLE BLOCK FOR SURVEYORS DETAILS. ALL DIMENSIONS TO BE CHECKED ON SITE. BRACKETED DIMENSIONS ARE FOR CHECKING AND NOT FOR SETTING OUT PURPOSES. ANY DISCREPANCIES ARE TO BE REPORTED TO THE ARCHITECT BEFORE COMMENCEMENT.

Revisions		
T1	29.08.2018	Amendments from preliminary drawings to include updates to mouldings profiles as per Conservation Officer meeting 20.06.2018 Issued for Tender.

**TENDER**

Project HEATH HOUSE, HAMPSTEAD, NW3 7ET		
Drawing WINDOW PROFILES TYPE 4 - NEW-BUILD DOUBLE-GLAZED SASH		
Drawing No. HH-865 T1	Scale 1:1 @ A1	Date 13.08.2017

CLIVE CHAPMAN  
ARCHITECTS  
SUSTAINABILITY CONSULTANTS  
4 TELFORD ISLAND  
TWICKENHAM HIDDIX  
TW1 3DY  
TELEPHONE 020 8891 4837  
FACSIMILE 020 8744 1152  
E MAIL CC@CCAR.CO.UK