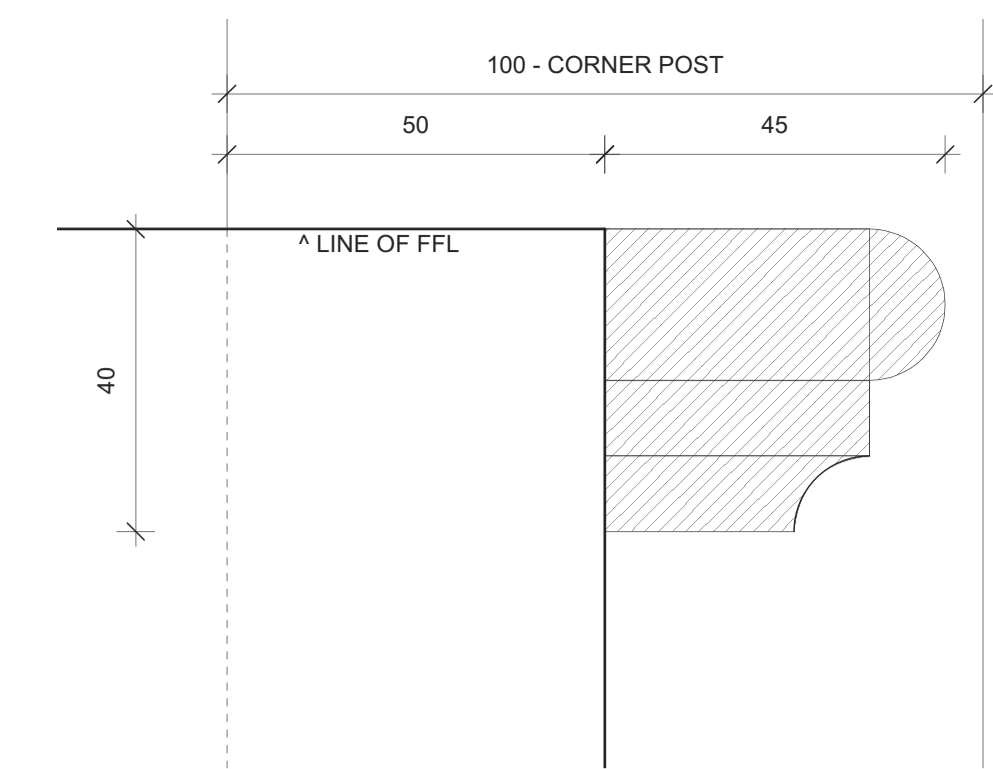
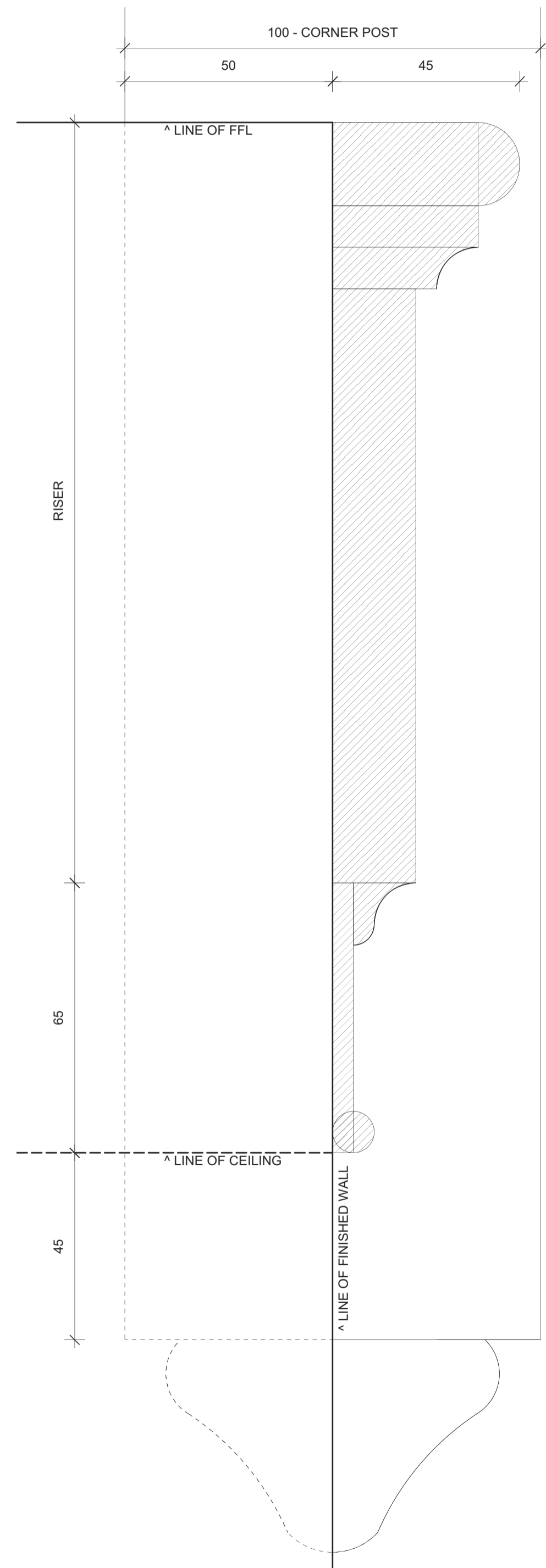


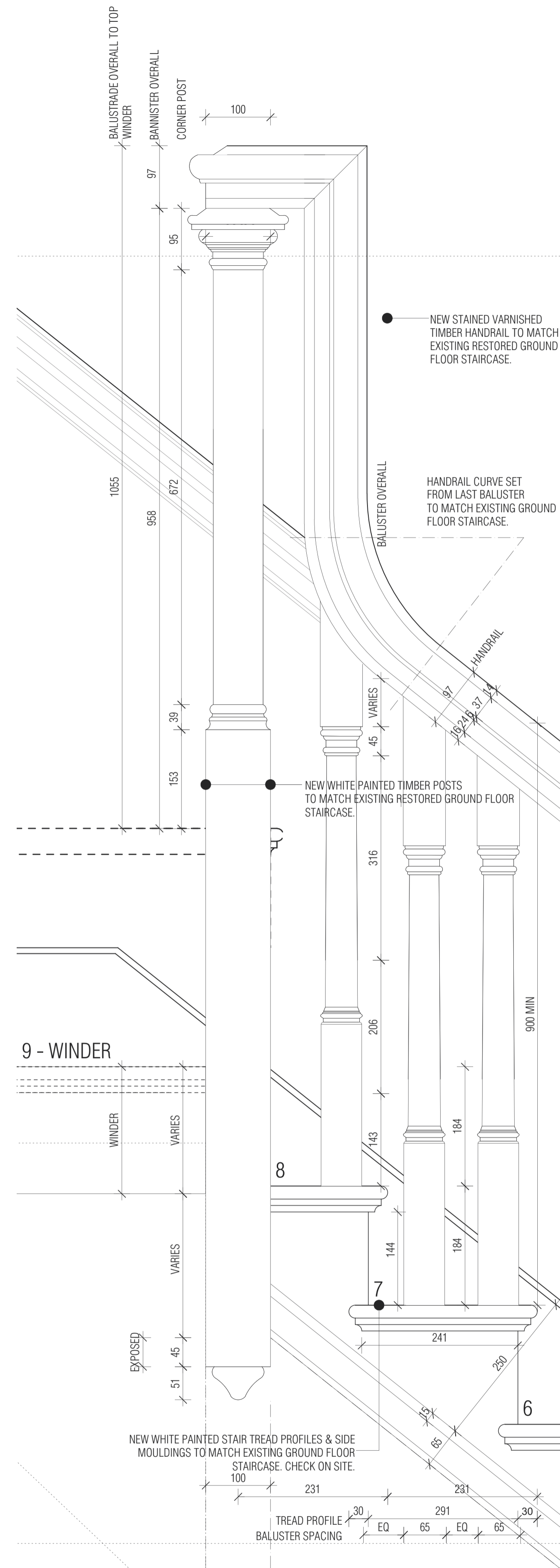
TYPICAL STAIR STRINGER DETAIL C
1:1 - (CHECK ON SITE TO MATCH EXISTING STAIR)



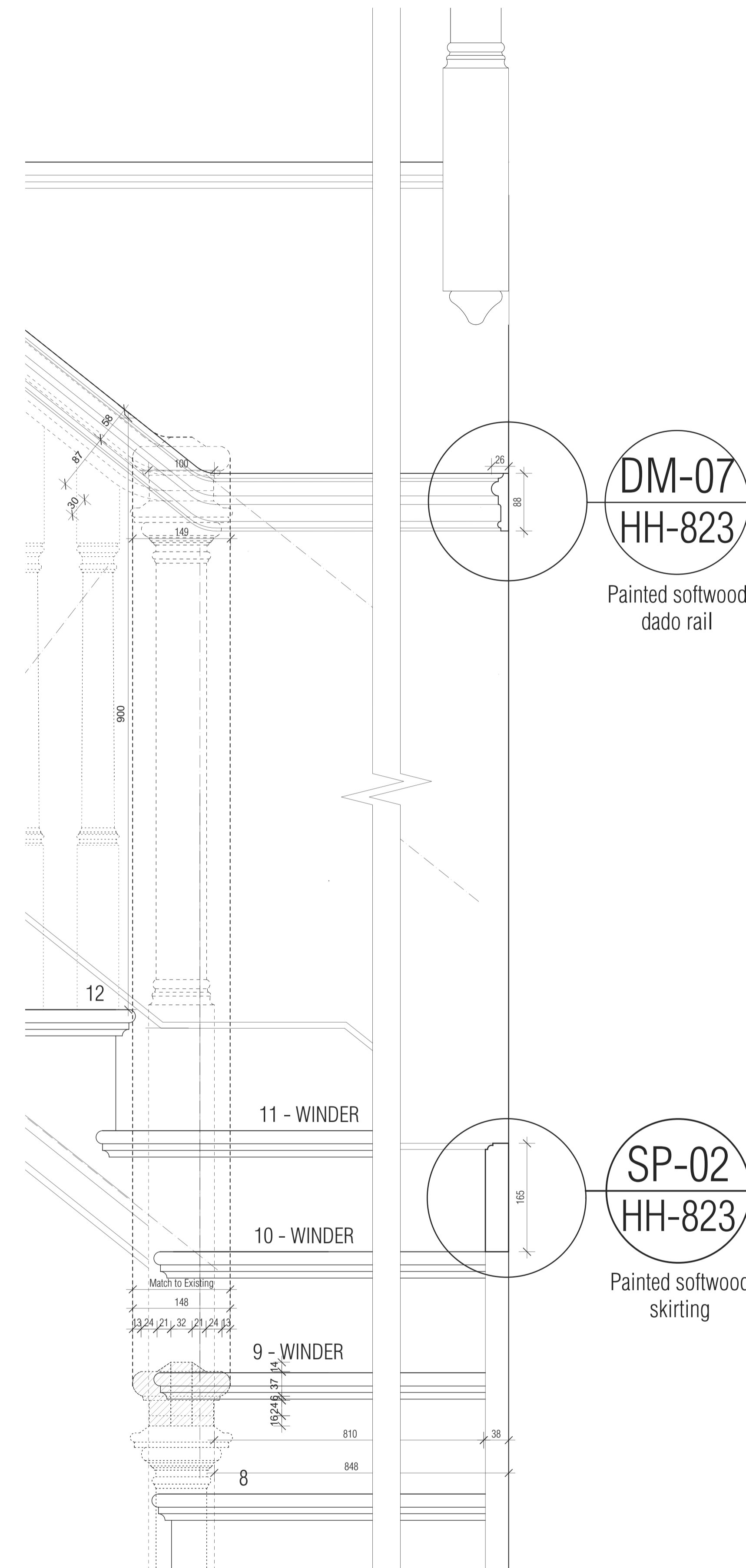
TYPICAL STAIR LANDING BALUSTRADE DETAIL
1:1



TYPICAL STAIR LANDING BALUSTRADE DETAIL D
1:1 - (CHECK ON SITE TO MATCH EXISTING STAIR)



FIRST TO SECOND FLOOR STAIR 1
1:5 - (CHECK ON SITE TO MATCH EXISTING STAIR)



FIRST TO SECOND FLOOR STAIR DETAIL 2
1:5 - (CHECK ON SITE TO MATCH EXISTING STAIR)

© CLIVE CHAPMAN ARCHITECTS. SURVEY INFORMATION IS USED UNDER SEPARATE COPYRIGHT LICENCE. REFER TO EXISTING SURVEY DRAWINGS / TITLE BLOCK FOR SURVEYORS DETAILS.
ALL DIMENSIONS TO BE CHECKED ON SITE. BRACKETED DIMENSIONS ARE FOR CHECKING AND NOT FOR SETTING OUT PURPOSES. ANY DISCREPANCIES ARE TO BE REPORTED TO THE ARCHITECT BEFORE COMMENCEMENT.

Notes
CONCEALED FIXINGS TO MANUFACTURED SPECIFICATION,
MANUFACTURER TO CHECK DETAILS ON SITE AND USE SAMPLES TO MATCH EXISTING STAIR.
FOR INTERNAL ELEVATIONS DETAILS REFER TO ROOM FINISHES SCHEDULE HH-1004

Revisions		
T1	29.08.2018	Amendments form preliminary drawings to include updates to mouldings profiles as per Conservation Officer meeting 20.06.2018 Issued for Tender.

TENDER

Project HEATH HOUSE, HAMPSTEAD, NW3 7ET		
Drawing TYPICAL STAIR DETAILS 2		
Drawing No. HH-801 T1	Scale 1:1 & 1:5 @ A1	Date 29.01.2018

CLIVE CHAPMAN
ARCHITECTS
SUSTAINABILITY CONSULTANTS
4 EEL PIE ISLAND
TWICKENHAM MDDX
TWI 3DY
TELEPHONE 020 8891 4837
EMAIL INFO@CCAR.CO.UK
WEBSITE WWW.CCAR.CO.UK