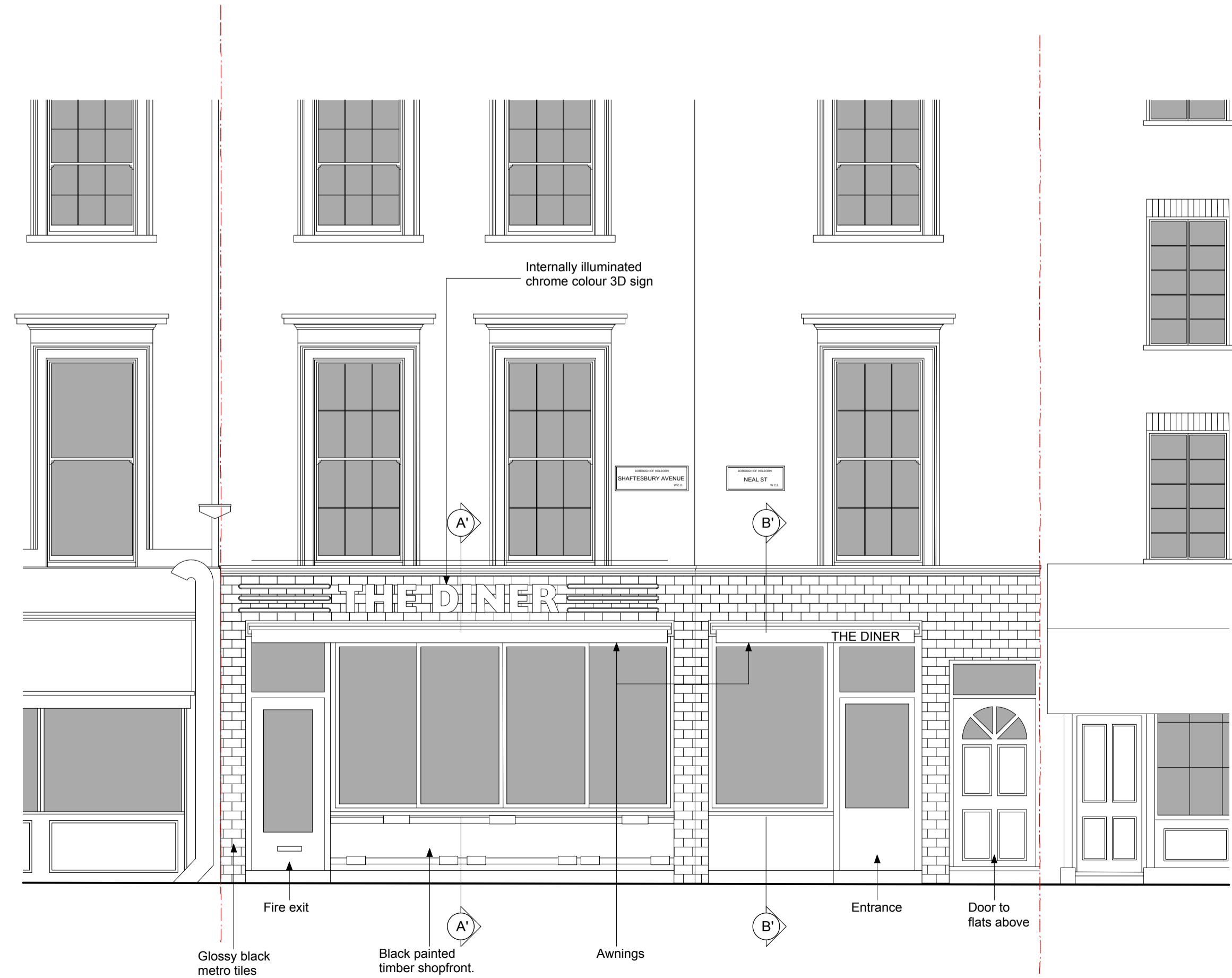
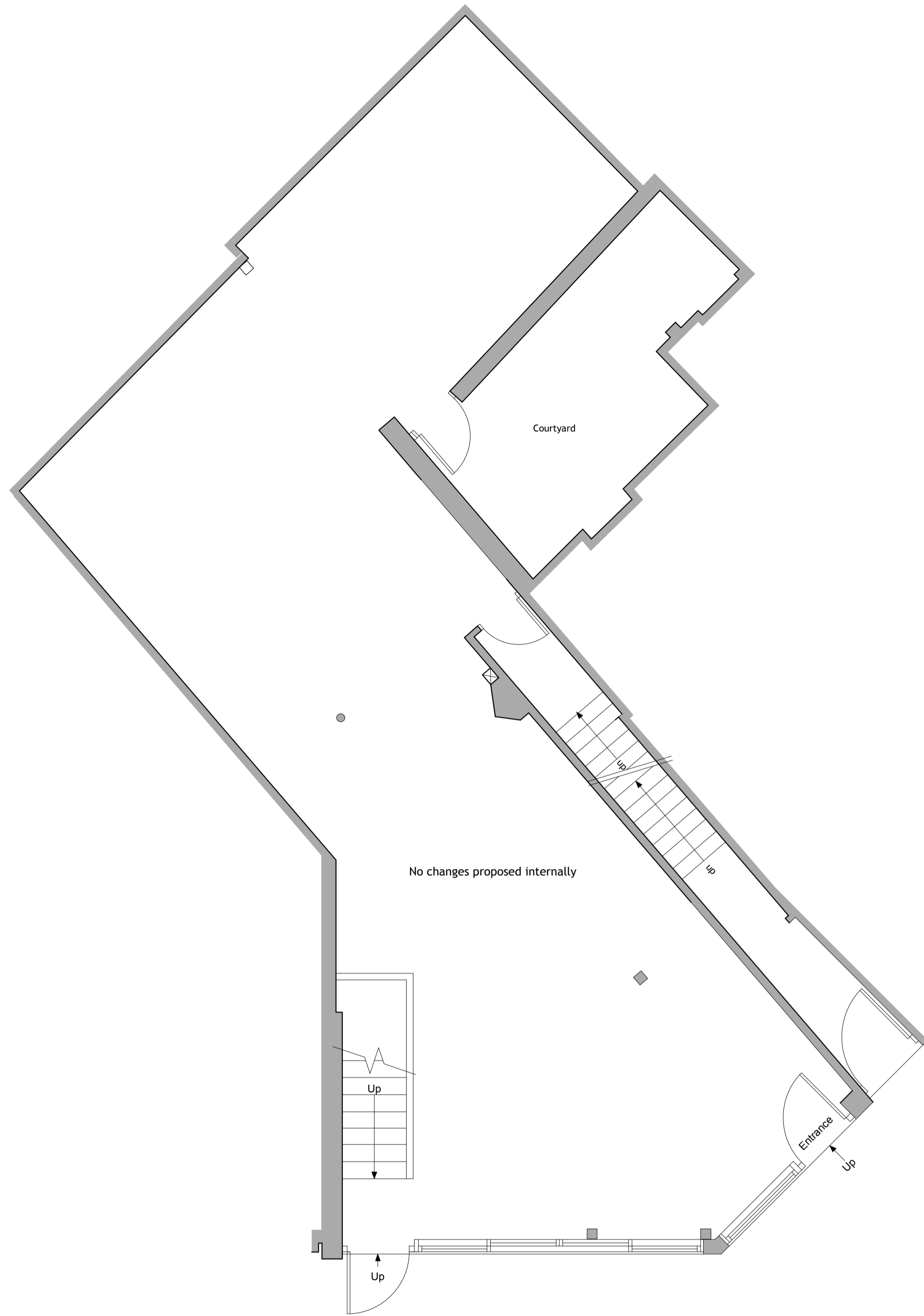


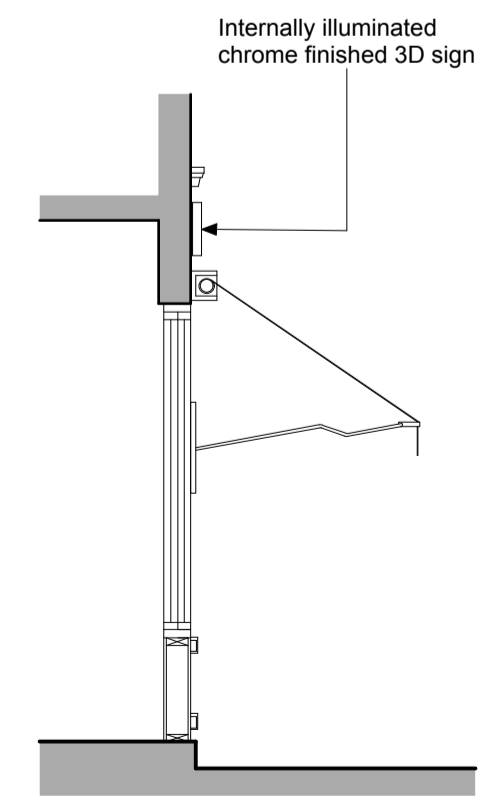
1 Front Elevation with Awnings in Open Position
Scale: 1:50



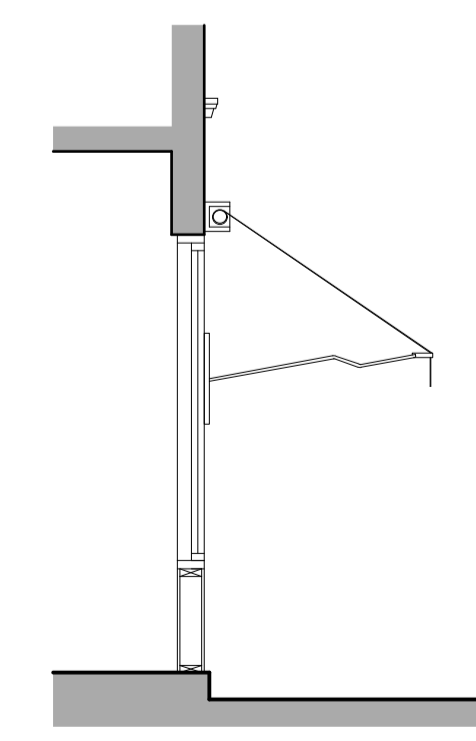
2 Front Elevation with Awnings in Closed Position
Scale: 1:50



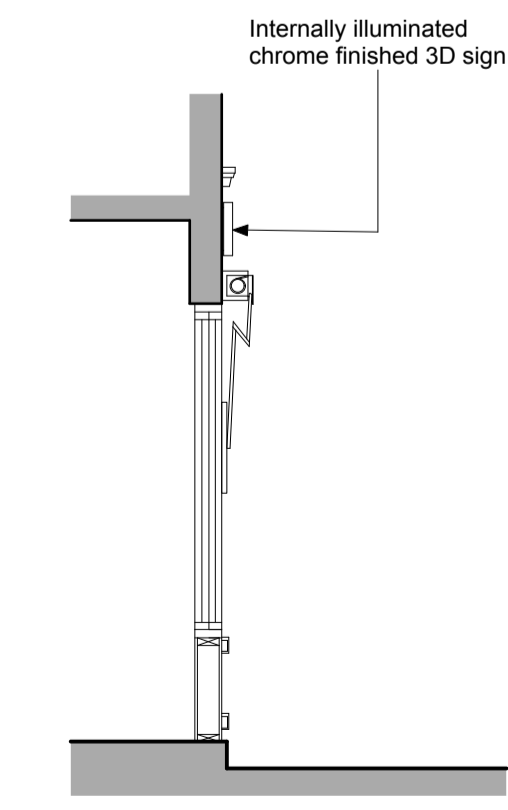
3 Ground Floor Plan (No Changes Proposed)
Scale: 1:50



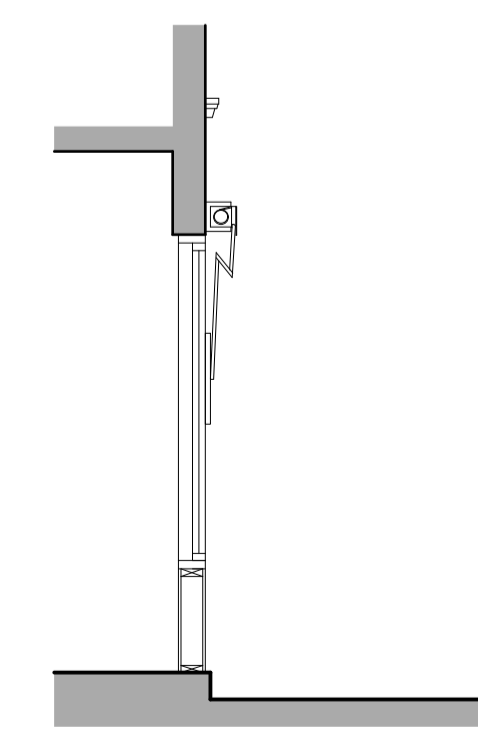
4 Section A-A
Scale: 1:50



5 Section B-B
Scale: 1:50



6 Scale: 1:50
Section A'-A'



7 Section B'-B'
Scale: 1:50



Rev	Date	Description	By
A	Aug18	Elevation, Section and Plan drawings added.	ot



46 Furze Hill House, Furze Hill, Hove East Sussex BN3 1PU
E-mail: info@yotu.co.uk Tel: 07880 902 127 - 07429 503 344

Client
Mr E C Saglik

Project
Besos
190 Shaftesbury Avenue
London WC2H 8JL

Drawing
Pre-existing Elevation and Section Drawings

Scale	Status	Date	Drawn	Checked
1:50 @ A1	Planning	Jun 2018	ot	yu

Drawing No. **078_P_03** Revision **A**