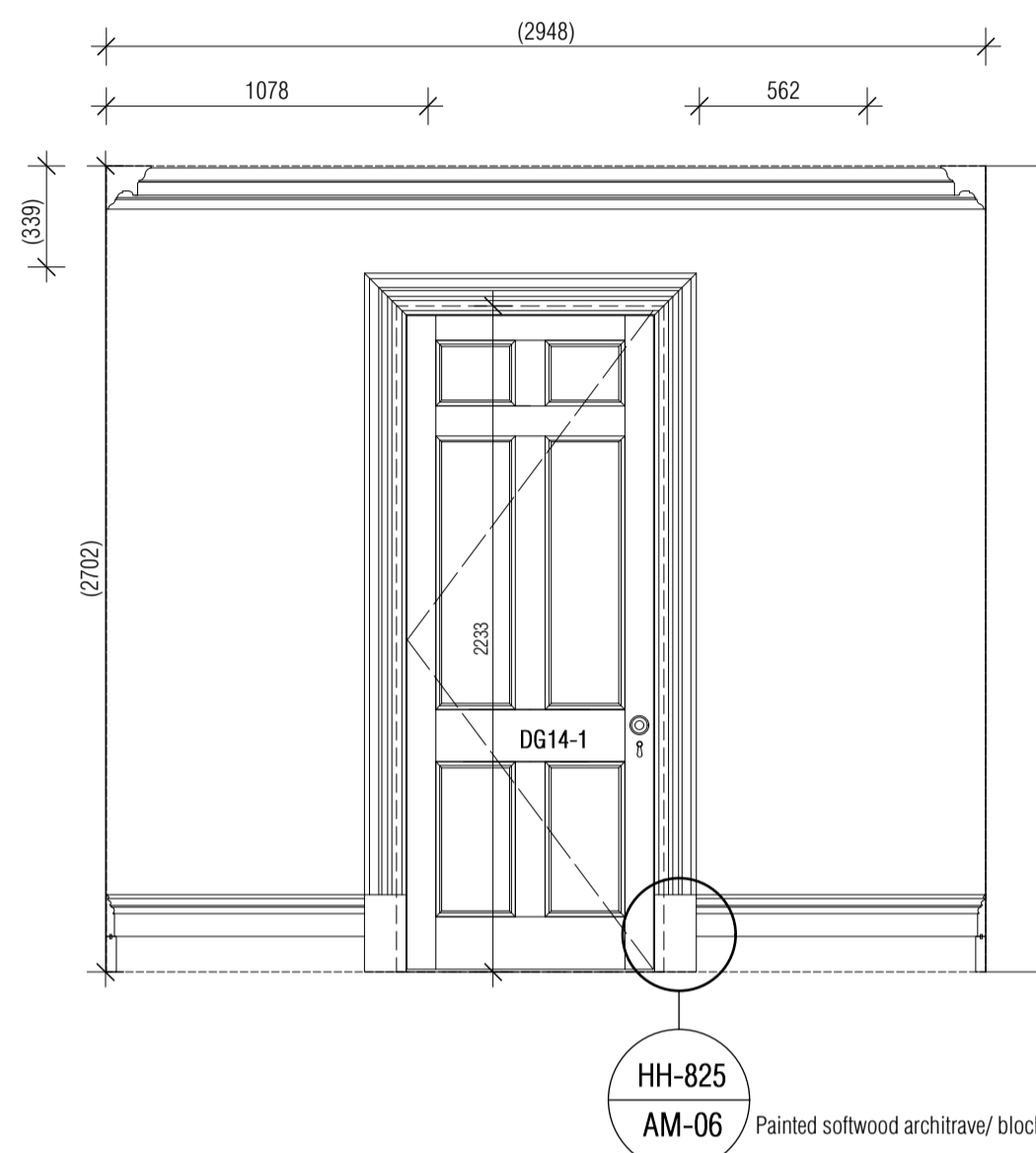
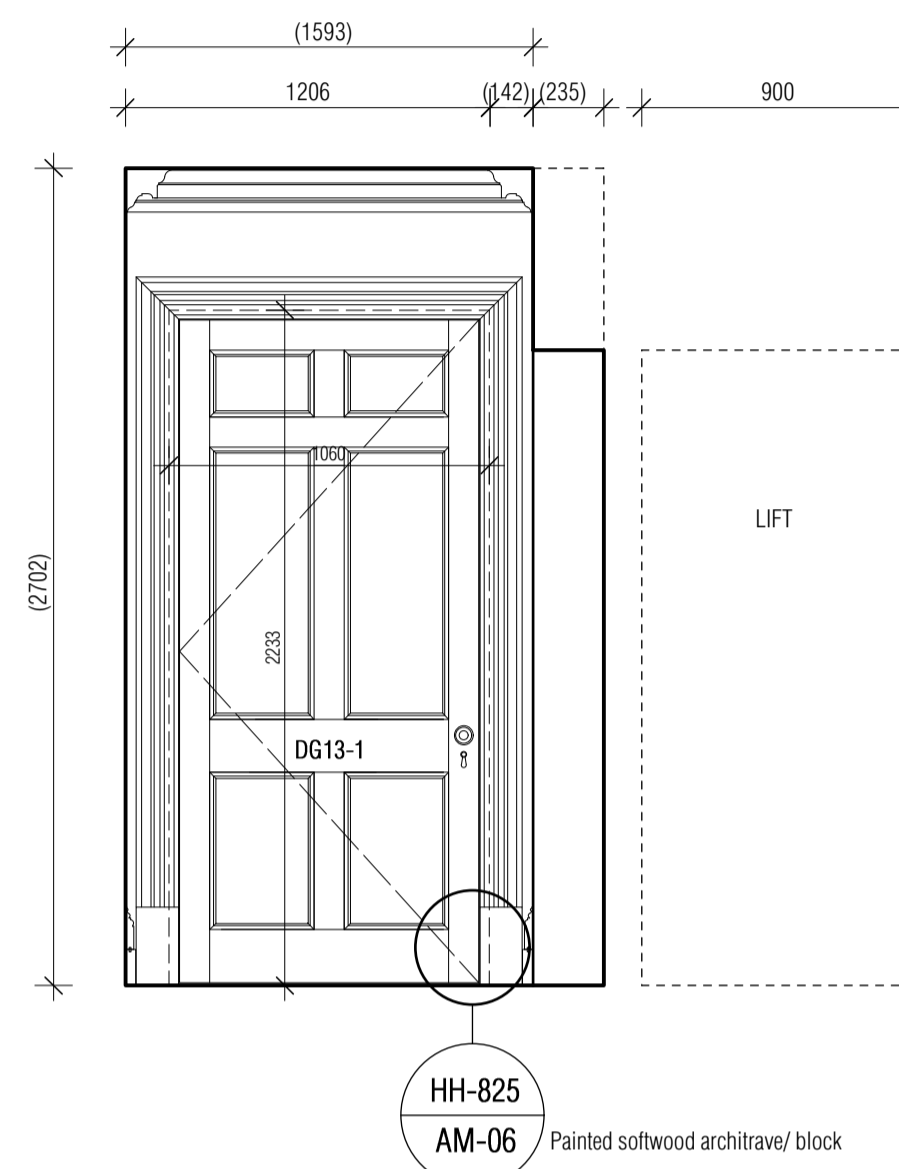


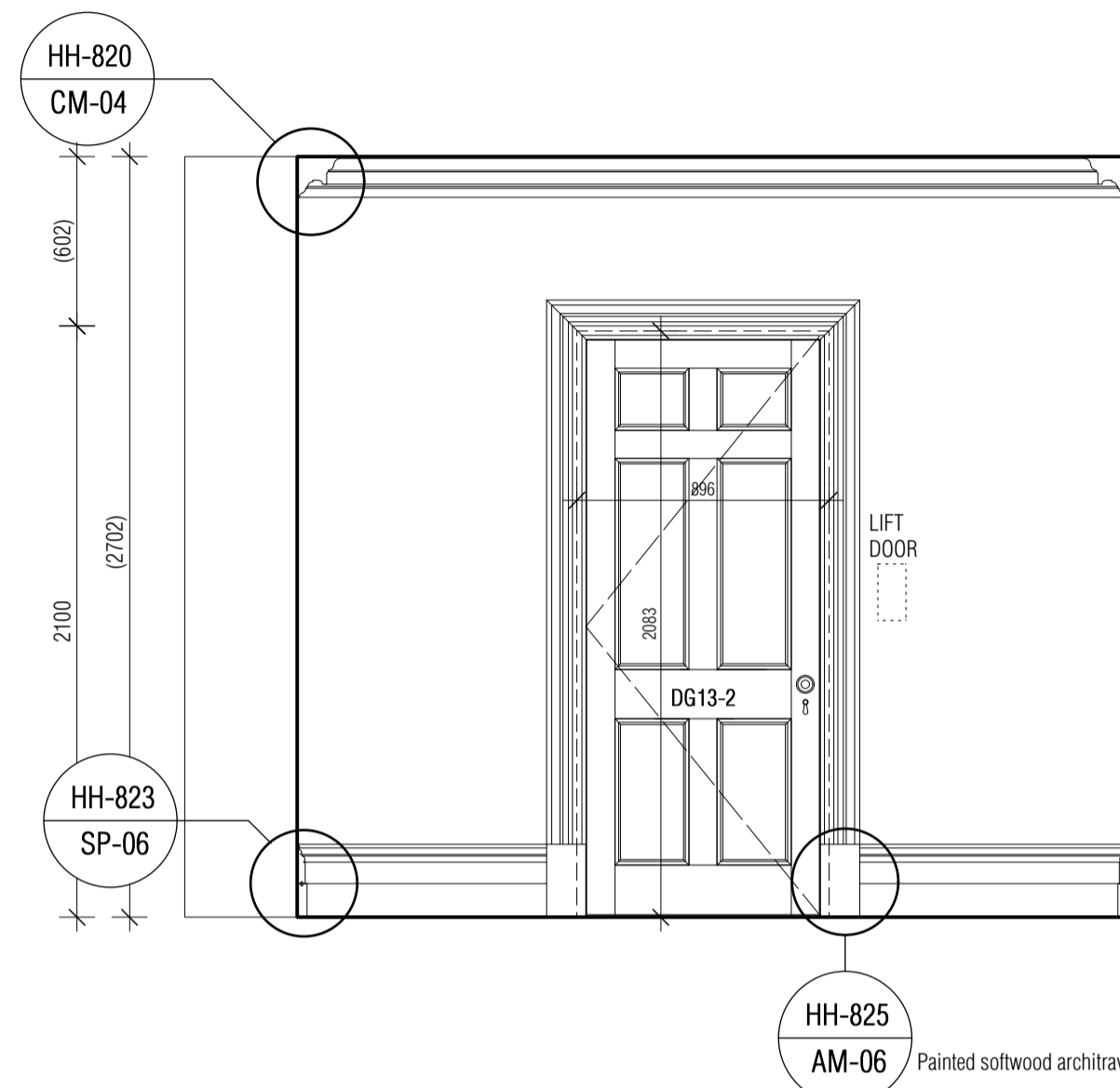
G13 LIFT LOBBY PLAN



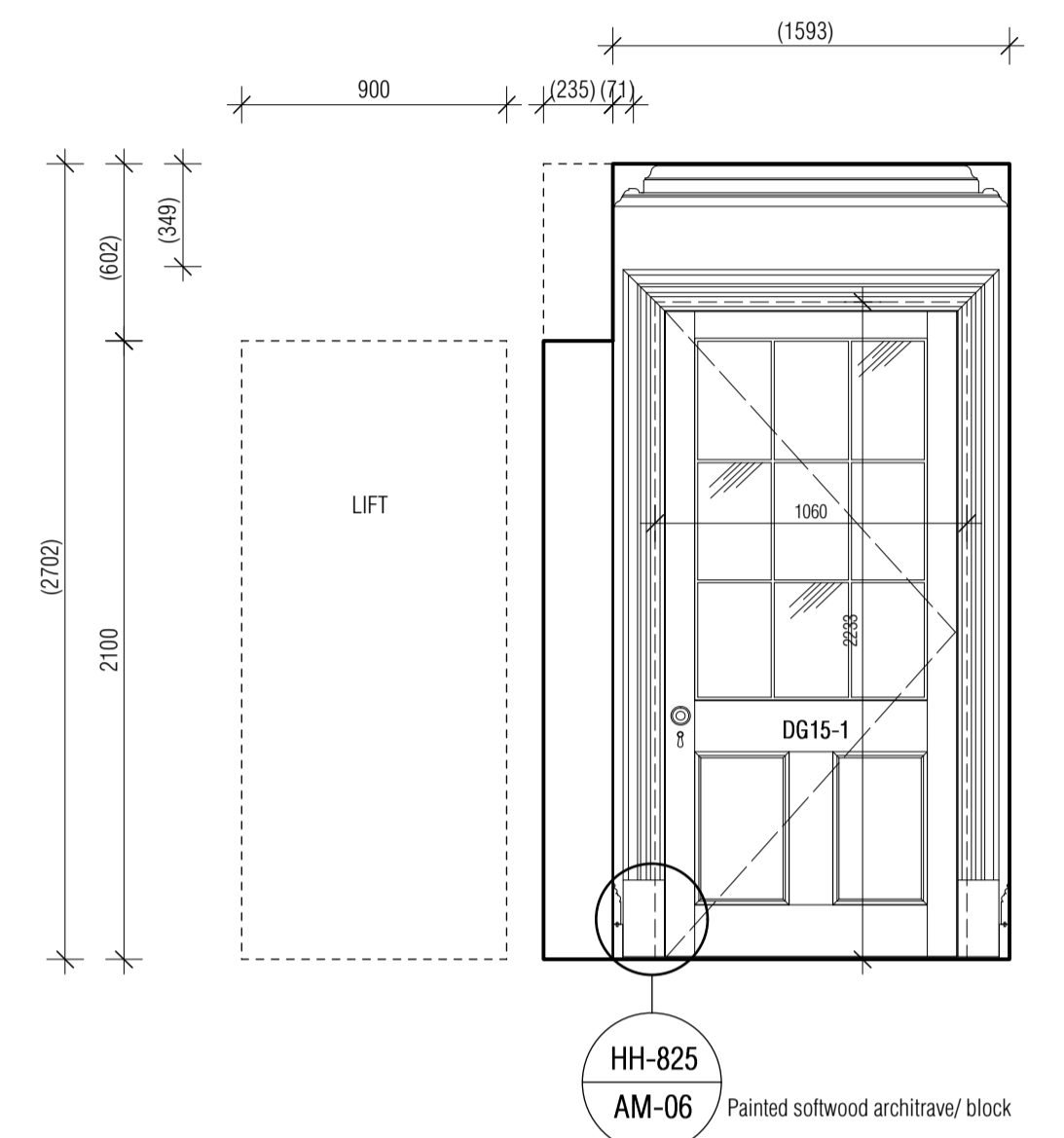
G13 LIFT LOBBY ELEVATION 1



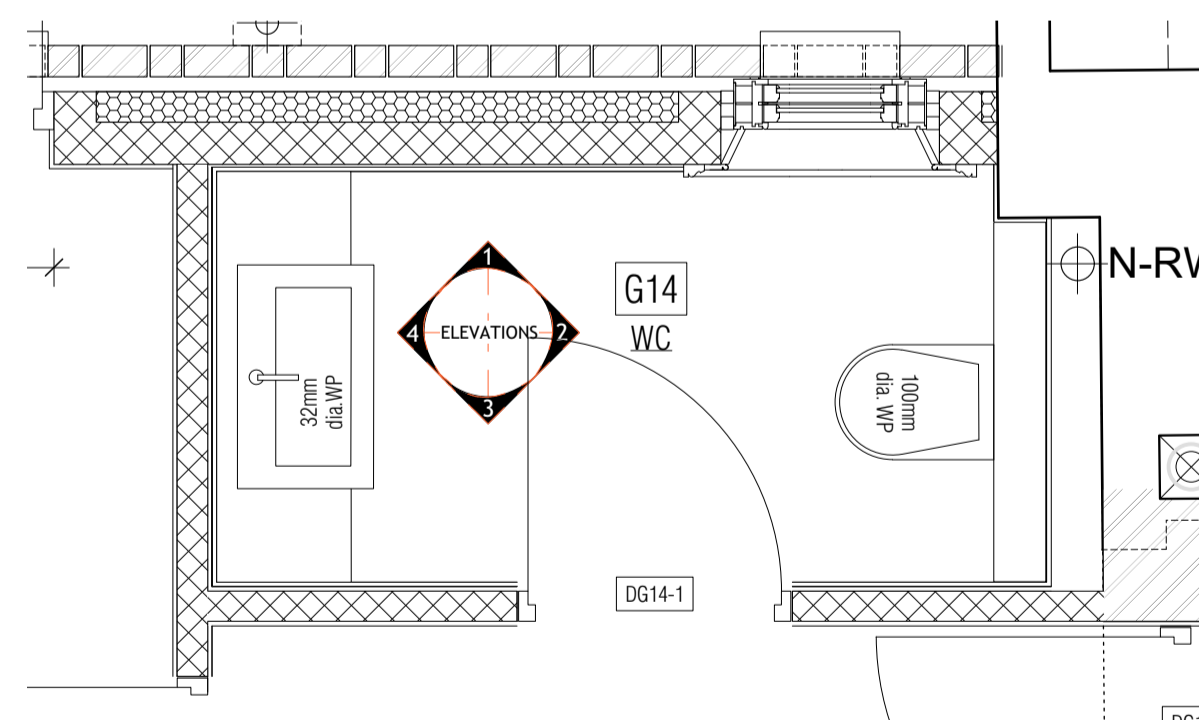
G13 LIFT LOBBY ELEVATION 2



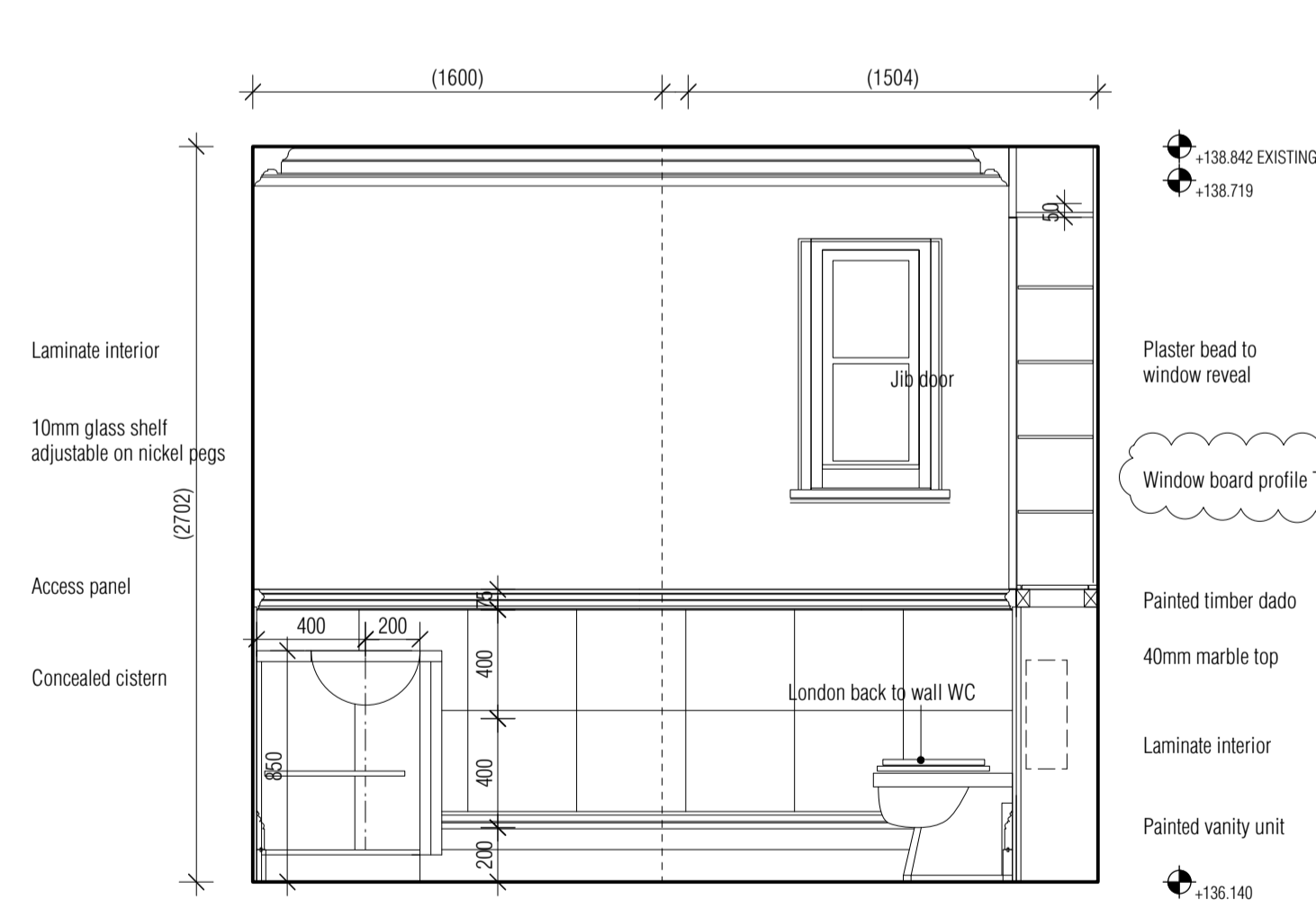
G13 LIFT LOBBY ELEVATION 3



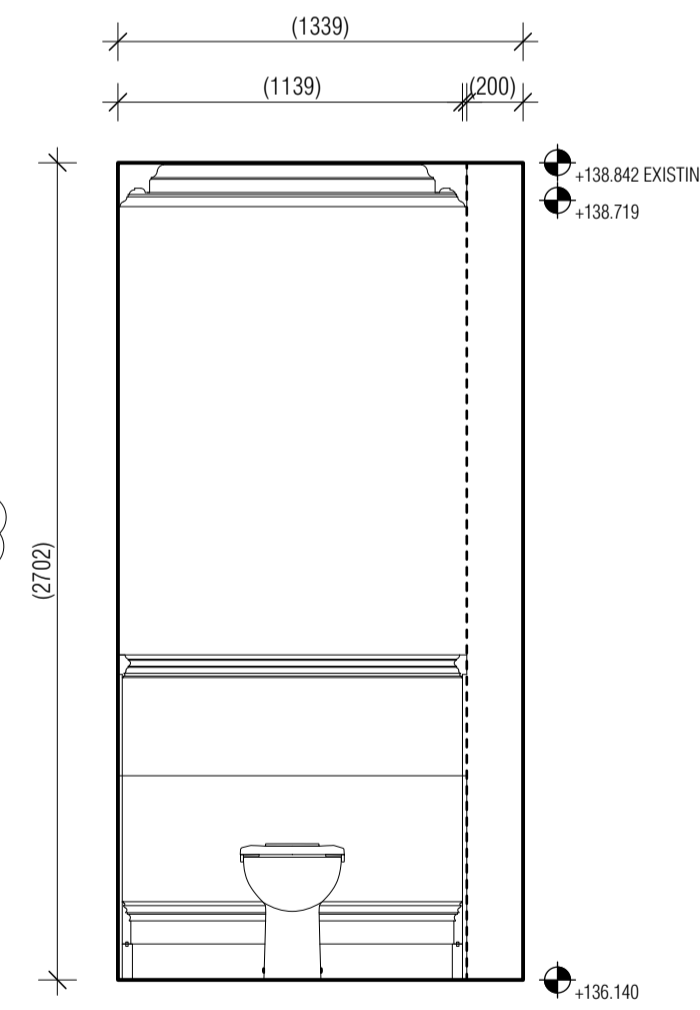
G13 LIFT LOBBY ELEVATION 4



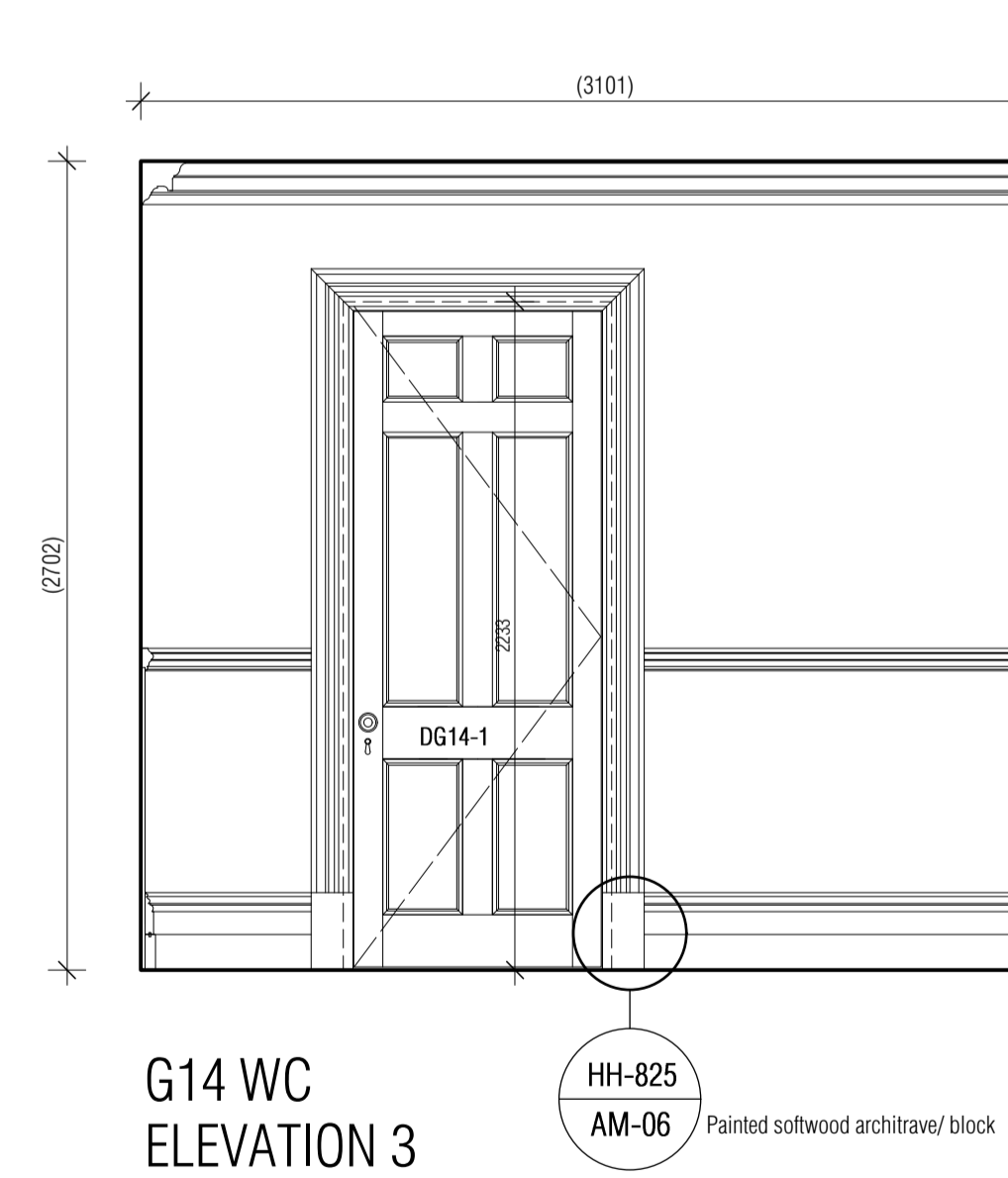
G14 WC PLAN



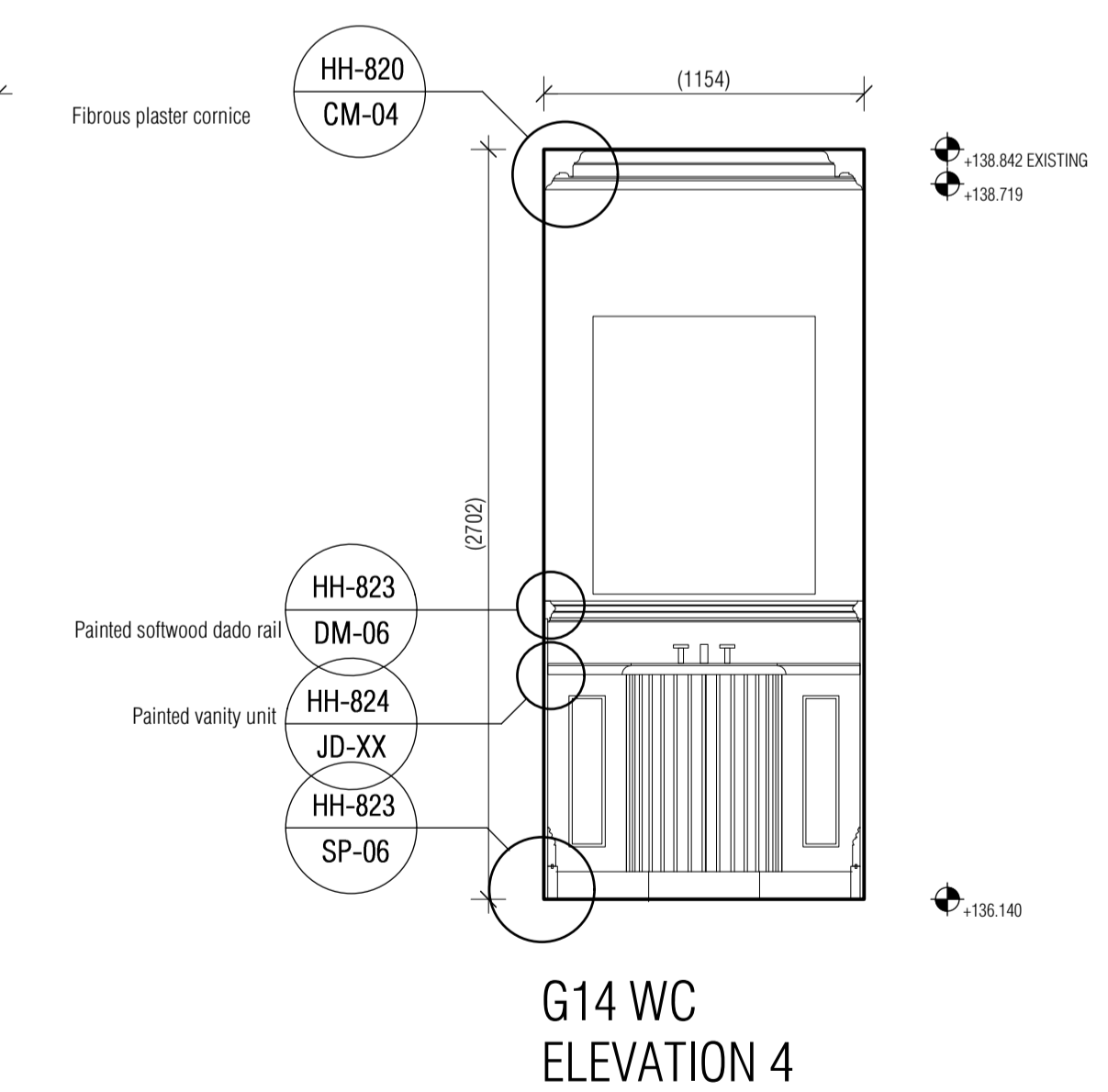
G14 WC ELEVATION 1



G14 WC ELEVATION 2



G14 WC ELEVATION 3



G14 WC ELEVATION 4

© CLIVE CHAPMAN ARCHITECTS. SURVEY INFORMATION IS USED UNDER SEPARATE COPYRIGHT LICENCE. REFER TO EXISTING SURVEY DRAWINGS / TITLE BLOCK FOR SURVEYORS DETAILS. ALL DIMENSIONS TO BE CHECKED ON SITE. BRACKETED DIMENSIONS ARE FOR CHECKING AND NOT FOR SETTING OUT PURPOSES. ANY DISCREPANCIES ARE TO BE REPORTED TO THE ARCHITECT BEFORE COMMENCEMENT.

Notes

Revisions:

| | | |
|----|------------|---|
| T1 | 24.04.2018 | Issued for Pre-Planning Application. |
| T2 | 29.08.2018 | Amendments from preliminary drawings to include update to mouldings profiles as per Conservation officer meeting 20.06.18. Issued for Tender. |

TENDER

| | | | |
|-------------|-----------|---|--|
| Project | | HEATH HOUSE, HAMPSTEAD, NW3 7ET | |
| Drawing | | G13 & G14 - LIFT LOBBY & WC - PROPOSED PLANS & ELEVATIONS | |
| Drawing No. | Scale | Date | |
| HH-347 T2 | 1:25 @ A1 | 29.01.2018 | |

CLIVE CHAPMAN ARCHITECTS
SUSTAINABILITY CONSULTANTS
4 EEL PIE ISLAND
TWICKENHAM MIDDLEX
TW1 3DY
TELEPHONE 020 8891 4837
EMAIL INFO@CCAR.CO.UK
WEBSITE WWW.CCAR.CO.UK