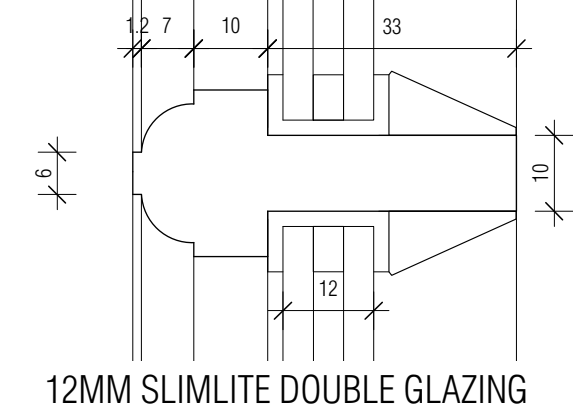


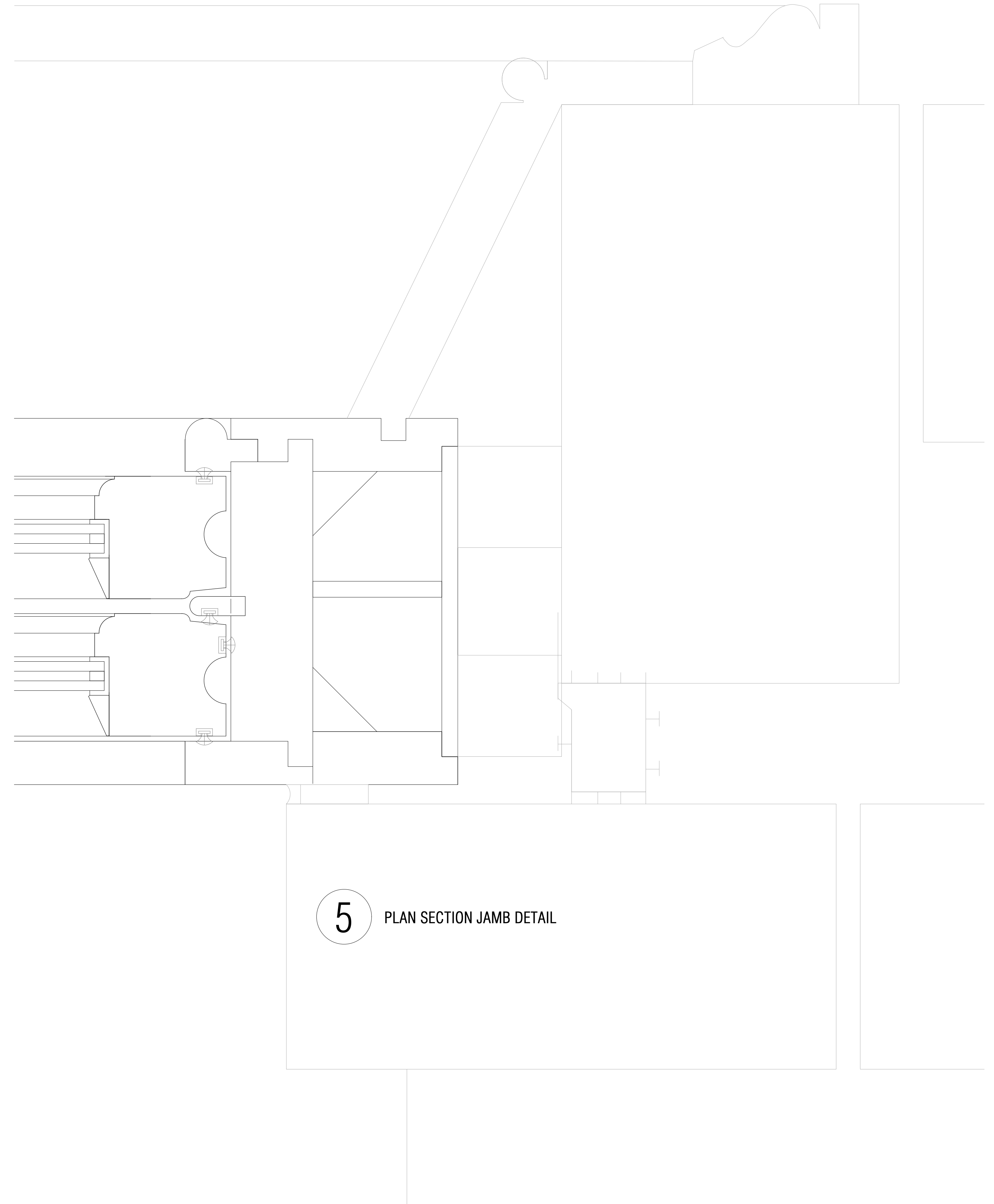
1 HEAD DETAIL

2 MEETING RAIL DETAIL

4 PLAN SECTION GLAZING BEAD
GLAZING BEAD THROUGH GLASS
OVOLO PROFILE
(pg.172; item 1; Fournier Street, Spitalfields; c.1726)



3 CILL DETAIL



5 PLAN SECTION JAMB DETAIL

© CLIVE CHAPMAN ARCHITECTS. SURVEY INFORMATION IS USED UNDER SEPARATE COPYRIGHT LICENCE. REFER TO EXISTING SURVEY DRAWINGS / TITLE BLOCK FOR SURVEYORS DETAILS. ALL DIMENSIONS TO BE CHECKED ON SITE. BRACKETED DIMENSIONS ARE FOR CHECKING AND NOT FOR SETTING OUT PURPOSES. ANY DISCREPANCIES ARE TO BE REPORTED TO THE ARCHITECT BEFORE COMMENCEMENT.

Revisions		
T1	24.04.2018	Issued for Pre-Planning Application
T2	29.08.2018	Amendments from preliminary drawings to include updates to mouldings profiles as per Conservation Officer meeting 20.06.2018 Issued for Tender.

TENDER

Project HEATH HOUSE, HAMPSTEAD, NW3 7ET		
Drawing WINDOW PROFILES TYPE 2 - 1700s DOUBLE-GLAZED SASH		
Drawing No. HH-863 T2	Scale 1:1 @ A1	Date 13.08.2017

CLIVE CHAPMAN
ARCHITECTS
SUSTAINABILITY CONSULTANTS
4 FLEET ISLAND
TWICKENHAM HIDDIX
T W I 3 D Y
TELEPHONE 020 8891 4837
FACSIMILE 020 8744 1152
E MAIL CC@CCAR.CO.UK