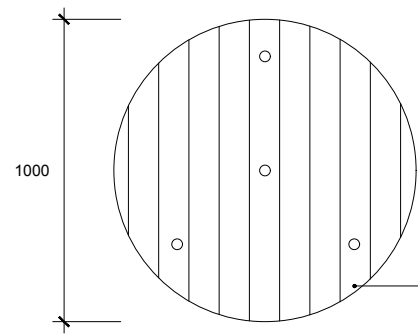


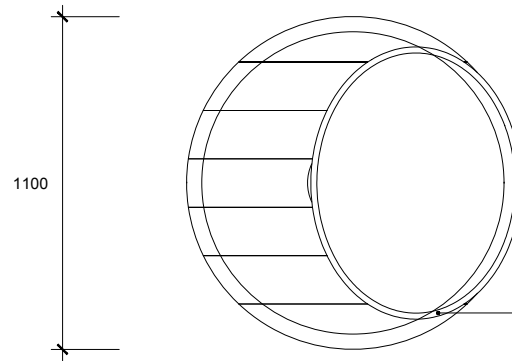
No dimensions are to be scaled from this drawing.  
 All dimensions are to be checked on site.  
 Area measurements for indicative purposes only.

This drawing is the property of Exterior Architecture Ltd.  
 No part of the drawing may be reproduced in any manner without  
 permission from Exterior Architecture Ltd.



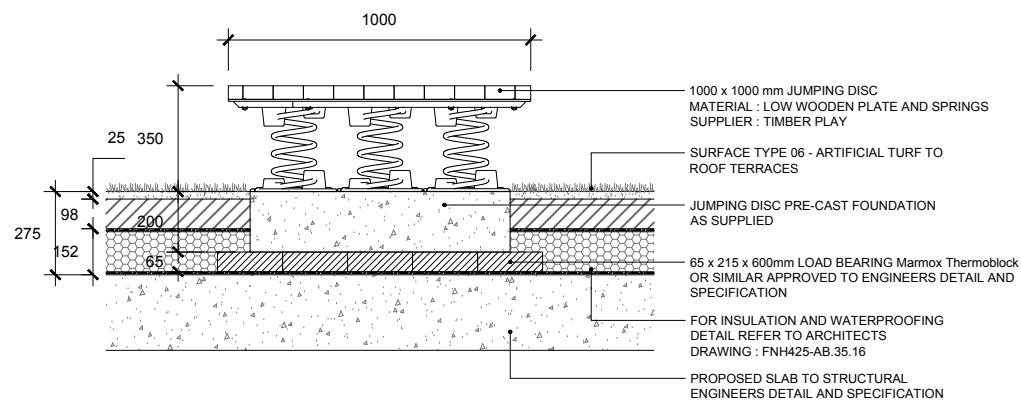
1000 x 1000 mm JUMPING DISC  
 MATERIAL : LOW WOODEN PLATE AND SPRINGS  
 SUPPLIER : TIMBER PLAY

01 PLAY ELEMENT 04 - JUMPING DISK  
 477 PLAN SCALE 1:25

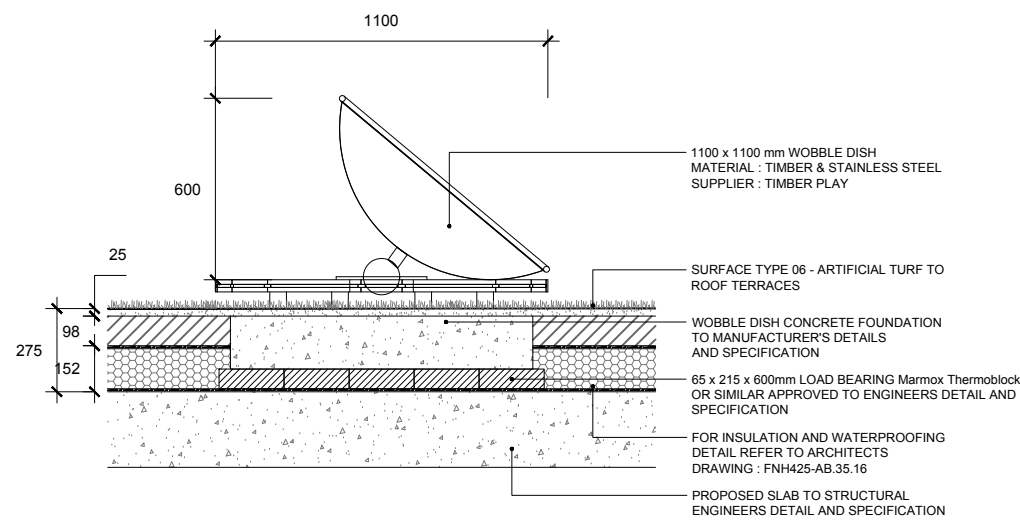


1100 x 1100 mm WOBBLE DISH  
 MATERIAL : TIMBER & STAINLESS STEEL  
 SUPPLIER : TIMBER PLAY

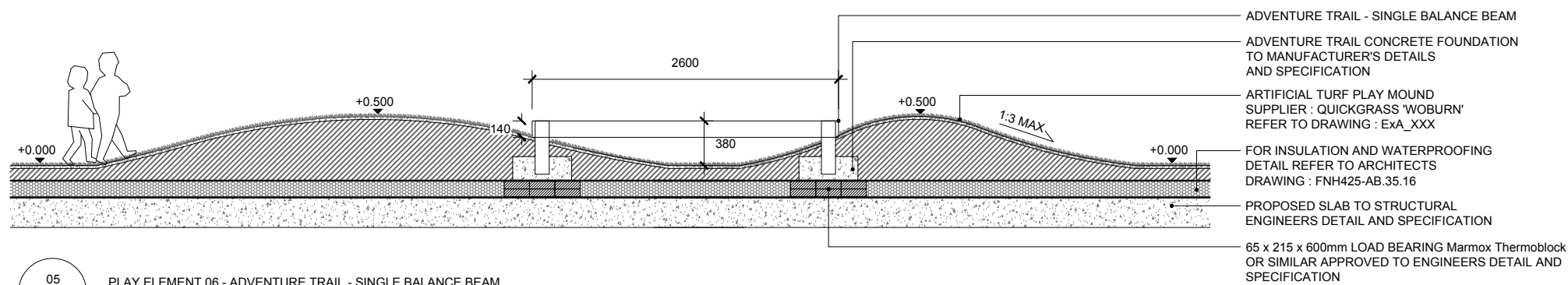
03 PLAY ELEMENT 05 - WOBBLE DISH  
 477 PLAN SCALE 1:25



02 PLAY ELEMENT 04 - JUMPING DISK  
 477 SECTION SCALE 1:25



04 PLAY ELEMENT 05 - WOBBLE DISH  
 477 SECTION SCALE 1:25



05 PLAY ELEMENT 06 - ADVENTURE TRAIL - SINGLE BALANCE BEAM  
 477 SECTION SCALE 1:50

Scale as shown

Client: **Fairview**  
 NEW HOMES Ltd.

Rev	Description	Date
-	-	-
-	-	-
-	-	-

**EXTERIOR ARCHITECTURE**  
 LONDON: Studio 1S, Hewlett House, Havelock Terrace, London, SW8 4AS  
 MANCHESTER: Studio 537, The Royal Exchange, St Anns Square, Manchester, M2 7DH  
 E-Mail: office@exteriorarchitecture.com  
 Web: www.exteriorarchitecture.com

Project title  
**CENTRIC CLOSE**

Drawing title  
**PLAY EQUIPMENT 04-06**

Issued By	London	T: 020 7978 2101
Scale	AS SHOWN	Drawn EA
Status	PLANNING	Checked PW
Date	13.10.2017	Approved LP
Drawing number	EXA_1643_PL_477	Revision
		-

S:\PROJECTS\2016\1643\_CENTRIC\_CLOSE\01 CAD\02 SHEET LAYOUT\EXA\_1643\_PL\_477.DWG