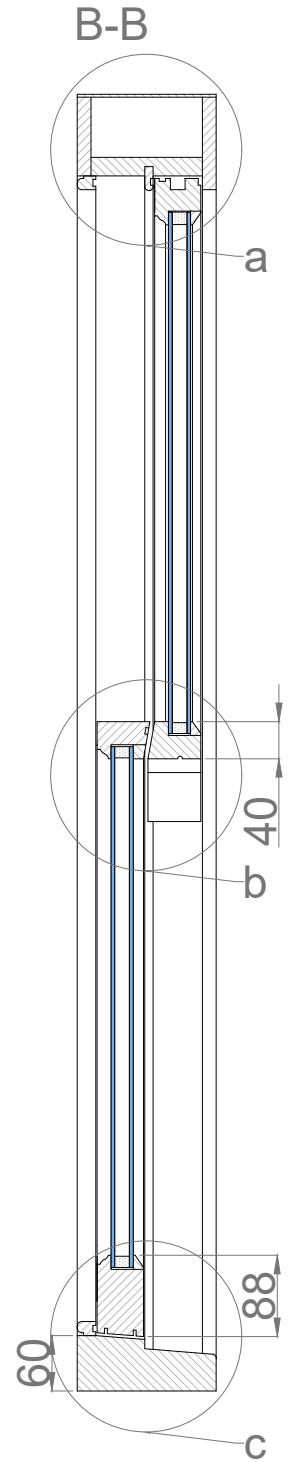
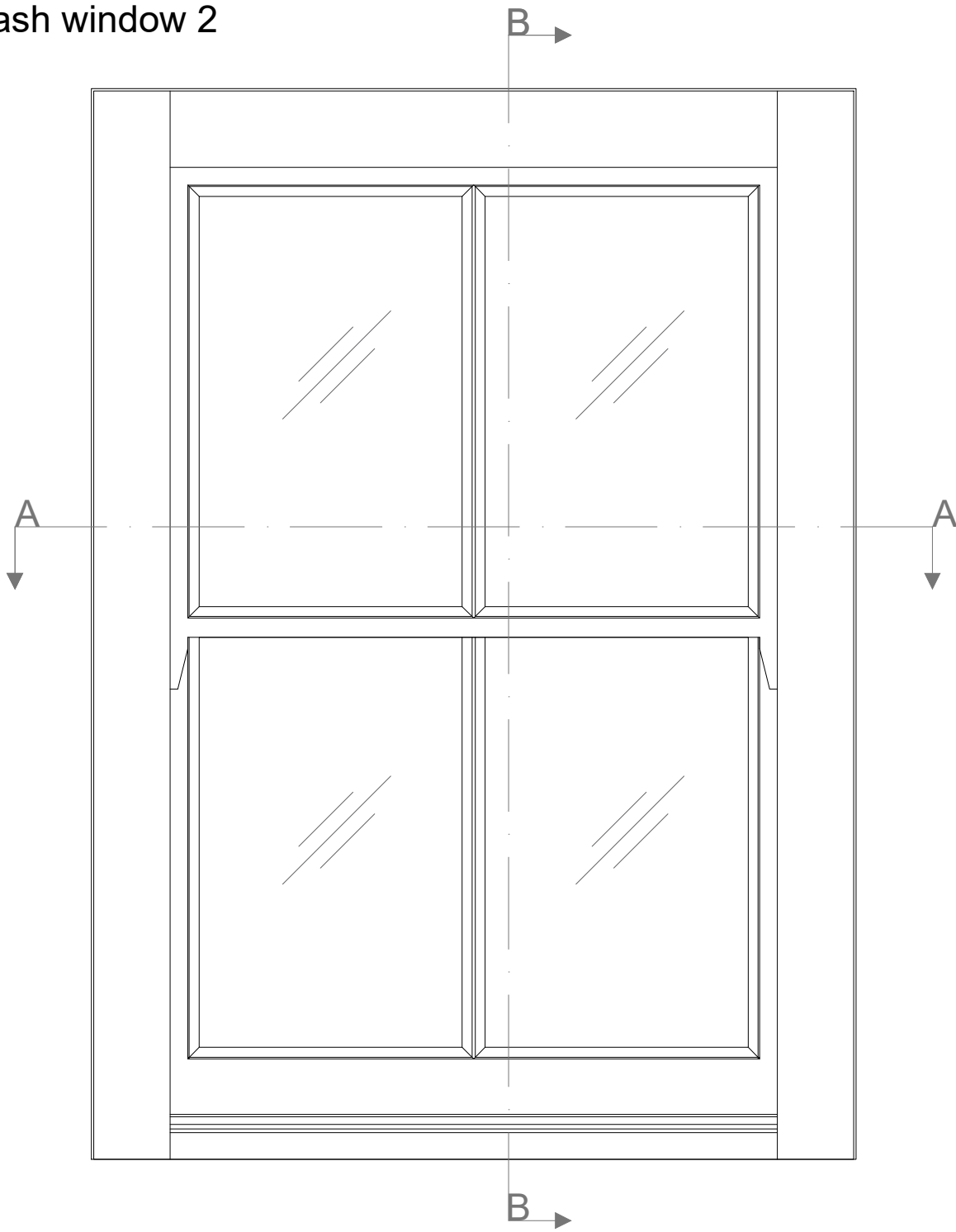
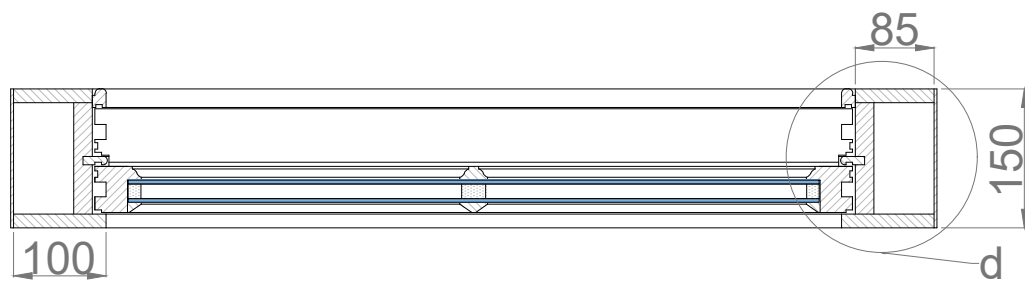


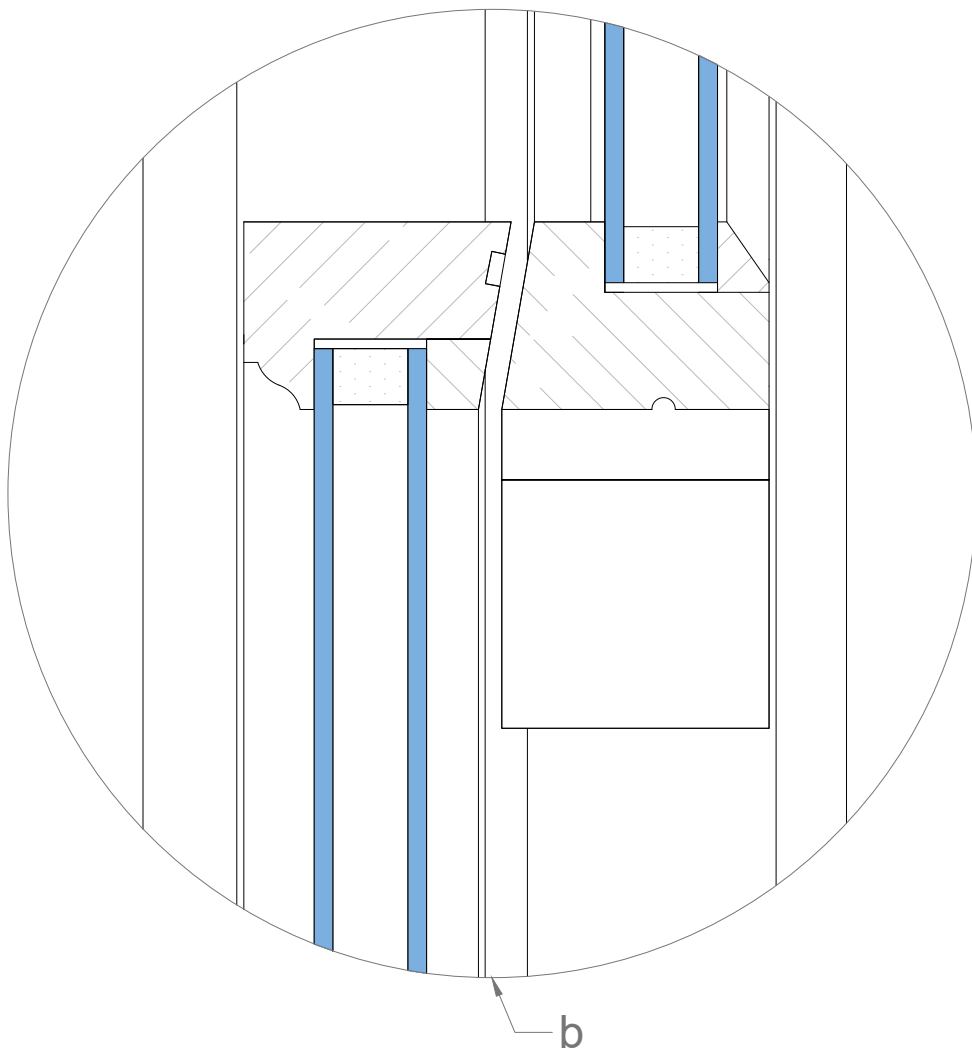
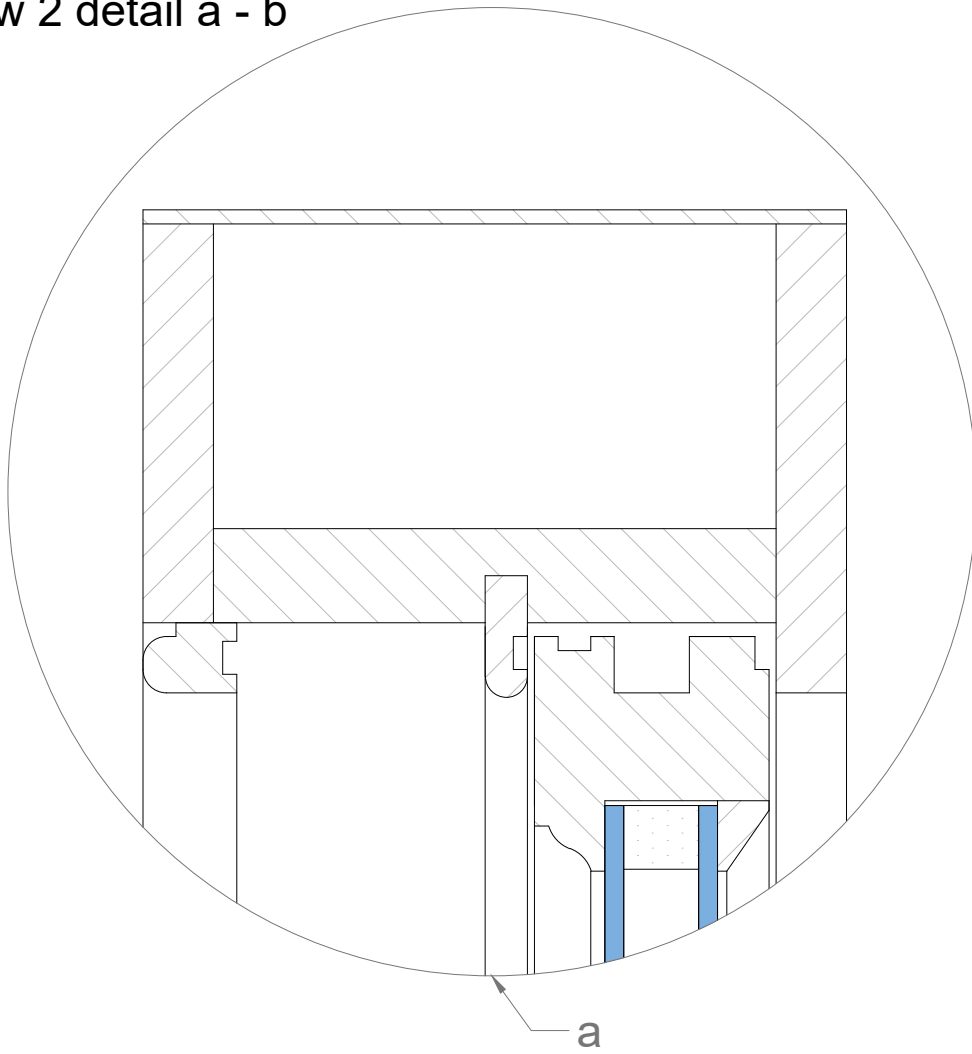
sash window 2



A-A



sash window 2 detail a - b



sash window 2 detail c- d

