



ECLIPSE THERMAL IP



640 or 336 Resolution Static Thermal cameras

UK Manufacture

Designed and manufactured in the UK

Warranty

3 years FULL manufacturers warranty

IP67 Certification

IP67 certified for a wide range of external environments

Thermal Camera Options

The Eclipse Thermal cameras are Uncooled Vanadium Oxide (VOx) Microbolometer. The range includes 2 Thermal camera resolution options: 640 x 480 or 336 x 256 pixel resolution

Thermal Lens Options

9mm, 13mm, 19mm, 25mm, 35mm, 50mm, 60mm or 100mm lens options

Athermalised Lens

Athermalised lenses remain in focus over any distance without the need for adjustments during installation, no matter what the environmental temperature

Excellent Build Quality

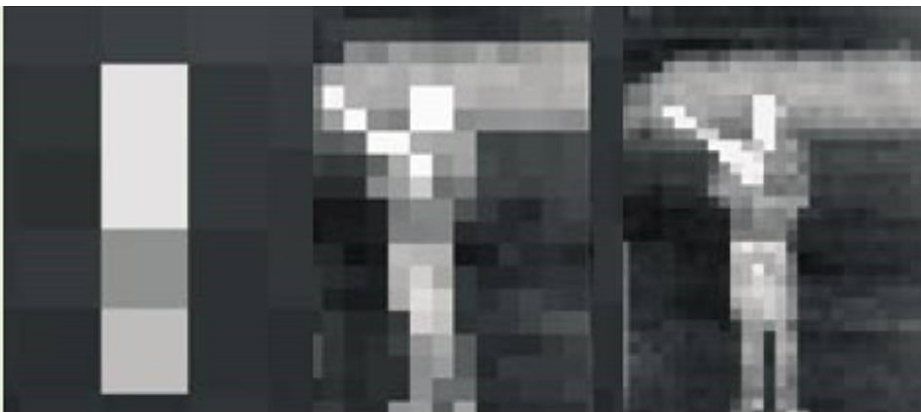
Excellence in Design and Manufacture ensure all 360 Vision products offer exceptional quality combined with ultra reliability

Housing Bracket

Cable Managed Housing Bracket with 1 metre cables

Digital Detail Enhancement

The Eclipse range have advanced camera software with Digital Detail Enhancements to deliver sharp images without the need for 'set up' adjustments to provide high quality Thermal Imaging in any night or daytime environmental conditions



Detection =
3.6 pixels by 1 pixel
You can see something is there.

Recognition =
14.4 pixels by 4 pixels
You can see that a person is there.

Identification =
28.8 pixels by 8 pixels
You can see that the person is holding a rifle.

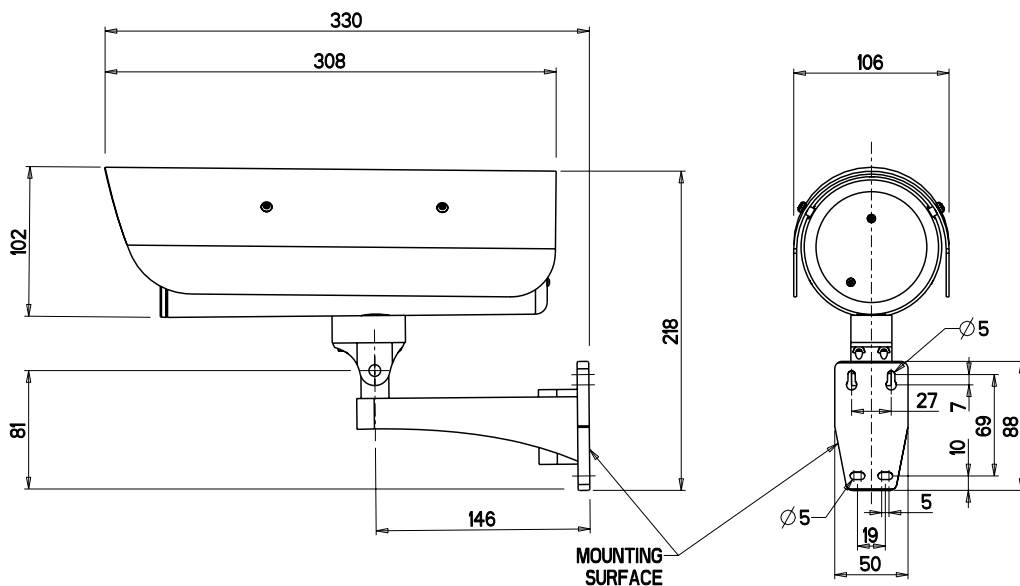
High Contrast Images

The Eclipse Range delivers high contrast picture detail which is optimized to work seamlessly with 360 Vision's video analytic systems.

Protocols

ONVIF 'S' compliant or 360SDK, see our web site for the many compatible VMS systems.

PRODUCT SPECIFICATION	ECLIPSE 640	ECLIPSE 336						
Thermal Imager	Uncooled VOx Microbolometer							
FPA/Digital Video Display	640 x 512	336 x 256						
Pixel Pitch	1.7µm							
Spectral Band	7.5 - 13.5µm							
Full Frame Rates	25Hz (PAL)	25/50Hz(PAL)						
Exportable Frame Rates	8.3Hz(PAL)							
Sensitivity (NETD)	<50mK at f/1.0							
Scene Range (High Gain)	-40°C to + 160°C							
Scene Range (Low Gain)	N/A	-40°C to + 550°C						
PAL/NTSC	Yes							
Image Optimization	Yes							
Digital Detail Enhancement	Yes							
Polarity Control (Black/White Hot)	Yes							
Colour & Monochrome Palletes (LUTs)	Yes							
Operating Temperature	-40°C to + 80°C							
Weight	1.7kg							
Power	6W heater off, 20W heater on.							
Certification	Safety Mark: CE approval: Ingress: IP67 Certified							
CODEC	25fps	ASPECT	30fps					
D1	720x576	4:3	720x480					
VGA	640x480	4:3	640x480					
QVGA	432x240	16:9	432x240					
Distribution	Multi Codec 2 streams							
Image Compression	H.264, MPEG4, MJPEG							
Protocols	ONVIF (S), TCP/IP, HTTP, RTP, RTSP, 360SDK							
Compression levels	CBR, VBR CVBR							
THERMAL CAMERA (HFOV)	9mm	13mm	19mm	25mm	35mm	50mm	60mm	100mm
336	35°	25°	17°	13°	9.3°	6.5°	5.5°	3.3°
640	69°	45°	32°	25°	18°	12.4°	10.4°	6.2°



360 Vision Technology Ltd

Unit 7 Seymour Court Manor Park Runcorn Cheshire WA7 1SY UK

Tel: +44 (0)870 903 3601 Fax: +44 (0)870 903 3602

info@360visiontechnology.com

www.360visiontechnology.com

