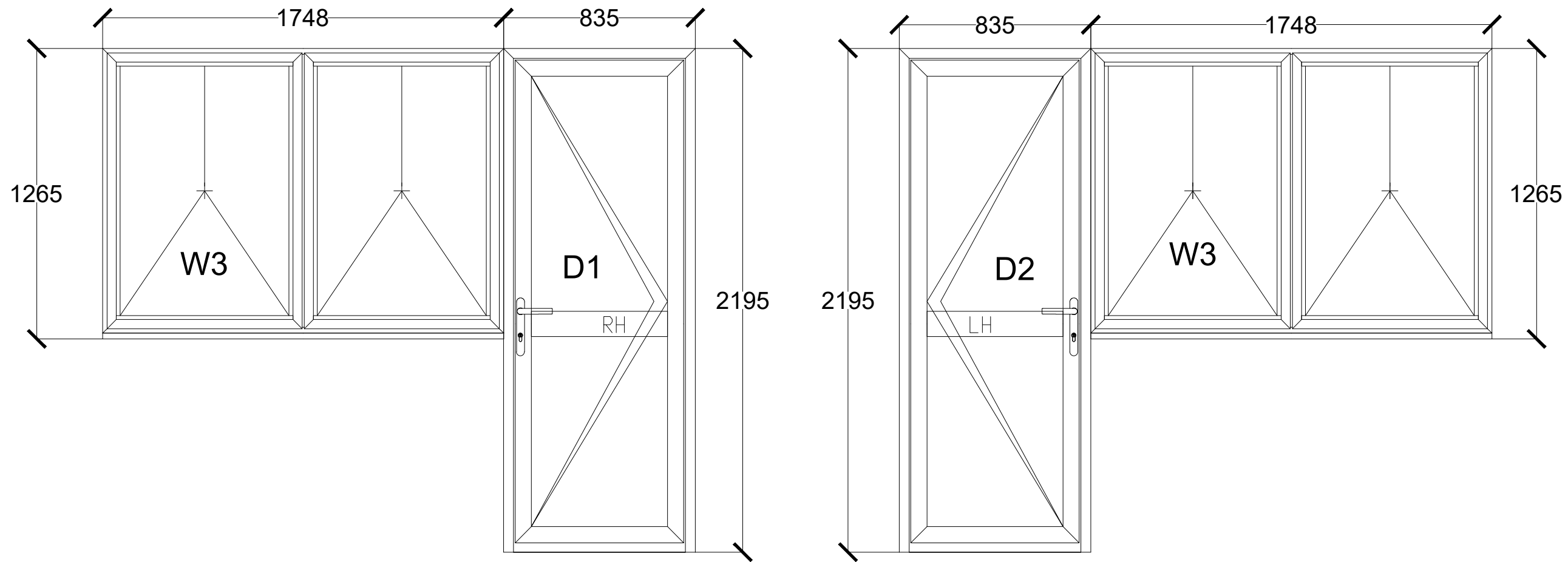
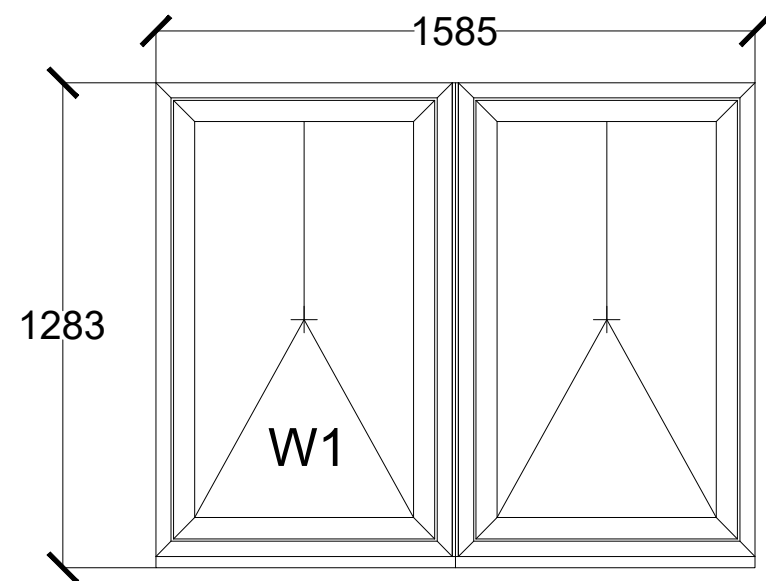


- DRAWING ISSUE NOTE:**
- For the purpose of submission to Local Authority for the approval of Planning Consent
  - This drawing is to be read in conjunction with all other relevant drawings & details in this package
  - Do not scale
  - Dimensions are in millimetres unless otherwise stated
  - Do not use for construction
  - Should any third party use these drawings for the purpose of construction, it shall be entirely at their own risk.

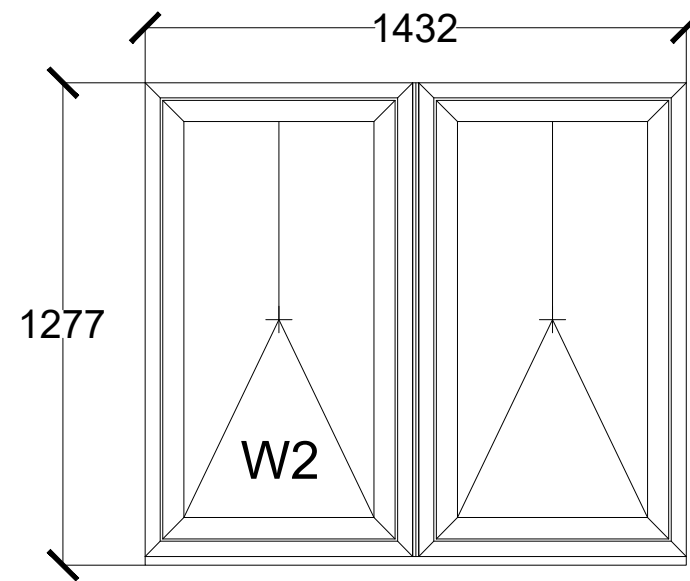


D1 & W3

D2 & W3



W1



W2

All proposed exterior residential windows and rear balcony doors are to be aluminium double glazed AluK units, same colour to match existing



GDS Chartered Surveyors  
Unit 2, The Old Dairy, Danegate,  
ErIDGE Green, Tunbridge Wells, TN3 9HU  
T. 01892 538 700 E. mail@gdsstd.co.uk  
www.gdsstd.co.uk

Project		
Vesage Court		
Drawing		
Proposed Windows & Balcony Doors		
Revisions		
Client		
Morgan Sindall		
Scale		
1:20@A3		
Date	Drawn By	Checked By
Aug 18	PW	MR
Issue:		
PLANNING		
Drawing No.	Revision	
1100 - 009	- A	