

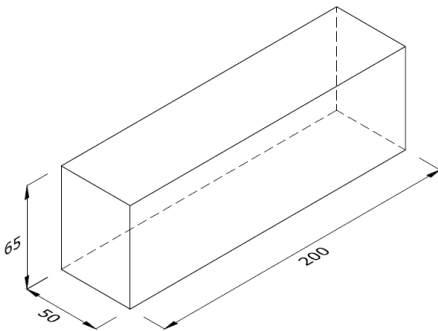
## DUTCH PAVERS

Wienerberger has created its Dutch collection to achieve a new and unique look in larger areas of urban paving.


Wienerberger's mixed reds, cream, greys and waterstruck blends offer designers a wider choice and scope when designing new landscapes.



WORK SIZE	200 x 50 x 65mm
DIMENSIONAL DEVIATION (RANGE)	R1
MEAN TRANSVERSE BREAKING LOAD	T4
UNPOLISHED SLIP/SKID RESISTANCE	U3
ABRASION RESISTANCE	A2
DURABILITY	FP100
PACK QUANTITY	960
TYPICAL PACK WEIGHT (KG)	1392
QUANTITY PER m <sup>2</sup>	100



Wienerberger offers UK customers a choice of pavers in a wide range of colours, finishes and blends that can enhance any project. With a selection of complementary kerbs and paver accessories, Manufactured in accordance with BS EN 1344

 Case study available to view  
[www.wienerberger.co.uk/inspiration](http://www.wienerberger.co.uk/inspiration)

T: 0845 303 2524

F: 0844 334 4100

✉ [office@wienerberger.co.uk](mailto:office@wienerberger.co.uk)

🐦 @wienerbergeruk

🌐 [www.wienerberger.co.uk](http://www.wienerberger.co.uk)