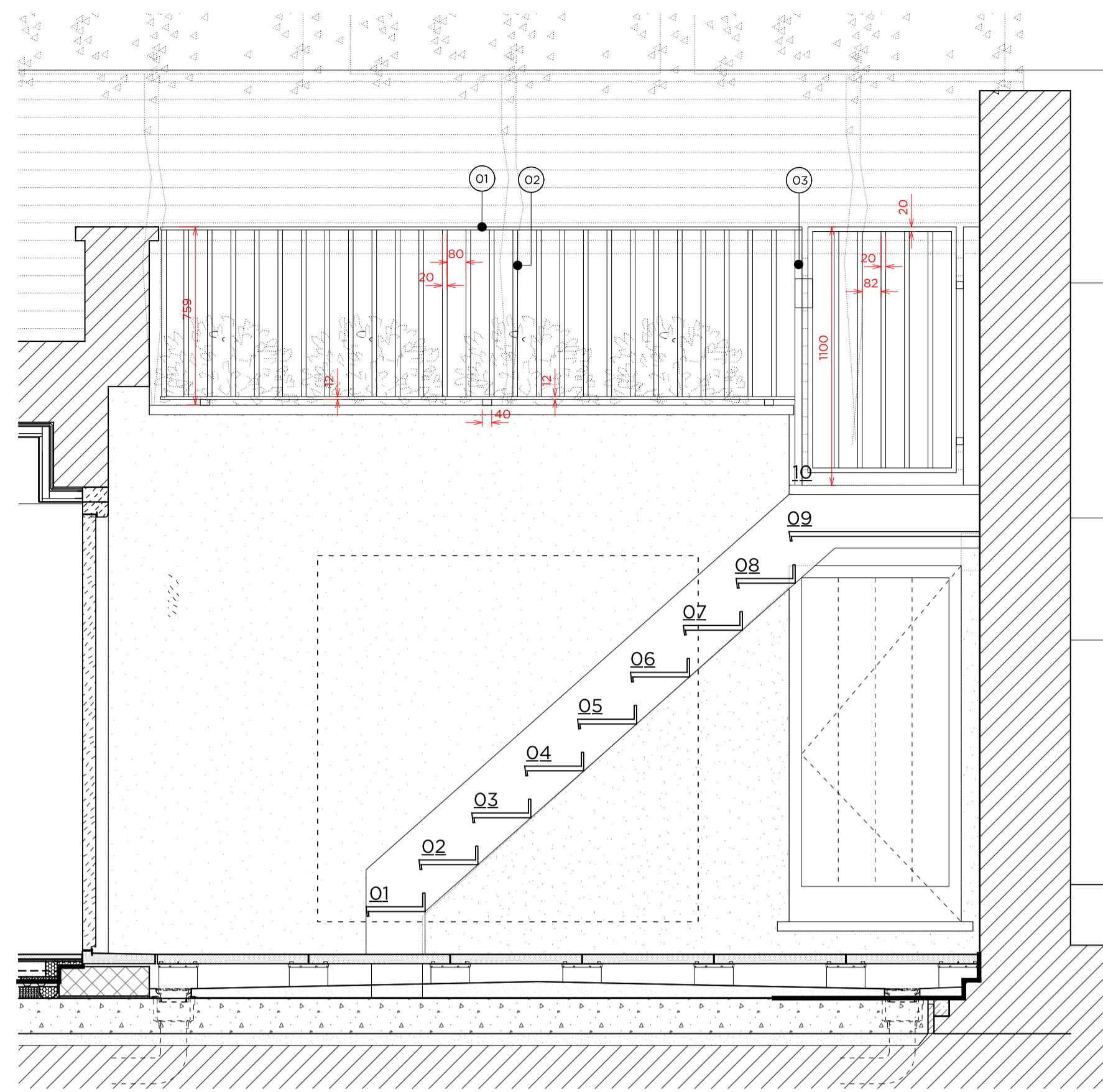
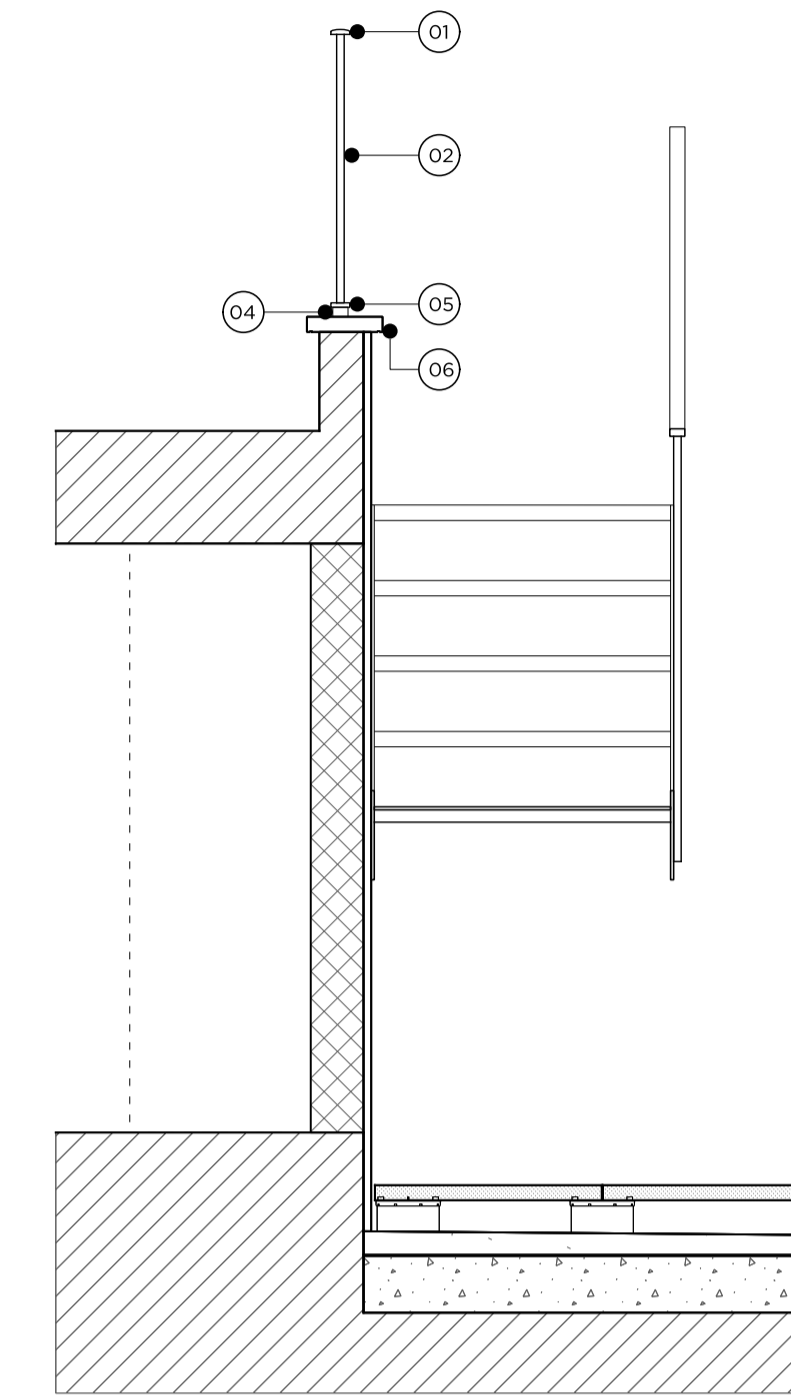


Detail Plan 01_Front Lightwell Steps
1:20 @ A1



Section AA_Front Lightwell Steps
1:20 @ A1



Section BB_Rear Lightwell
1:20 @ A1

Detail Notes	
01	50x13mm steel convex top rail. Site painted black.
02	20x20mm steel square spindle. Site painted black.
03	30x30mm square steel support. Site painted black.
04	40x40mm mild steel support. Site painted black.
05	50x12mm mild steel flat plate. Site painted black.
06	Stone coping

Rev - 22.08.2018 Issued for Planning

PLANNING

Project No. 16006

Client Mr. & Ms. A. Saleh

Date August 2018

Scale Scale as noted

Project 17 East Heath Road, NW3

Drawing Title: Front Lightwell Balustrade

Drawing No. 400_203

Drawn LG	Approved RD	Signed
----------	-------------	--------



66-68 Margaret Street W1W 8SR T. 020 7580 9336 www.mw-a.co.uk

Copyright Marek Wojciechowski Architects Limited. No implied license exists. This drawing should not be used to calculate areas for the purposes of valuation. All dimensions to be checked on site by the contractor and such dimensions to be their responsibility. Do not scale drawings. All work must comply with relevant British Standards and Building Regulations requirements. Drawing errors and omissions to be reported to the architect.

