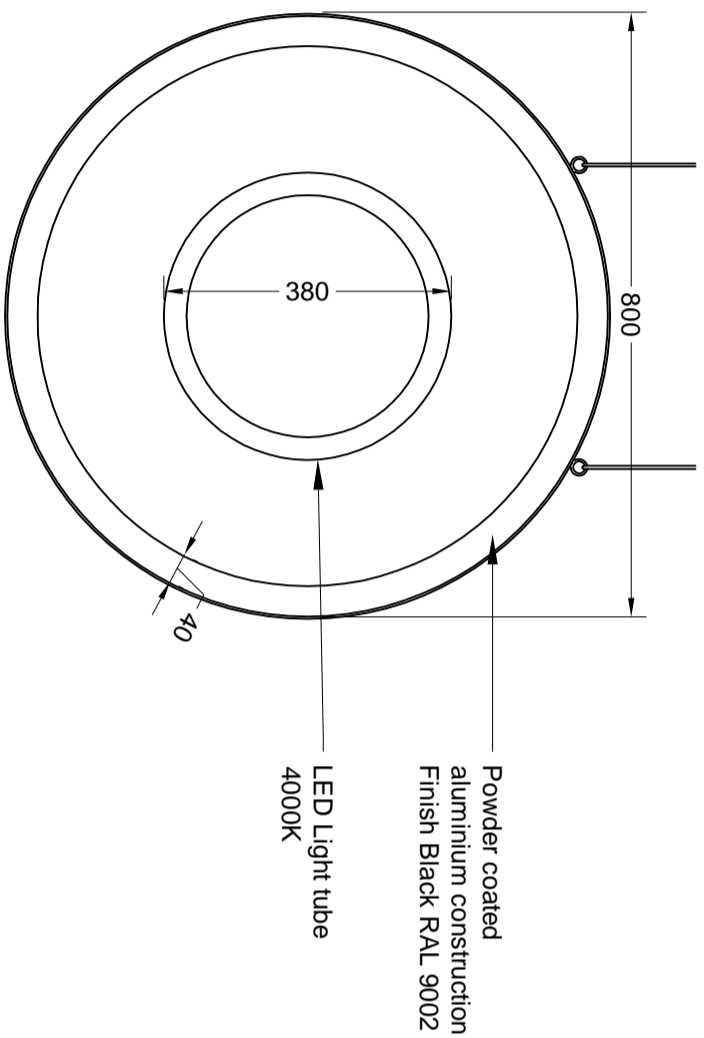
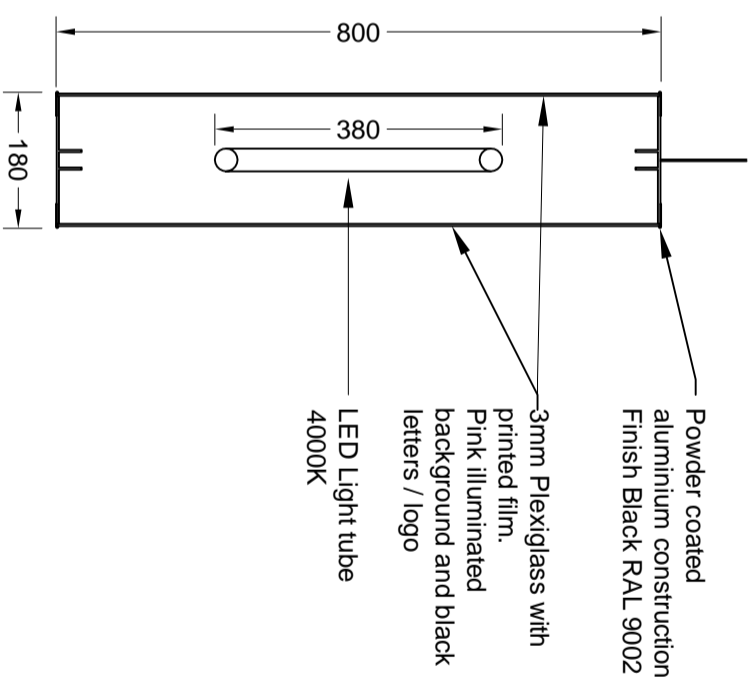


Side Elevation | Scale 1:10@A3



Front Elevation | Scale 1:10@A3



Section AA | Scale 1:10@A3

Section BB | Scale 1:10@A3



Tel: +44 (0) 845 023 0294

Design Time  
5a Calls Landing  
36-38 The Calls  
Leeds  
West Yorkshire  
LS2 7EW

adl@designtime.uk.com  
www.designtime.uk.com

Project  
Joe & The Juice

Drawing Title  
Hanging Sign Detail

Drawn by  
SE  
Date  
May 17

Scale  
As Noted  
Paper Size  
A3

Drawing Number  
JSTD-04  
Revision  
/