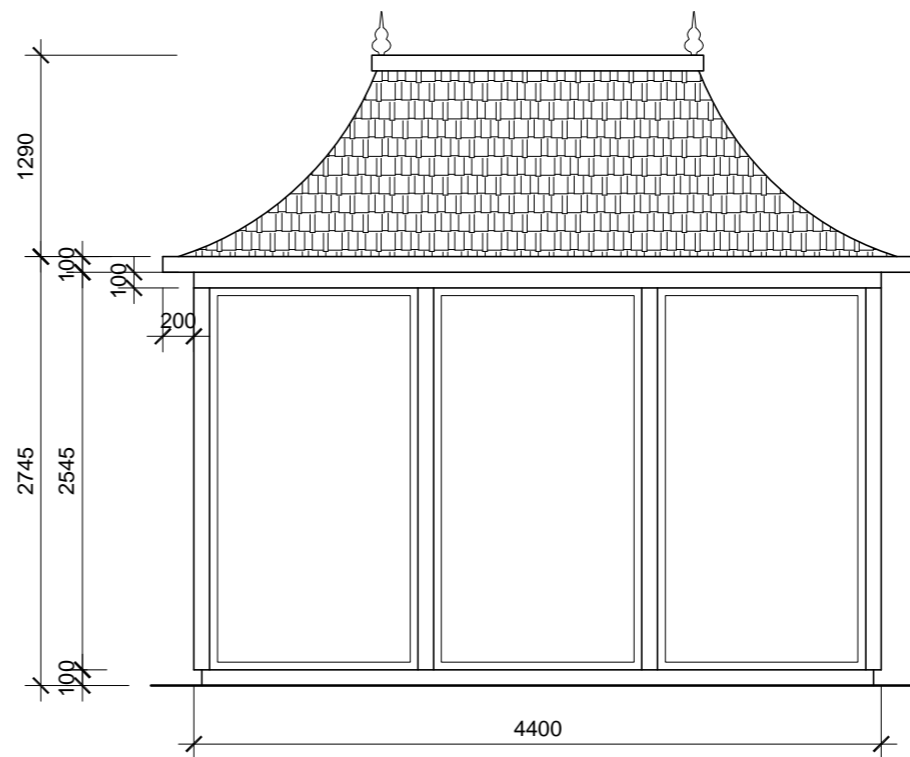
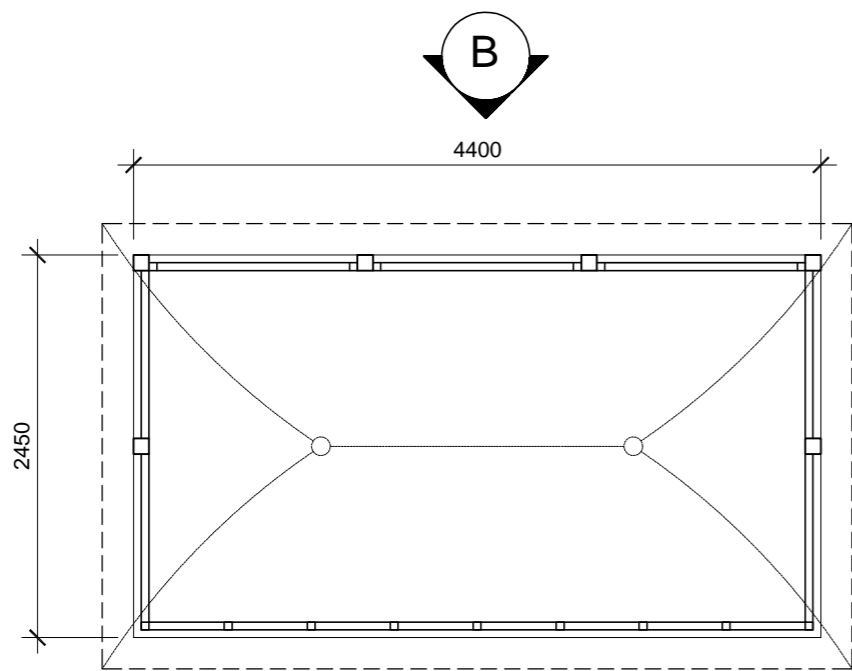


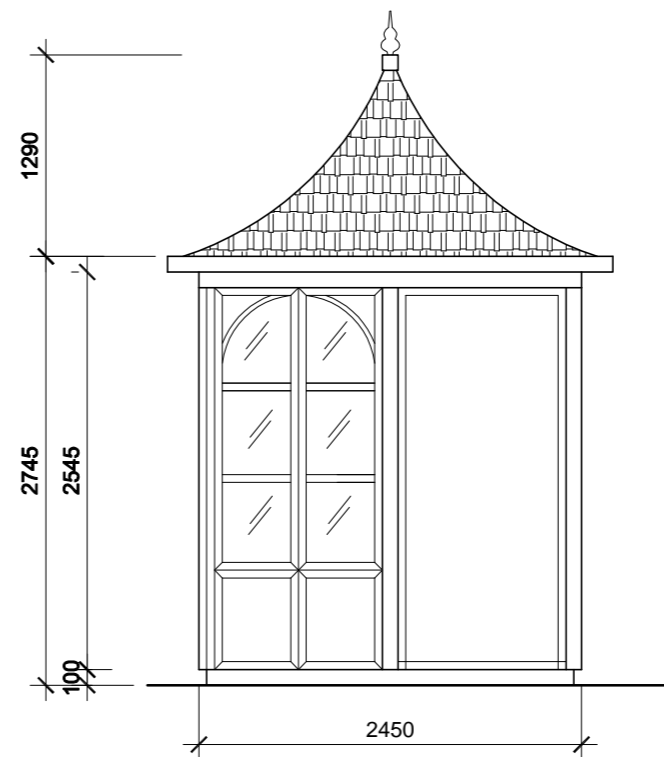
A ELEVATION
SCALE 1 : 50 @ A3



B ELEVATION
SCALE 1 : 50 @ A3



LP LAYOUT PLAN
SCALE 1 : 50
SPA HOUSE



C ELEVATION
SCALE 1 : 50 @ A3

AMENDMENT	DATE

Disclaimer:
This drawing is copyright. Contractor to verify all dimension on site before commencing work. Discrepancies must be reported immediately to the architect/ designers before proceeding.

CHAMPALIMAUD

475 TENTH AVENUE, 10th FLOOR, NEW YORK, NY 10018
P 212.807.8869 www.champalimaud.com

© 2014 CHAMPALIMAUD Design LLC

duoz

49D, Faber Plaza,
Jalan Desa Bakti,
Taman Desa,
58100 Kuala Lumpur
w : www.douz-design.com
e : info@duoz-design.com
t : 603 - 7984 4922
f : 603 - 7922 2001

PROJECT:
**PROPOSED NEW INTERIOR
FIT-OUT & REFURBISHMENT
FOR THE ACADEMY LONDON,
UNITED KINGDOM.**

DRAWING TITLE: SPA HOUSE		REVISION AA
DRAWING NO. TAH-SH-IL93-01		
JOB NO: DSB17004	SCALE: AS SHOWN	DRAWN: INA
	DATE: JULY, 2018.	CHECKED: ZAIDAN