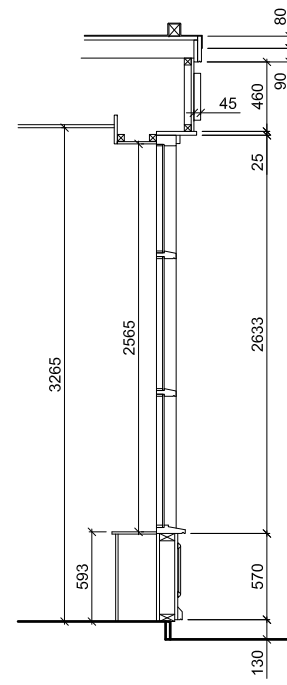
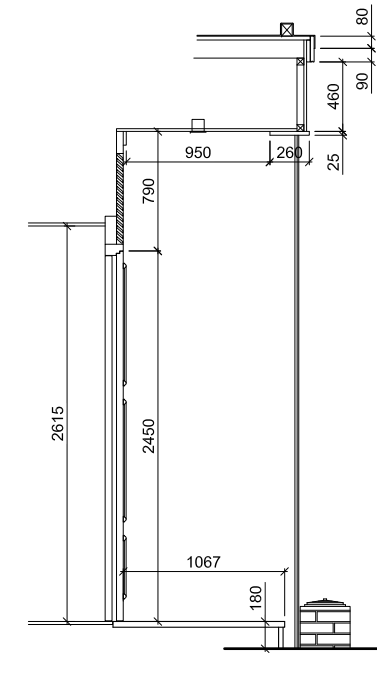


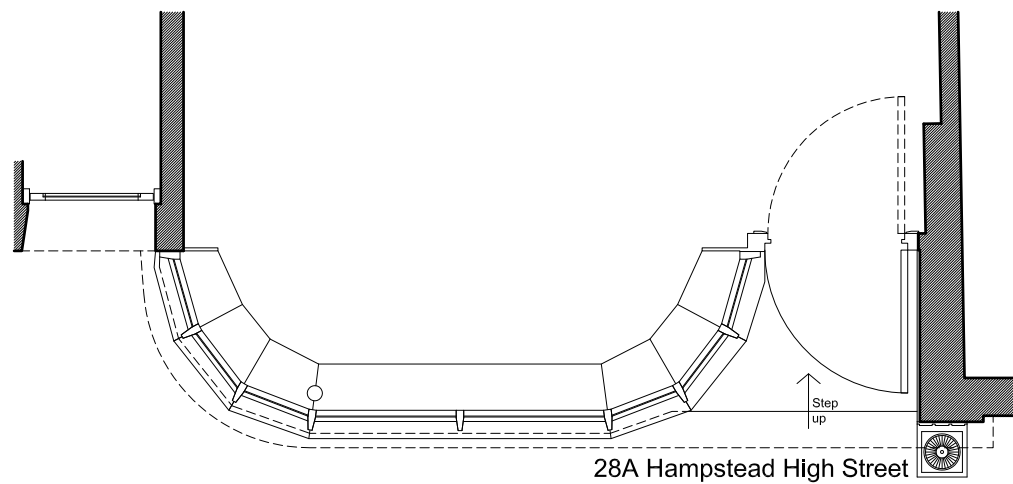
Shopfront Elevation as Existing
Scale 1:50 @ A3



Section thru' Shopfront as Existing
Scale 1:50 @ A3



Section thru' entrance door as Existing
Scale 1:50 @ A3



Shopfront Plan as Existing
Scale 1:50 @ A3



Scale 1:50

Notes:
1. All sizes to be taken and checked on site by the contractor prior to preparation of shop drawings or fabrication of parts.
2. This drawing should not be scaled. Any discrepancies to be brought to the immediate attention of the designer.
COPYRIGHT OF DESIGN AND DRAWING RESERVED

Project	NEW SHOPFRONT SIGNAGE 28A HAMPSTEAD HIGH STREET, LONDON, NW3 1QA
Client	TOAST
Title	SHOPFRONT AS EXISTING
Project No.	180705
Scale	1:50 @ A3
Drawn	CAD

Issue Purpose
ADVERTISEMENT CONSENT

Dwg. No.	180705-001
Date	JULY 2018
Revision	

absolute detail

t + f 01628 528492
m 07824 641414
e alison@absolutedetail.me
w absolutedetail.me