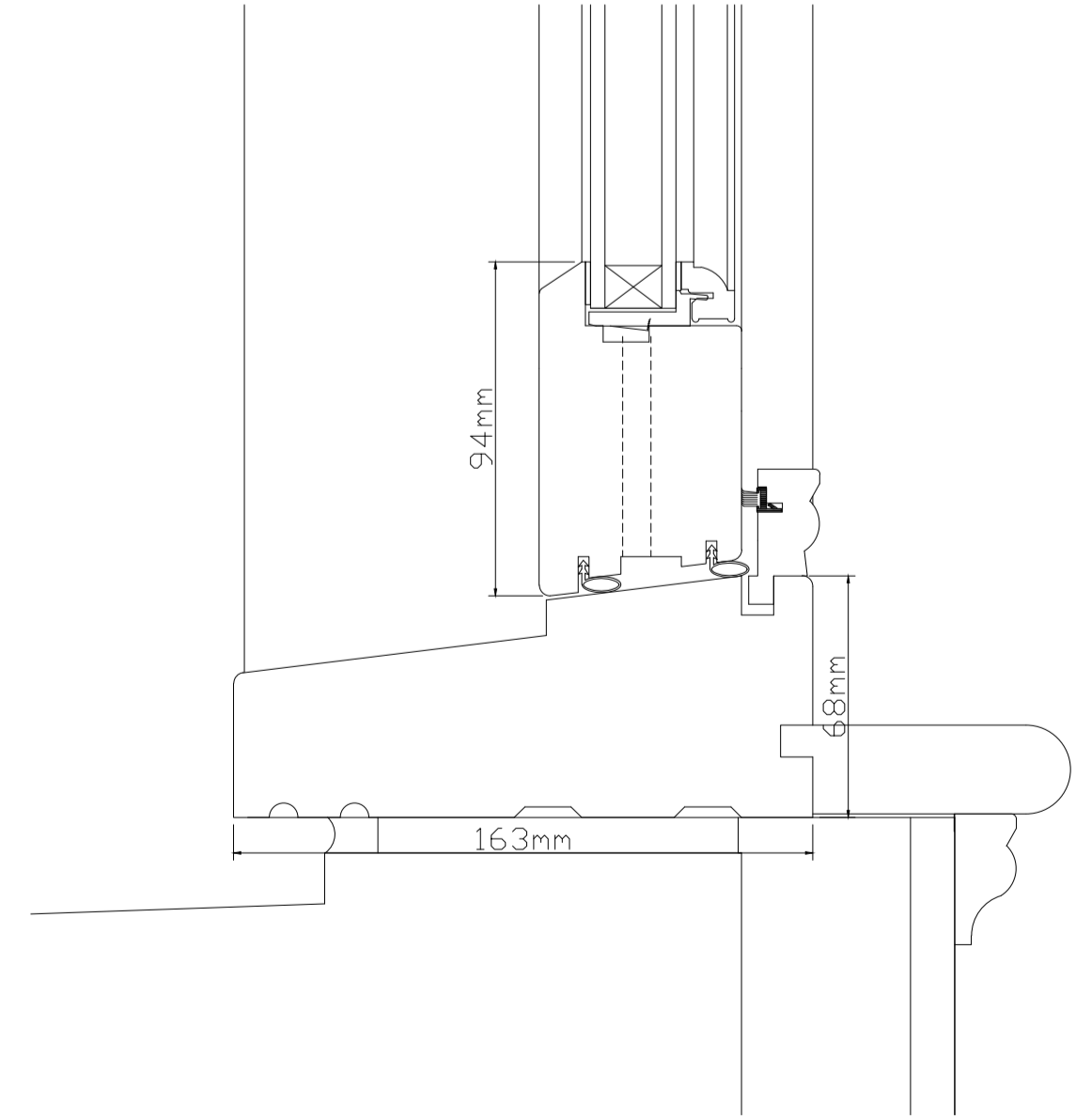
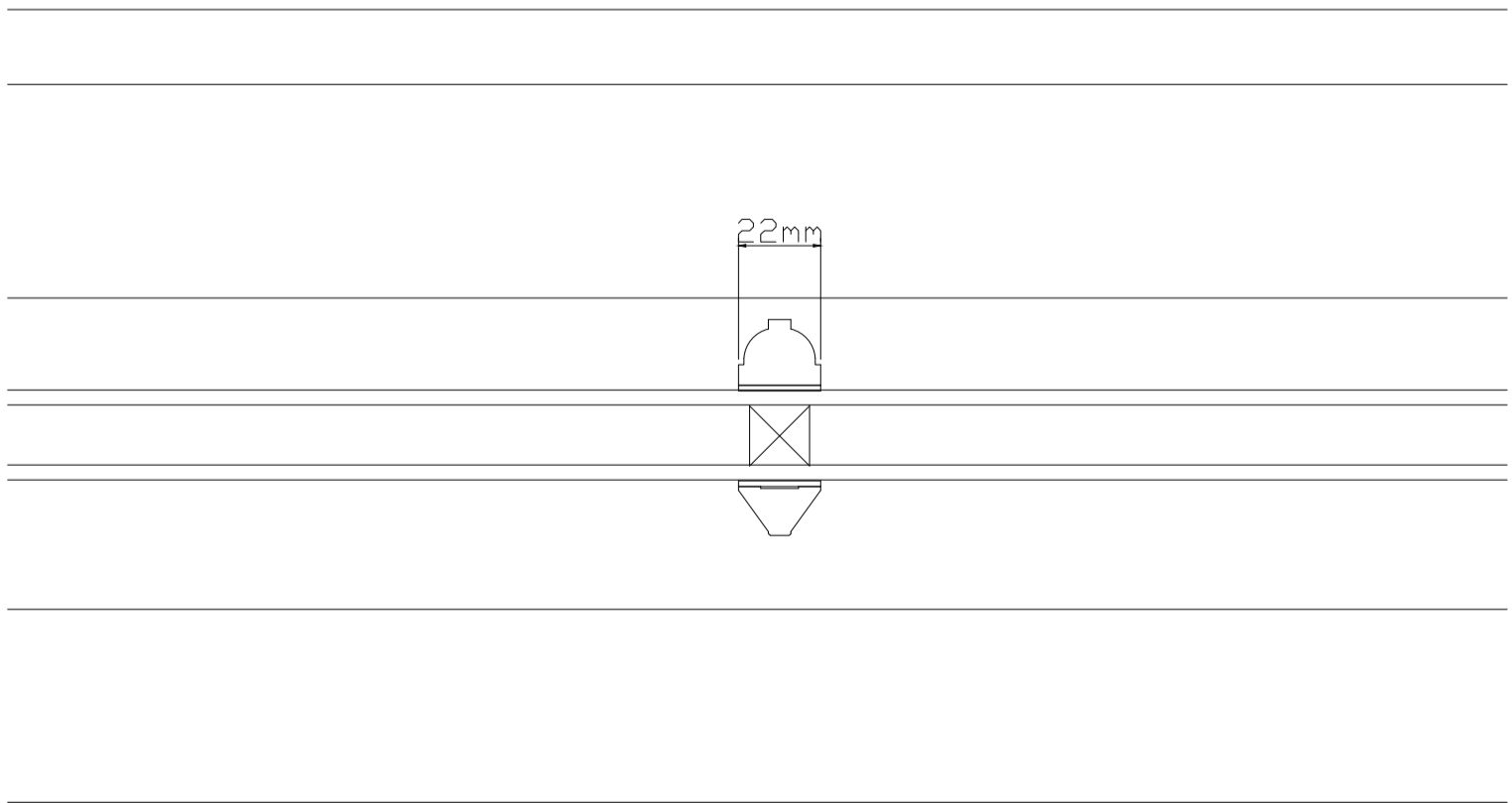
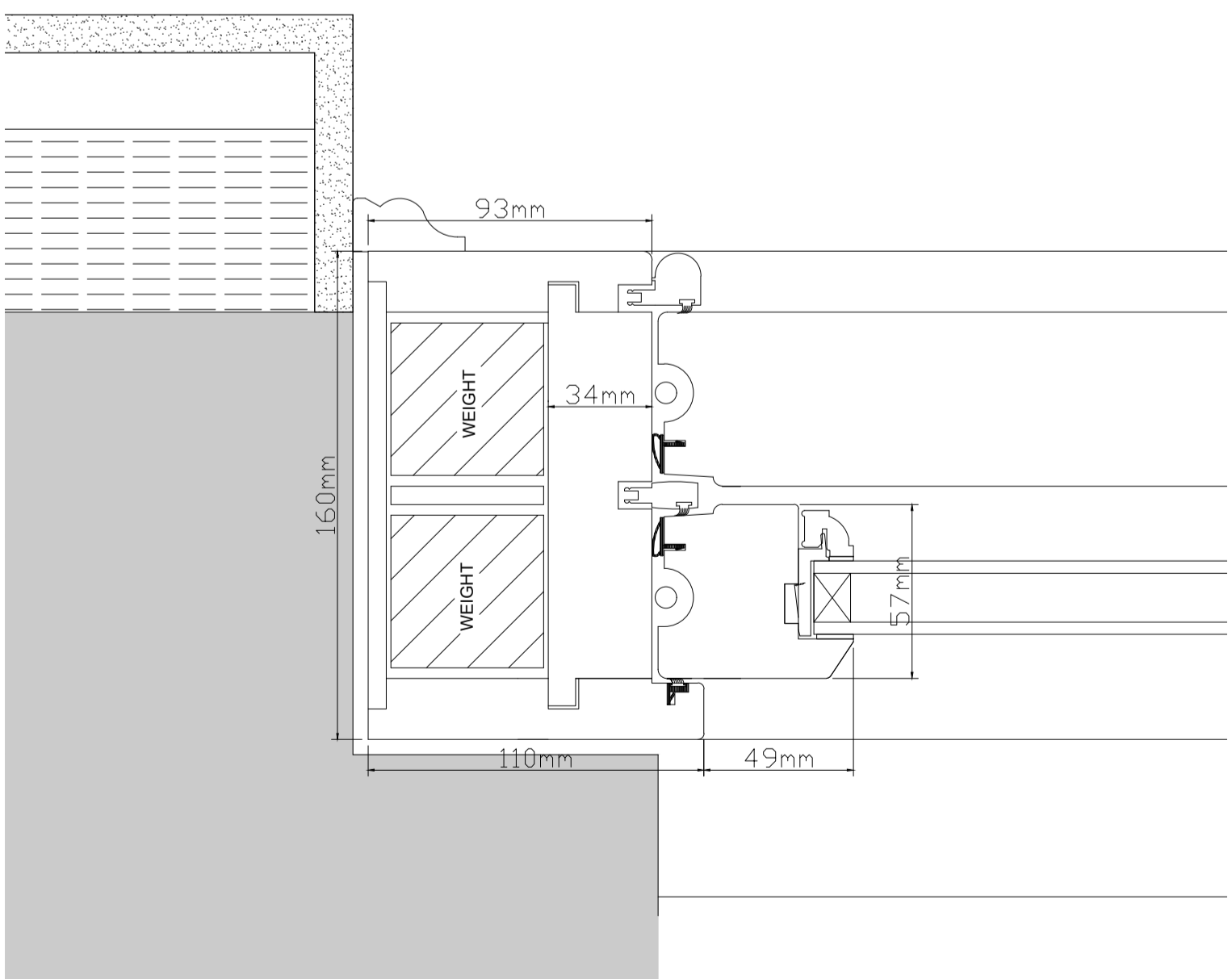
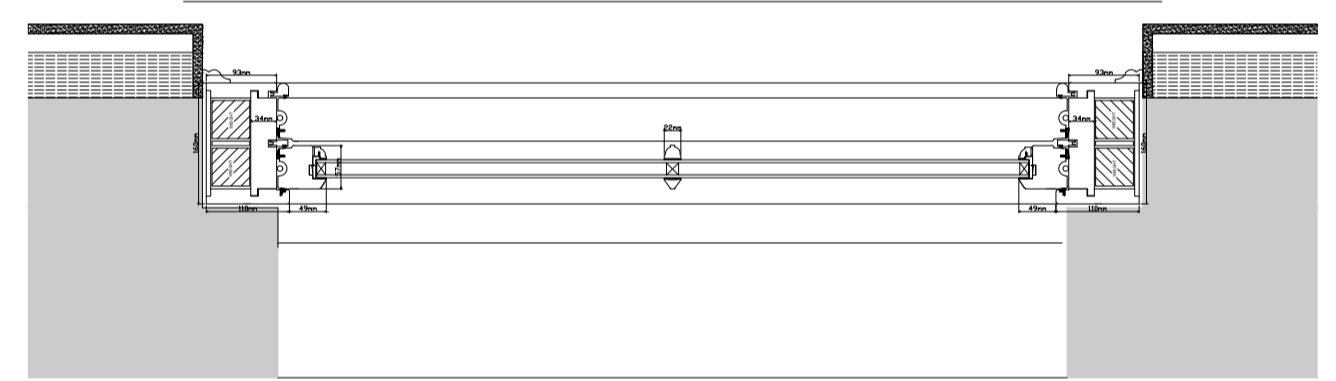
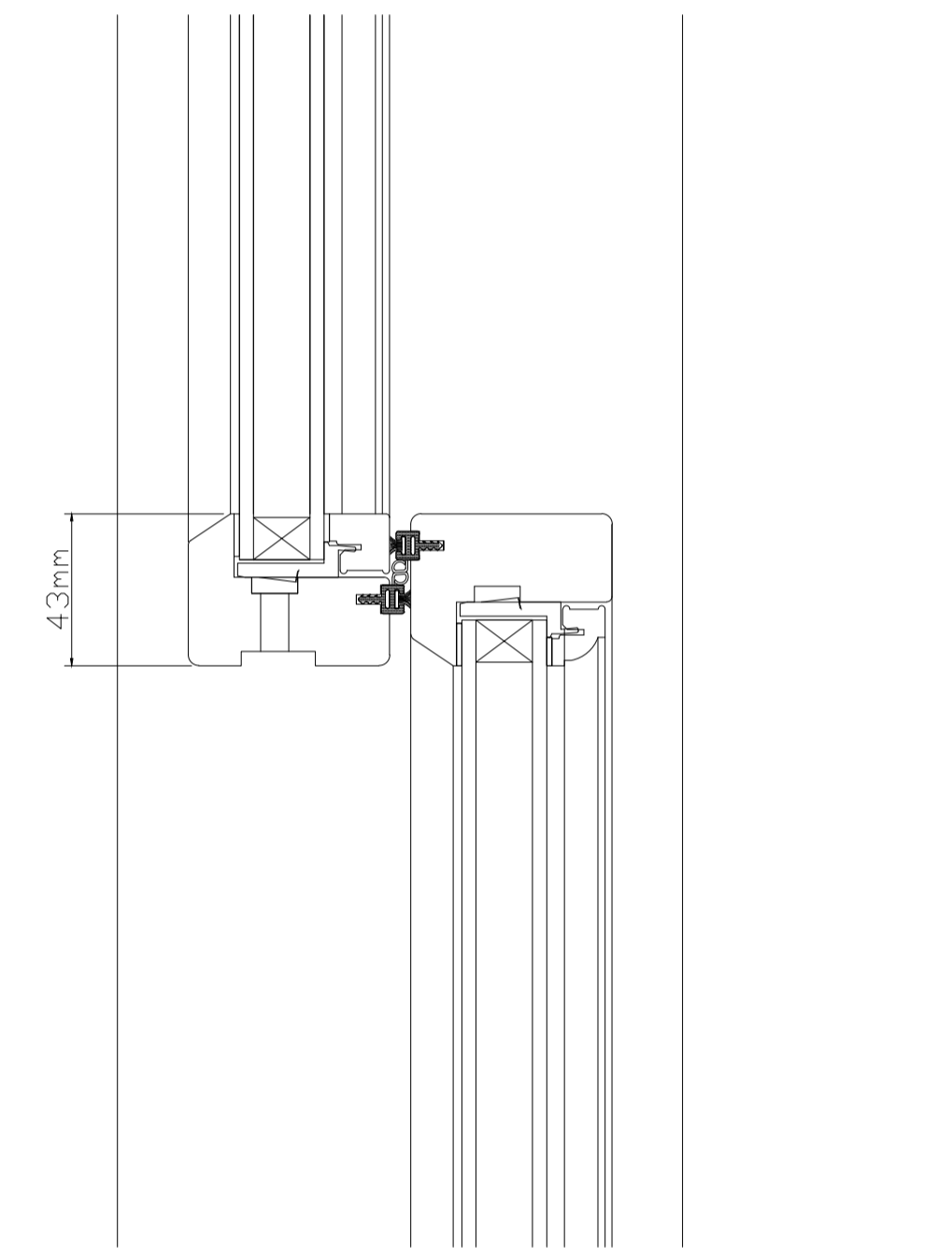
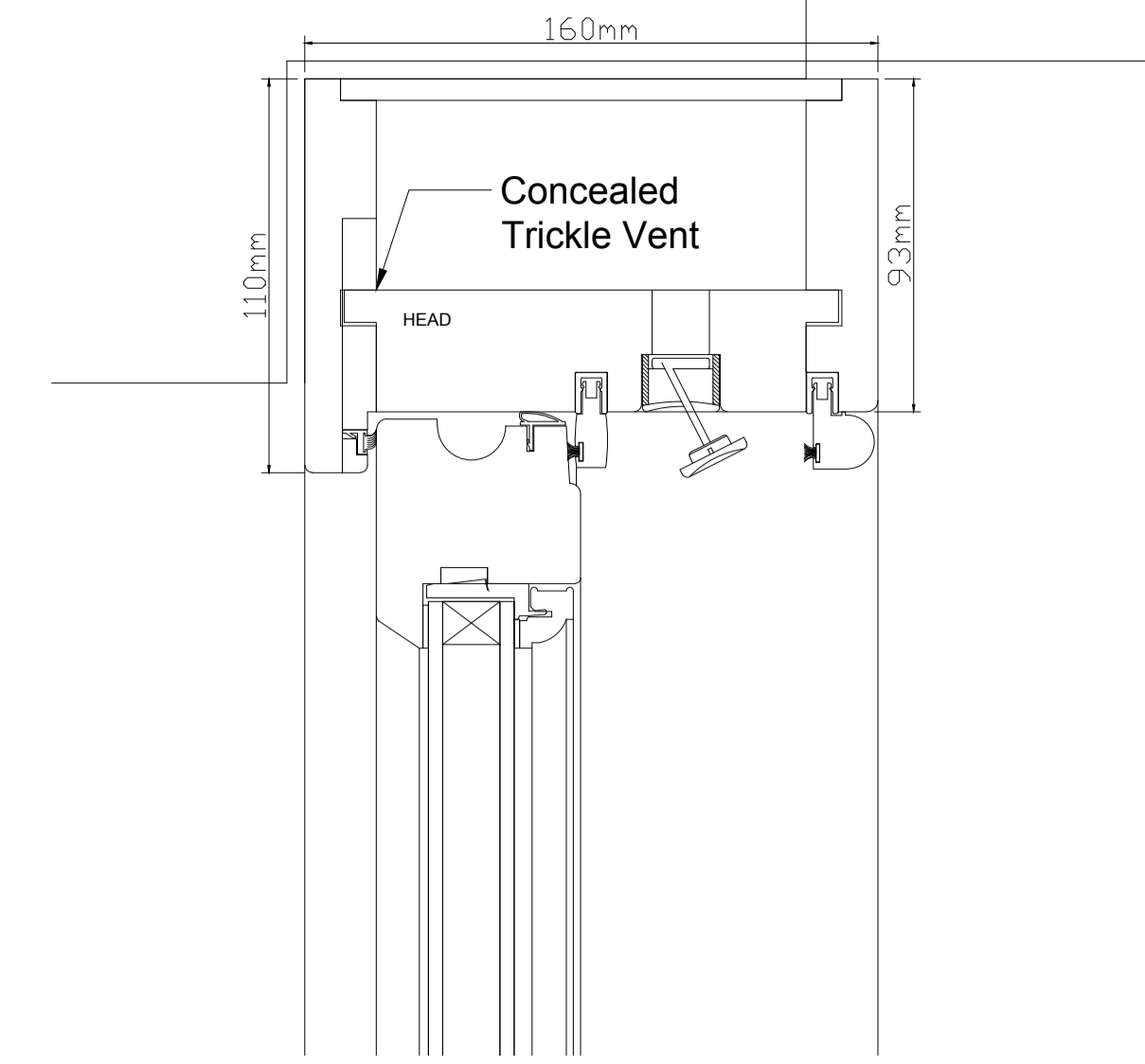
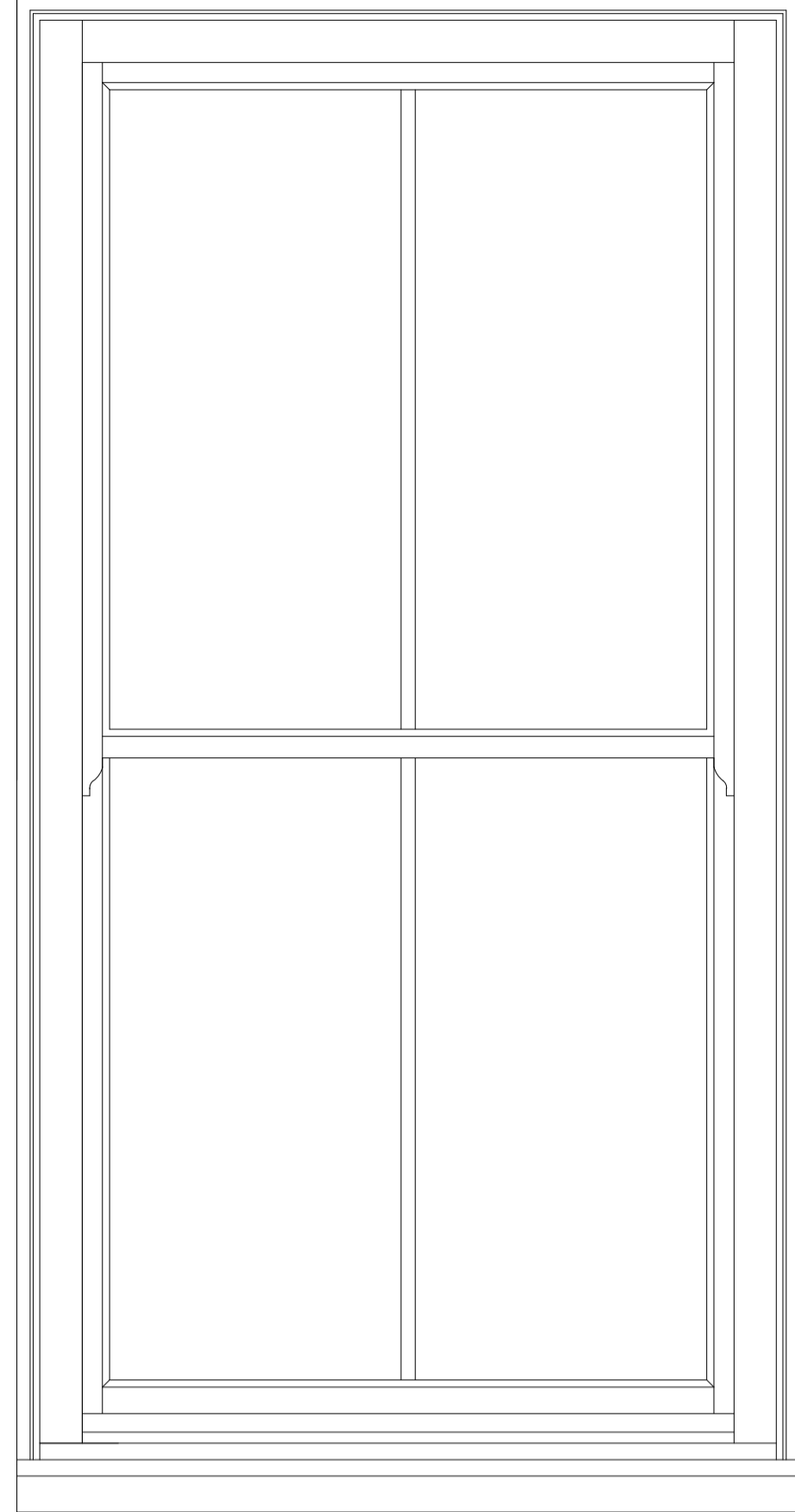
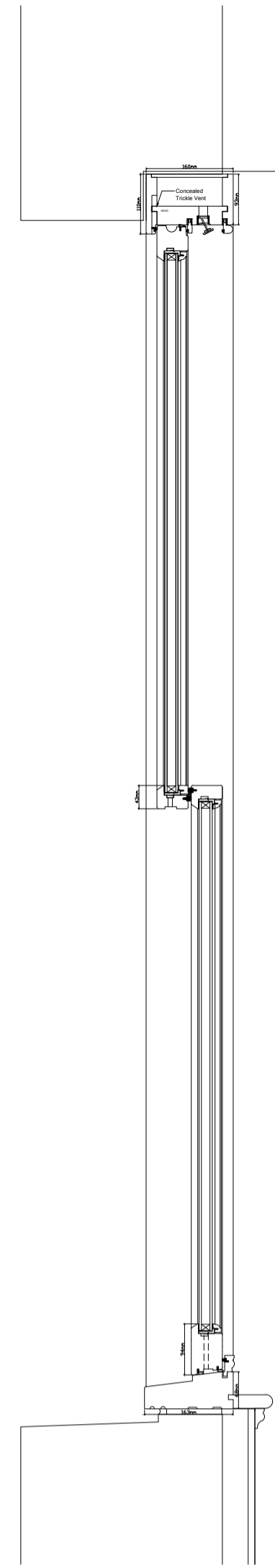
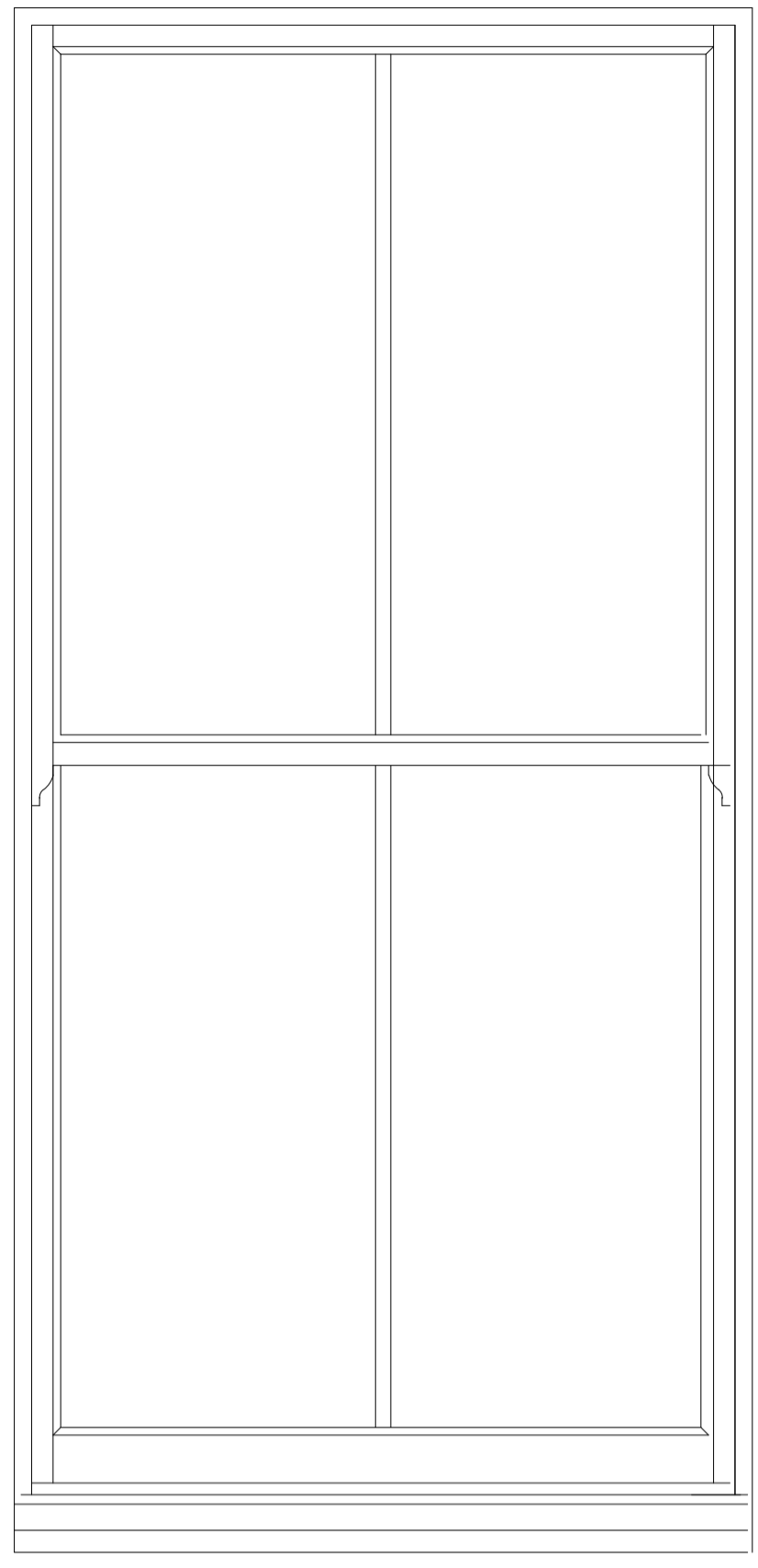


Figured dimensions only are to be used. All dimensions to be checked on site. Differences between drawings and between drawings and specification or bills of quantities to be reported to SJT Associates.  
 © This drawing is prepared for the application for:  
 1. Planning permission  
 2. Building Regulation Permission  
 on behalf of the applicant named below and for no other purpose.  
 The copyright of the drawing and designs remains SJT Associates.  
 All copies are only for information about the application, they may not be used for any other purpose without the express written permission of SJT Associates.

Revisions:



SJT ASSOCIATES



Client:  
**McGRATH DAVIES PROPERTY SERVICES**  
**TAPPING THE ADMIRAL**  
 Project:  
**77 CASTLE ROAD LONDON NW1 8SU**

Drawing Title:  
**PROPOSED WINDOW DETAILS**

Issue status:  
 Outline proposals  Production information  Scheme design   
 Tender drawing  Detail design  Contract drawing

Scale:	Drawn:	Checked:	Approved:	Date:
1:20	GA	ST	RO	01/16
Job No:	Drawing No:	Revision:		
2305	P009			