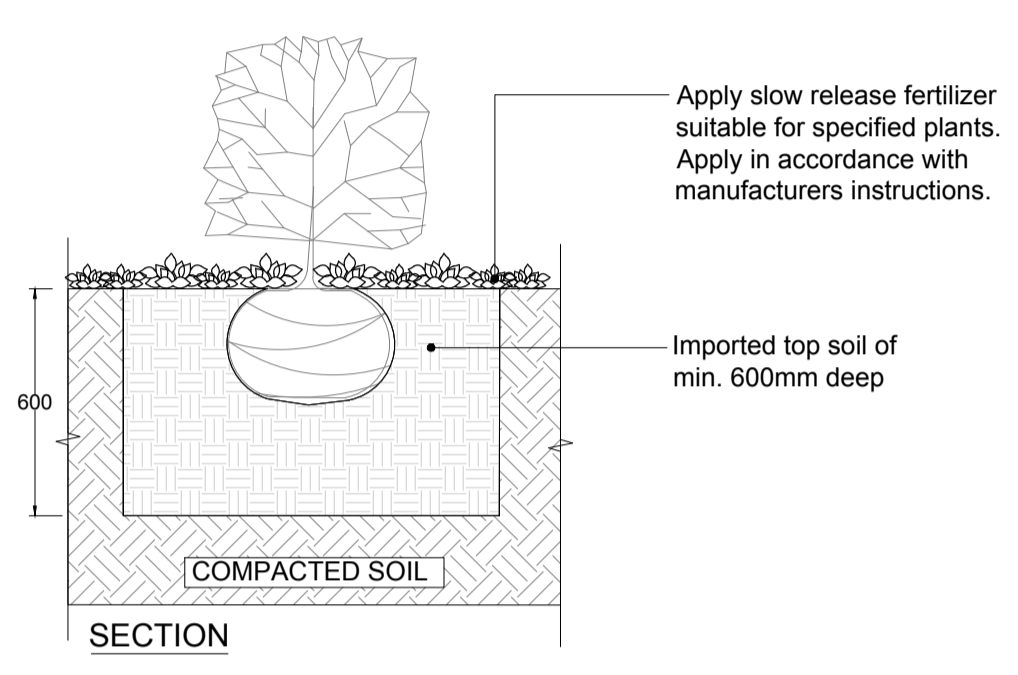
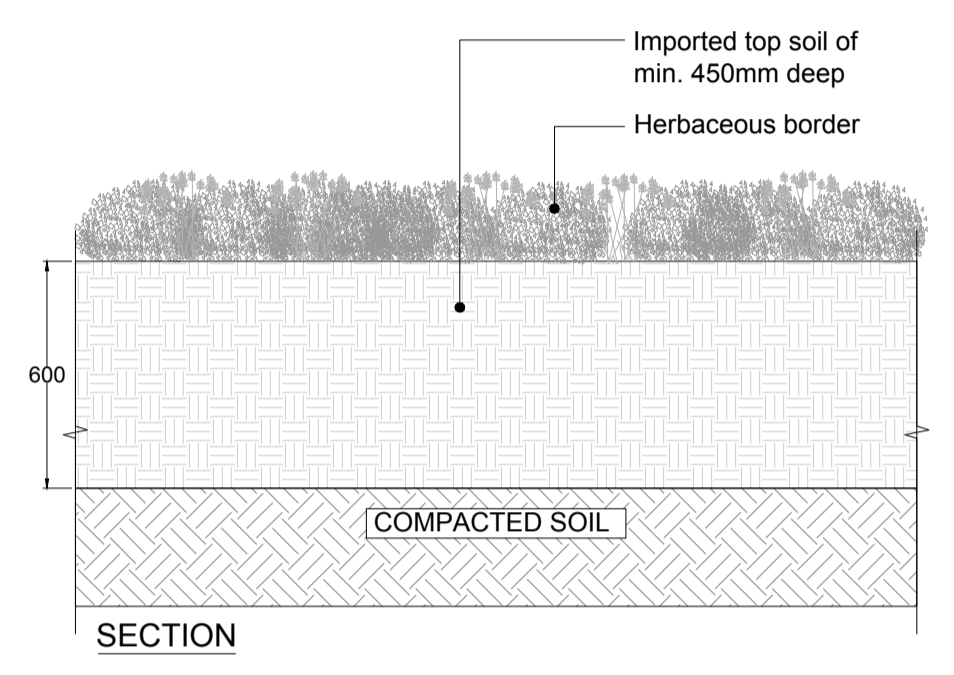


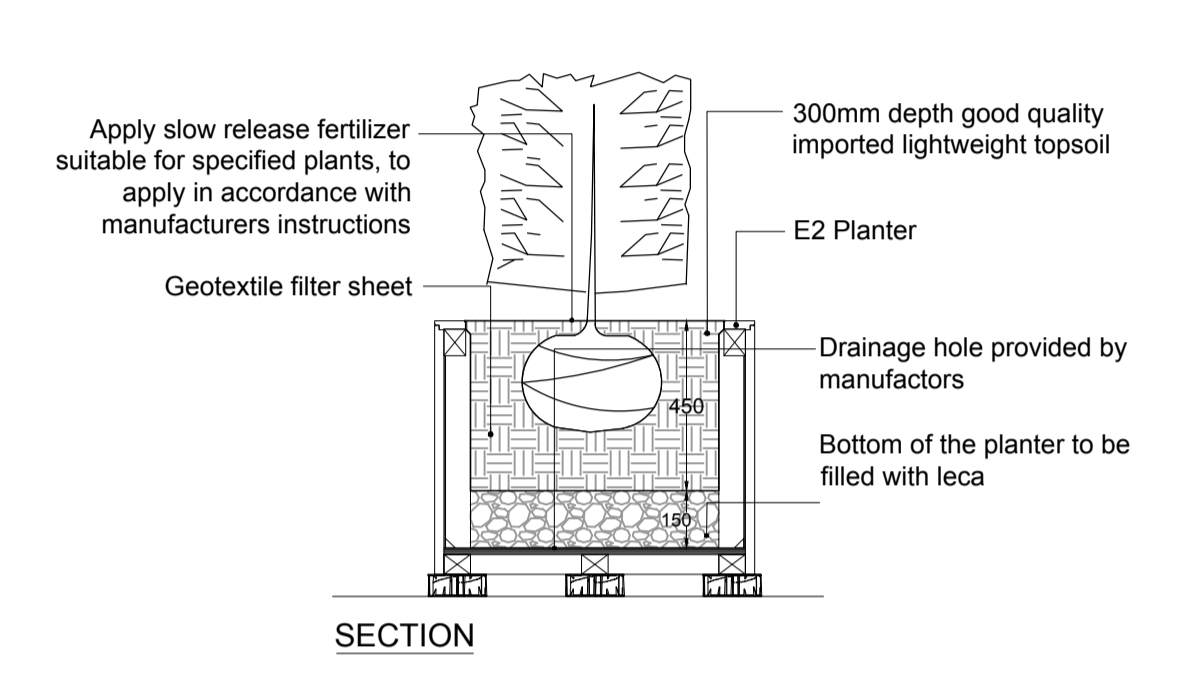
1 TREE PIT
1 : 20



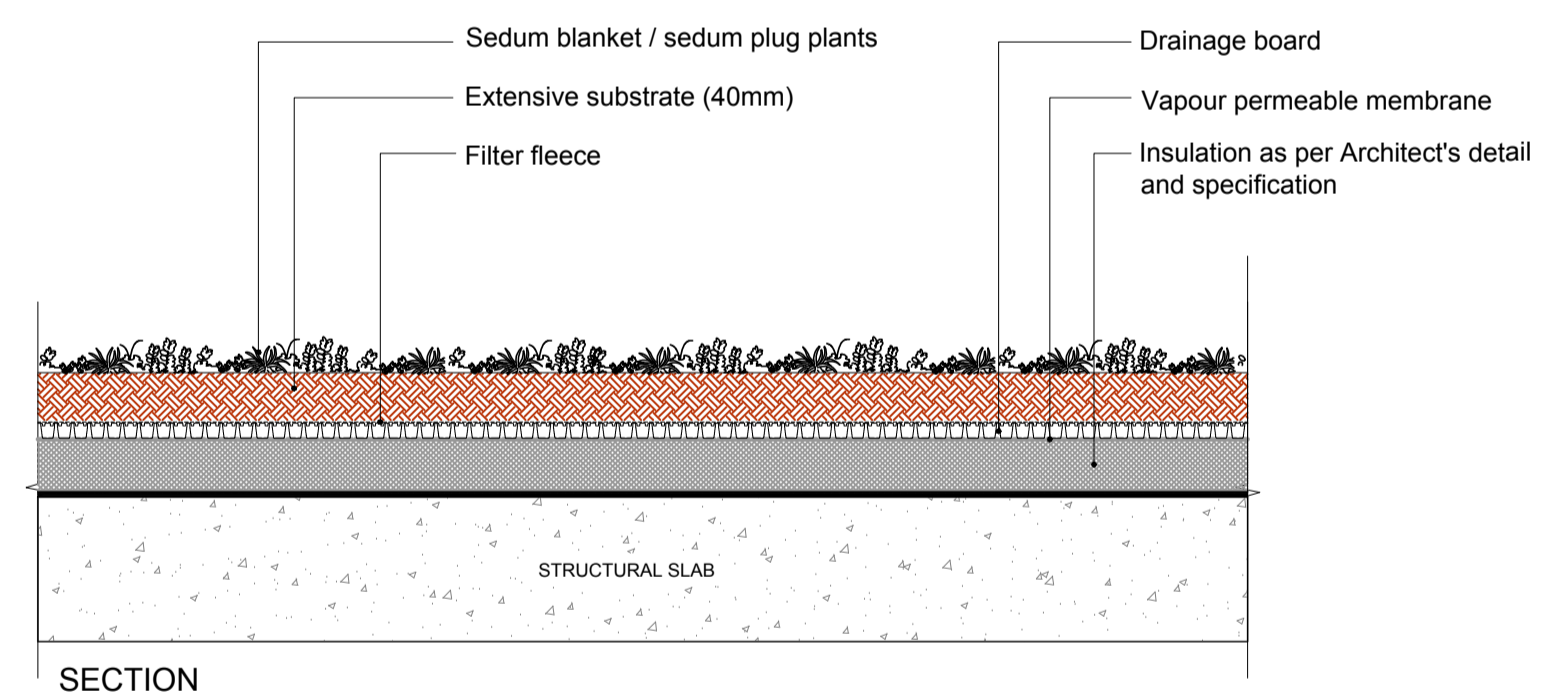
2 SHRUB PLANTING
1 : 20



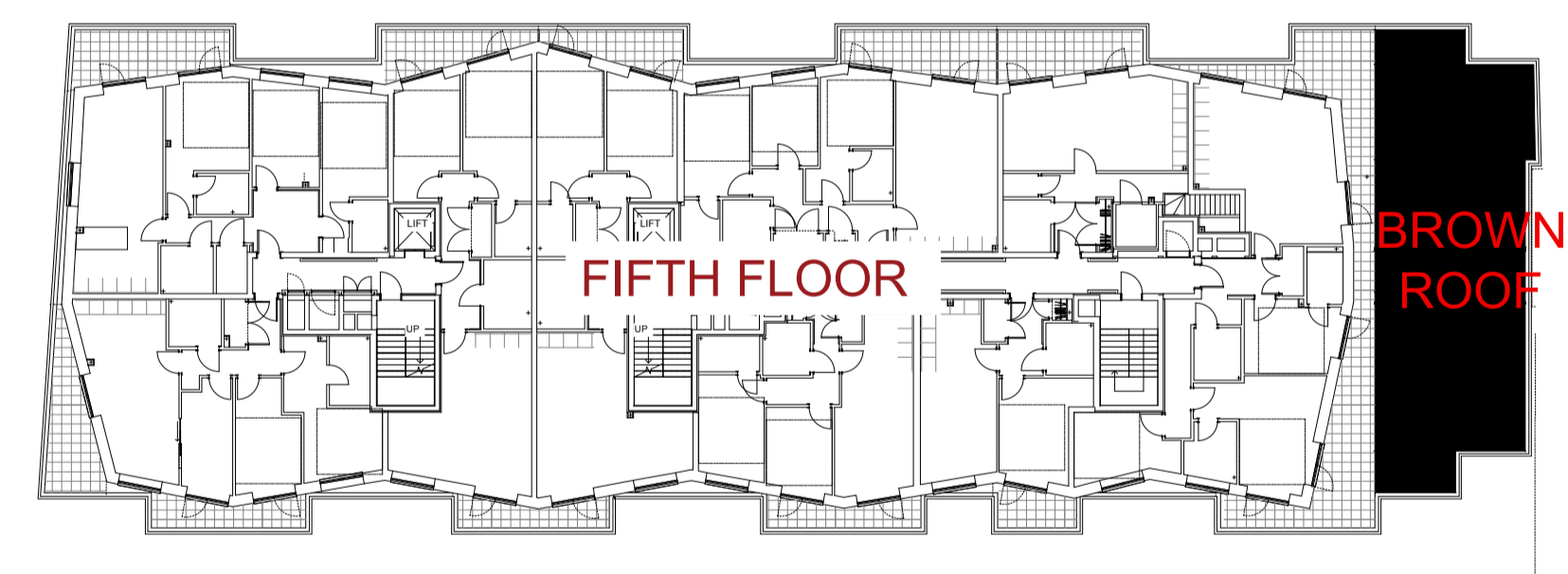
3 HERBACEOUS PLANTING
1 : 20



4 CLIMBER PLANTING
1 : 20



5 BROWN ROOF (FIFTH FLOOR)
1 : 20



KEY PLAN (FIFTH FLOOR)
1 : 300

Revision B	Date 2018-02-27	Drawn by MD	Authorised by RSL
SOIL DEPTH INCREASED			
Revision A	Date 2017-08-03	Drawn by ME	Authorised by PI
CLIENT COMMENTS INCORPORATED			
Scale		METERS	1:20
0		2	4
		North	
RANDLE SIDDELEY			
LANDSCAPE ARCHITECTURE & CONSTRUCTION			
<small>office@randsiddeley.co.uk www.randsiddeley.co.uk +44 (0)20 7627 7272</small>			
Client	GOD FREY LONDON		
Project	254 KILBURN HIGH ROAD		
Drawing	LANDSCAPE DETAILS PLANTING		
Paper size	1/20 @A1	Job No.	2149
Date	14.07.2017	Drawn	ME
Checked	PI	Authorised	RSA
Purpose of Issue	STAGE E		
<small>Do not scale from drawing. Contractors must verify all dimensions on site before commencing any work or shop drawings. Figure dimensions are to be used in preference to scaled dimensions. If this drawing exceeds the quantities taken in any way the architects are to be informed before work is initiated.</small>			
<small>© Randle Siddeley Associates</small>			
Drawing No.	2149-030-008	Revision No.	B

XREF: T:\3-Live_projects\2149_254_Kilburn_High_Road\40-CAD\42-Working\Series-030-Details\17-08-02_Stage E - RevA\2149-030-001.dwg