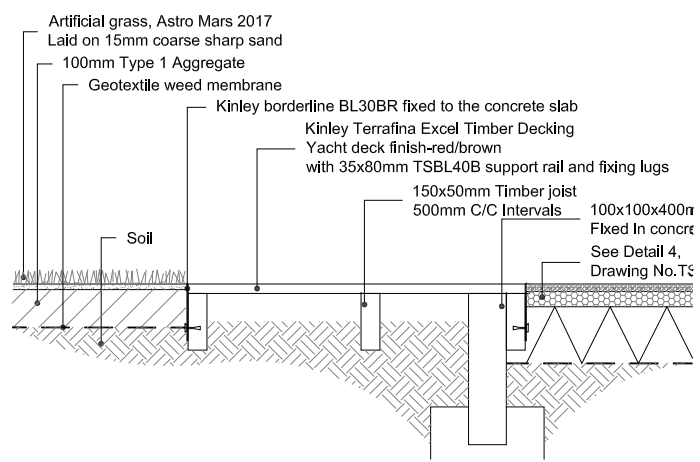
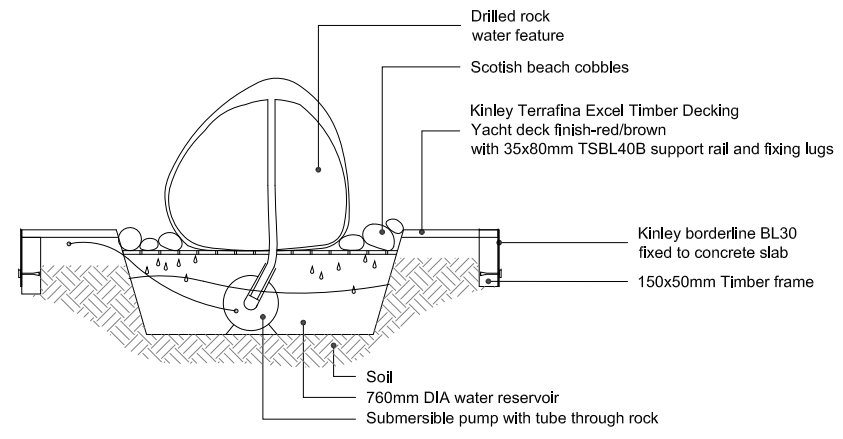


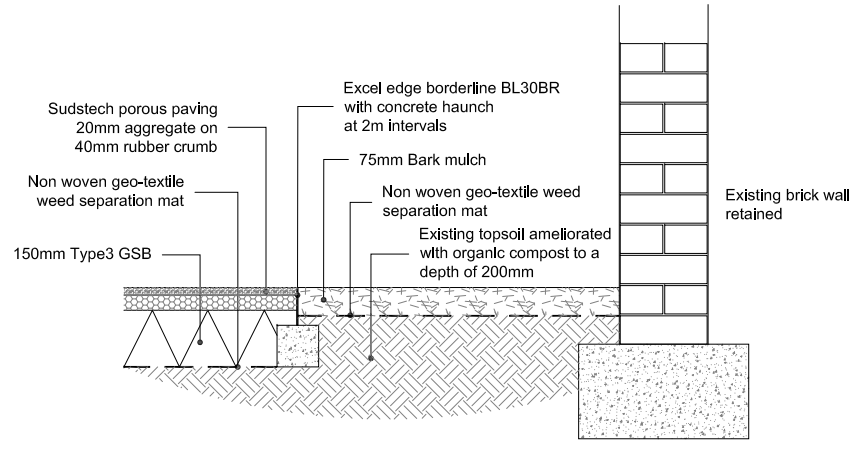
1 Section Through Planting Area - Seating Stone - Artificial Grass
TS-DT-001



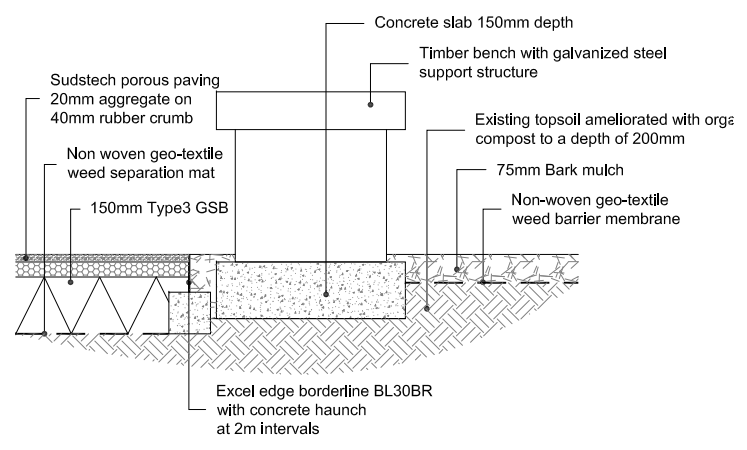
2 Section Through Artificial Grass - Timber Decking
TS-DT-001



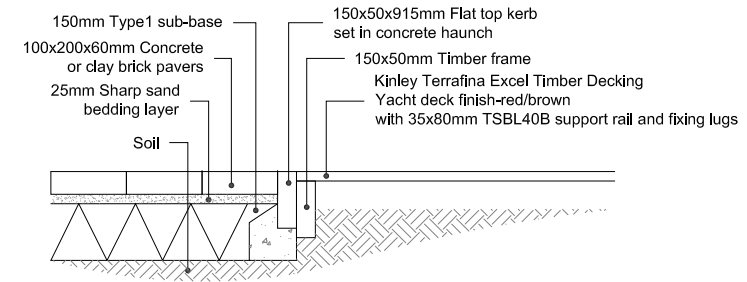
3 Section Through Water Feature
TS-DT-001



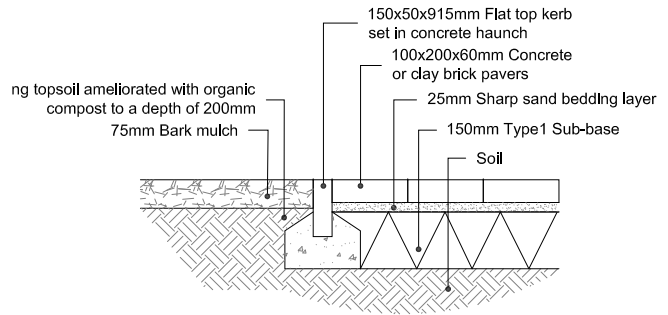
4 Section Through Resin Bound Gravel - Planting Area
TS-DT-001



5 Section Through Resin Bound Gravel - Bench - Planting Area
TS-DT-001



6 Section Through Block Paving - Flat Top Edging - Timber Decking
TS-DT-001



7 Section Through Planting Area - Flat Top Edging - Block Paving
TS-DT-001

A 20.11.2017 VK Existing wall retained and the timber decking's frame has been indicated. All relative sections has been updated.

CLIENT APPROVAL	
A - APPROVED	
B - APPROVED WITH COMMENTS	
C - DO NOT USE	
CLIENT	
Birkbeck College	
PROJECT	
Torrington Square	
DRAWING TITLE	
Typical Details Sheet 1	
STATUS	PURPOSE OF ISSUE
	Tender
DRAWING NUMBER	REV
TS-WA-DT-GF-DR-L-001	A
DRAWN BY	CHECKED BY
KF	PW
DATE	
31/08/2017	
SCALE @ A3	PROJECT NUMBER
1:50	1566
wilder ASSOCIATES URBAN & ENVIRONMENTAL LAND PLANNING	
177 Moor Road, Birkbeck House, Uxbridge, Middlesex, London, UB8 3PH T: 01895 830300 F: 01895 830303 E: info@wilderassociates.com W: www.wilderassociates.com	

