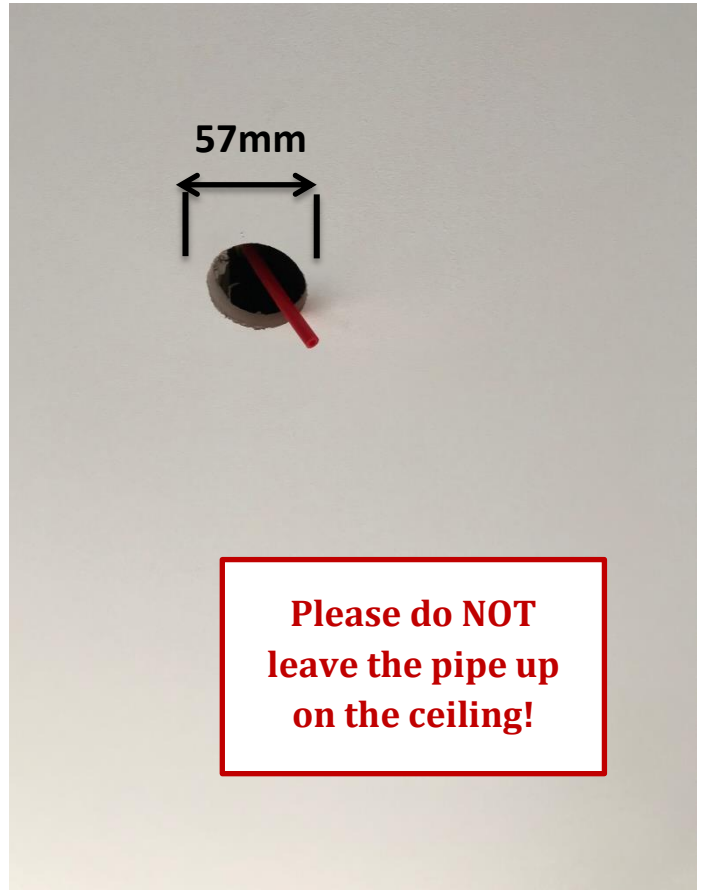
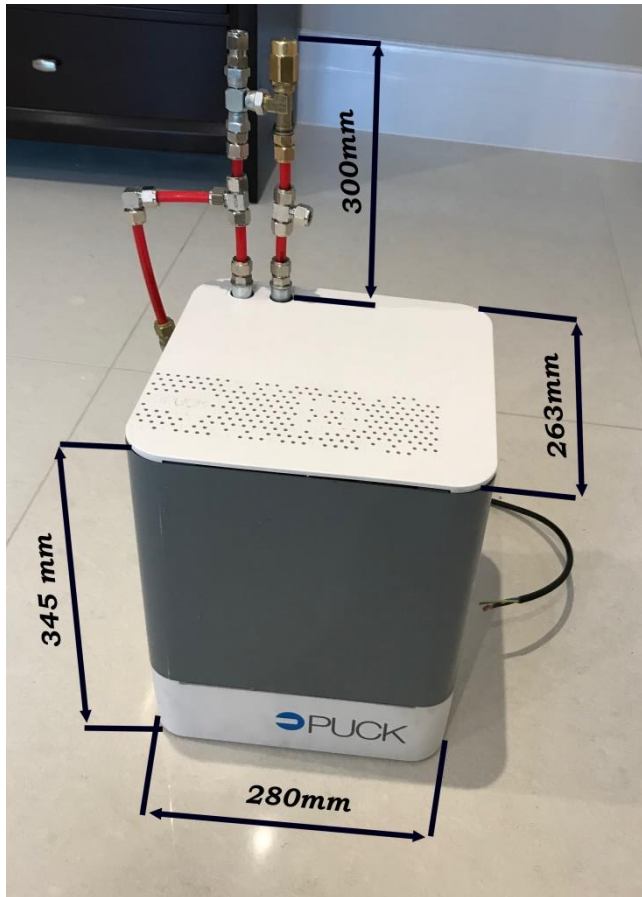
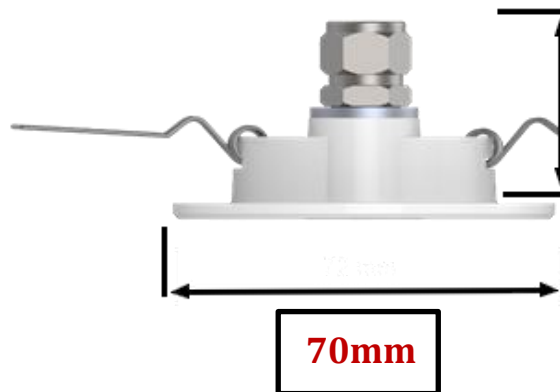


Important Information / Specification (Client's Responsibility)



Important information

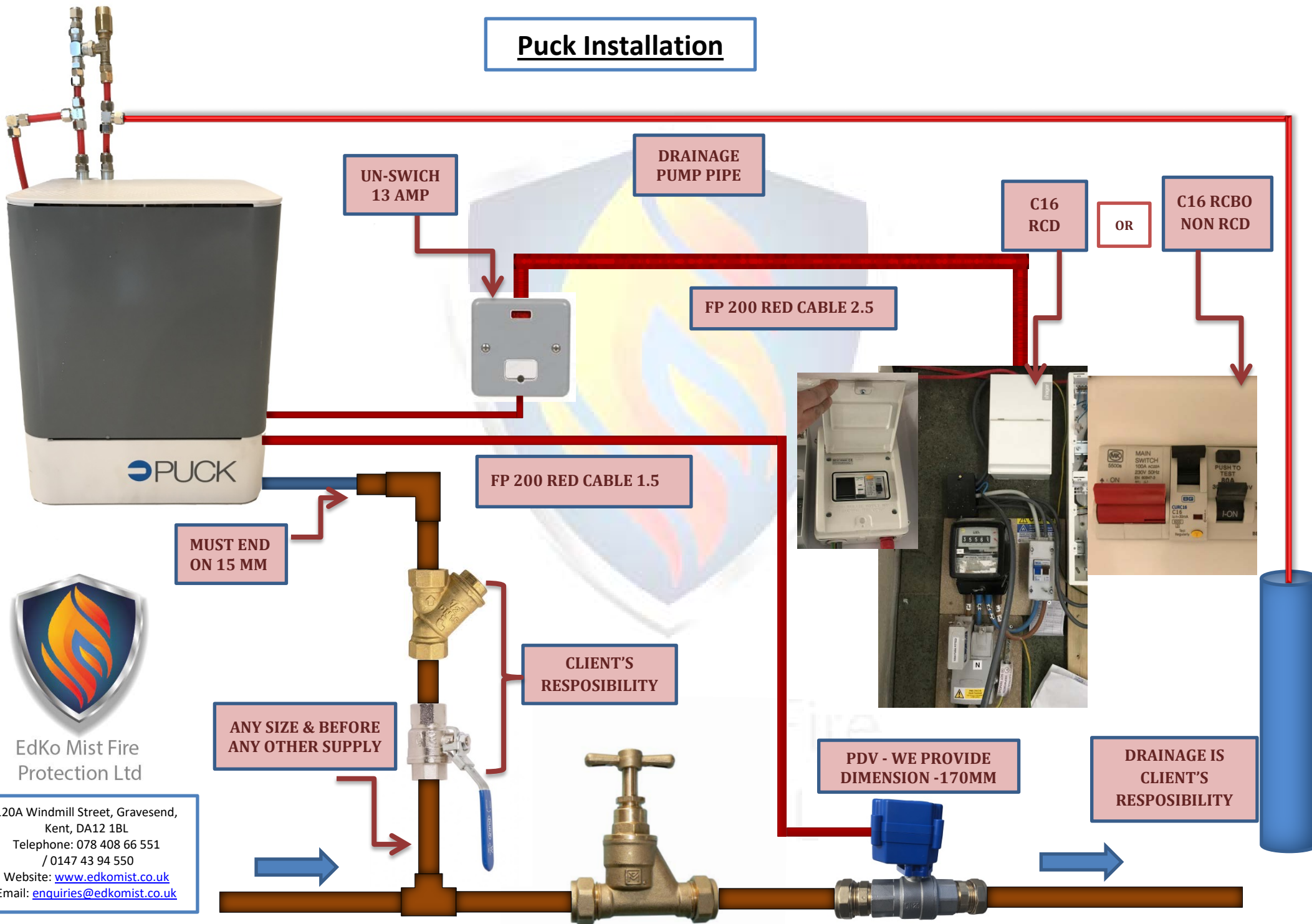
- Please leave the hose out from ceiling (we don't take responsibility to look for the hose or to damage the ceiling if was left behind plasterboard).
- If the holes are not done we don't take responsibility for any damage.
- We need to have electricity and water running on 2nd fix day
- The water supply and the fuse spur must be near to the pump (no further then 300mm)
- The place where pump is located must be clean on 2nd fix day.
- A drain off supply for the waste pipe on the PUCK system must be run.



The depth must be minimum 100mm

70mm

Puck Installation



EdKo Mist Fire Protection Ltd

120A Windmill Street, Gravesend,
Kent, DA12 1BL
Telephone: 078 408 66 551
/ 0147 43 94 550
Website: www.edkomist.co.uk
Email: enquiries@edkomist.co.uk