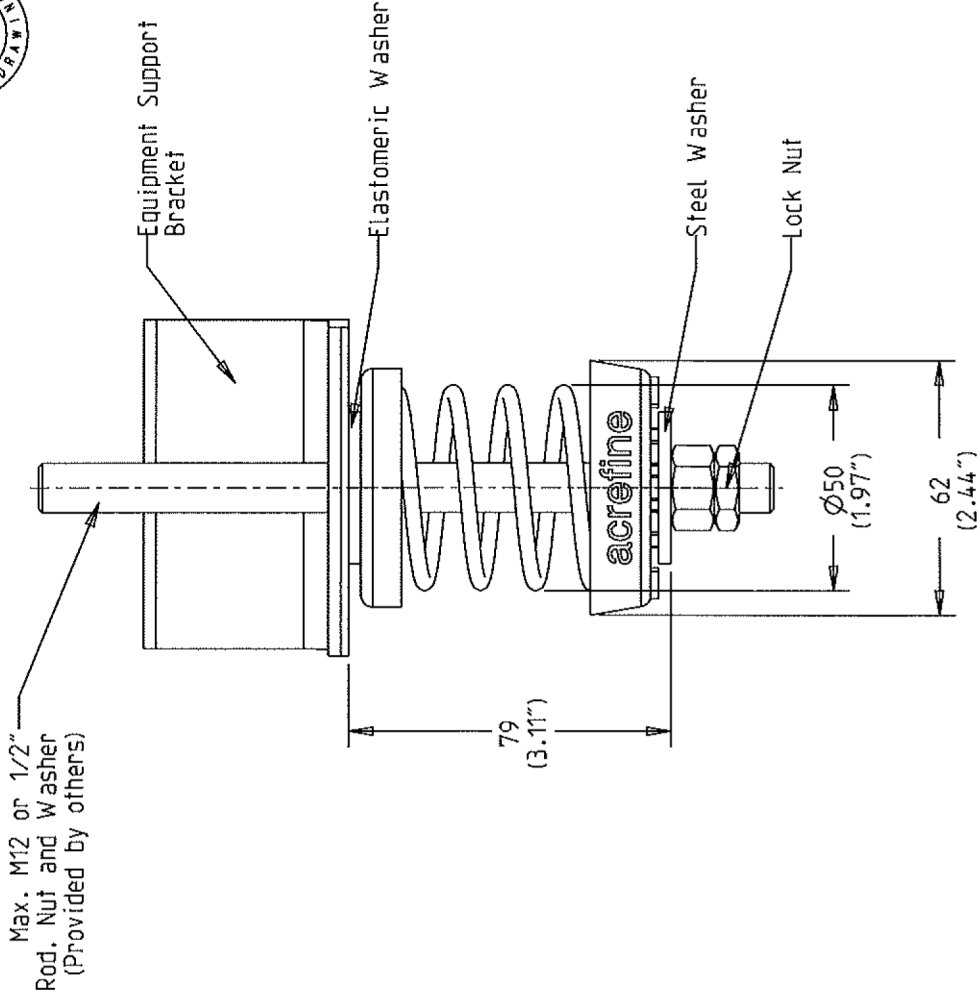
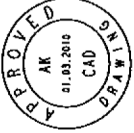


REV.	DESCRIPTION	DATE	MADE BY	APP'1
0	Released from engineering.	01.03.10	MMD	AK



ISOLATOR PROPERTIES			
METRIC	ISOLATOR TYPE	Load Capacity (kg)	Outer Spring Colour
	AH-OS-1A-7	7	Grey
	AH-OS-1A-12	12	Green
	AH-OS-1A-25	25	Blue
	AH-OS-1A-50	50	Beige
	AH-OS-1A-70	70	Red
	AH-OS-1A-95	95	White
	AH-OS-1A-140	140	Black
	AH-OS-1A-185	185	Yellow
	AH-OS-1A-230	230	Black
	AH-OS-1A-275	275	Yellow
			Green
			Green

ISOLATOR PROPERTIES			
IMPERIAL	ISOLATOR TYPE	Load Capacity (lb)	Outer Spring Colour
	AH-OS-1A-7	15	Grey
	AH-OS-1A-12	26	Green
	AH-OS-1A-25	55	Blue
	AH-OS-1A-50	110	Beige
	AH-OS-1A-70	154	Red
	AH-OS-1A-95	209	White
	AH-OS-1A-140	309	Black
	AH-OS-1A-185	408	Yellow
	AH-OS-1A-230	507	Black
	AH-OS-1A-275	606	Yellow
			Green
			Green

Notes:
 1. Specified Load Capacity is the max. allowable load for a single isolator and this value must not be exceeded.
 2. Isolator must be installed per installation instruction 9190.

POD	DESCRIPTION	AH-OS-1A Type Open Spring Isolation Hanger with 1" Deflection		
	PROJECT	PROJECT		
PERFORMANCE OUTLINE DRAWING	CUSTOMER	ENGINEER	DATE	PROJECT No.
PROJECT SUBMITTAL INFORMATION	DRAWING No.		DRAWN BY	REV
	8300		MMD	0
	01.03.2010		DATE	
	NTS		SCALE	A3
acrefine ENGINEERING				

Acrefine Spring Hanger
Steel Housed Spring Vibration Isolation Hanger

AH-S Type



DESCRIPTION

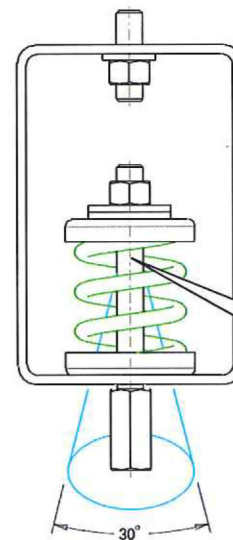
Acrefine AH-S type vibration isolation hangers are designed to minimize vibration and noise transmission from suspended equipment and piping. The hangers have welded steel housing. The steel housing is designed to compensate for rod misalignment of up to 30° in any direction.

Vibration isolation is achieved by free-standing laterally-stable steel springs. Springs are designed with 50% overload capacity and the lateral spring stiffness is greater than the vertical stiffness to assure seismic stability. All springs are colour coded for easy identification.

AH-S type hangers are supplied with a coupling nut for easy installation. If required the springs can be preloaded to save valuable installation time.

KEY FEATURES

- ✓ Powder coated and colour coded springs
- ✓ Load capacity up to 1140 kg (2514 lb) on standard range
- ✓ Standard spring deflection of 25 mm (1") or 50 mm (2")
- ✓ Compensates for up to 30° rod misalignment
- ✓ Can be preloaded to save valuable installation time
- ✓ Field interchangeable springs
- ✓ Supplied with coupling nut



Rod misalignment compensated for up to 15° in any direction at nominal spring deflection

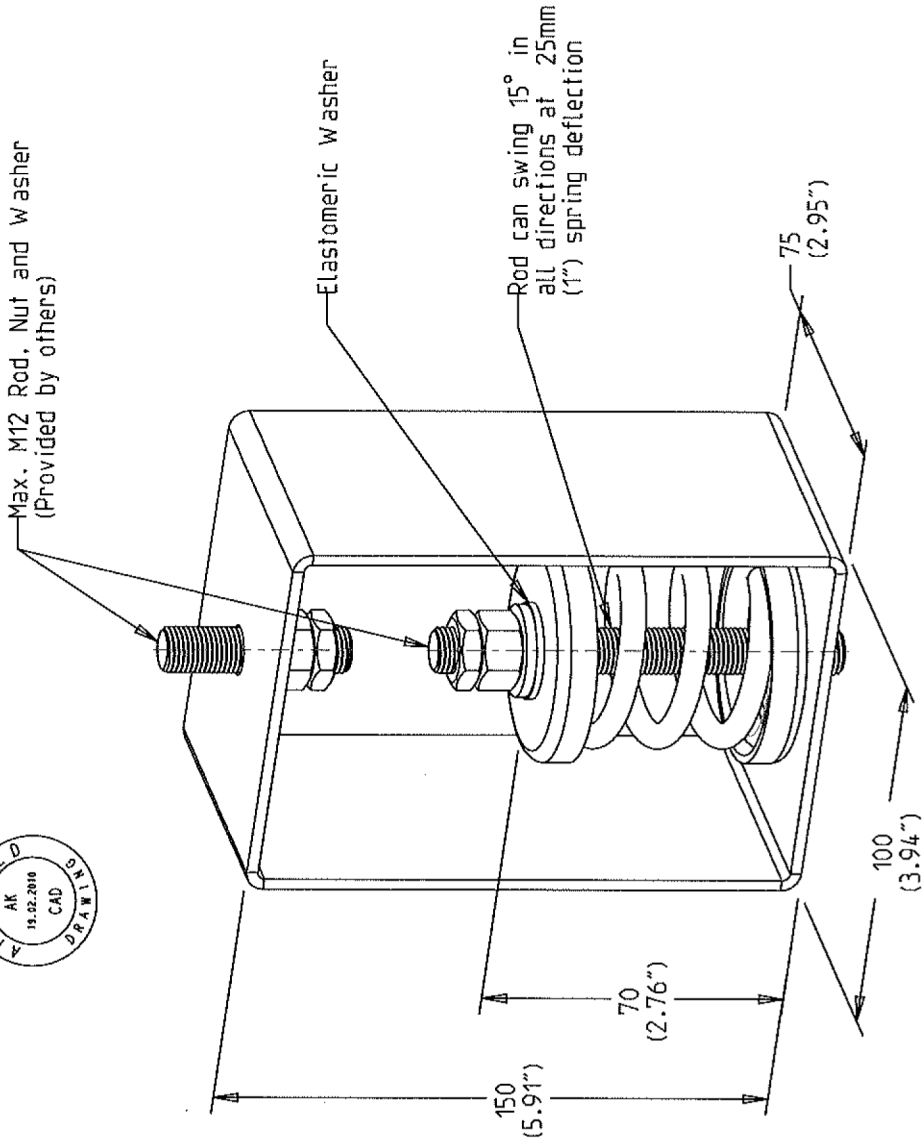
APPLICATIONS

Acrefine AH-S type vibration isolation hangers are suitable for suspended mechanical equipment that generates low frequency vibration i.e. in-line fans, exhaust fans, cabinet fans, etc. These hangers are also used on piping and ductwork which is in close proximity to mechanical equipment.

AH-S type vibration isolation hangers are available in 25 mm (1") and 50 mm (2") deflection as a standard. The load range is from 7 kg (15 lb) to 1140 kg (2514 lb). For higher deflection and/or load capacities please contact us.



REV.	DESCRIPTION	DATE	MADE BY	APP'L
0	Released from engineering.	16.02.10	MMD	AK



METRIC ISOLATOR PROPERTIES		
ISOLATOR TYPE	Load Capacity (kg)	Spring Colour
AH-S-1A-7	7	Grey
AH-S-1A-12	12	Green
AH-S-1A-25	25	Blue
AH-S-1A-50	50	Beige
AH-S-1A-70	70	Red
AH-S-1A-95	95	White
AH-S-1A-140	140	Black
AH-S-1A-185	185	Yellow

IMPERIAL ISOLATOR PROPERTIES		
ISOLATOR TYPE	Load Capacity (lb)	Spring Colour
AH-S-1A-7	15	Grey
AH-S-1A-12	26	Green
AH-S-1A-25	55	Blue
AH-S-1A-50	110	Beige
AH-S-1A-70	154	Red
AH-S-1A-95	209	White
AH-S-1A-140	309	Black
AH-S-1A-185	408	Yellow

Notes:
 1. Specified Load Capacity is the max. allowable load for a single isolator and this value must not be exceeded.
 2. Isolator must be installed per installation instruction 9160.

POD
 PERFORMANCE OUTLINE DRAWING

CUSTOMER	PROJECT
ENGINEER	LOCATION
DATE	
PROJECT No.	

DESCRIPTION
 AH-S-1A Type Isolation Hanger with 1° Deflection

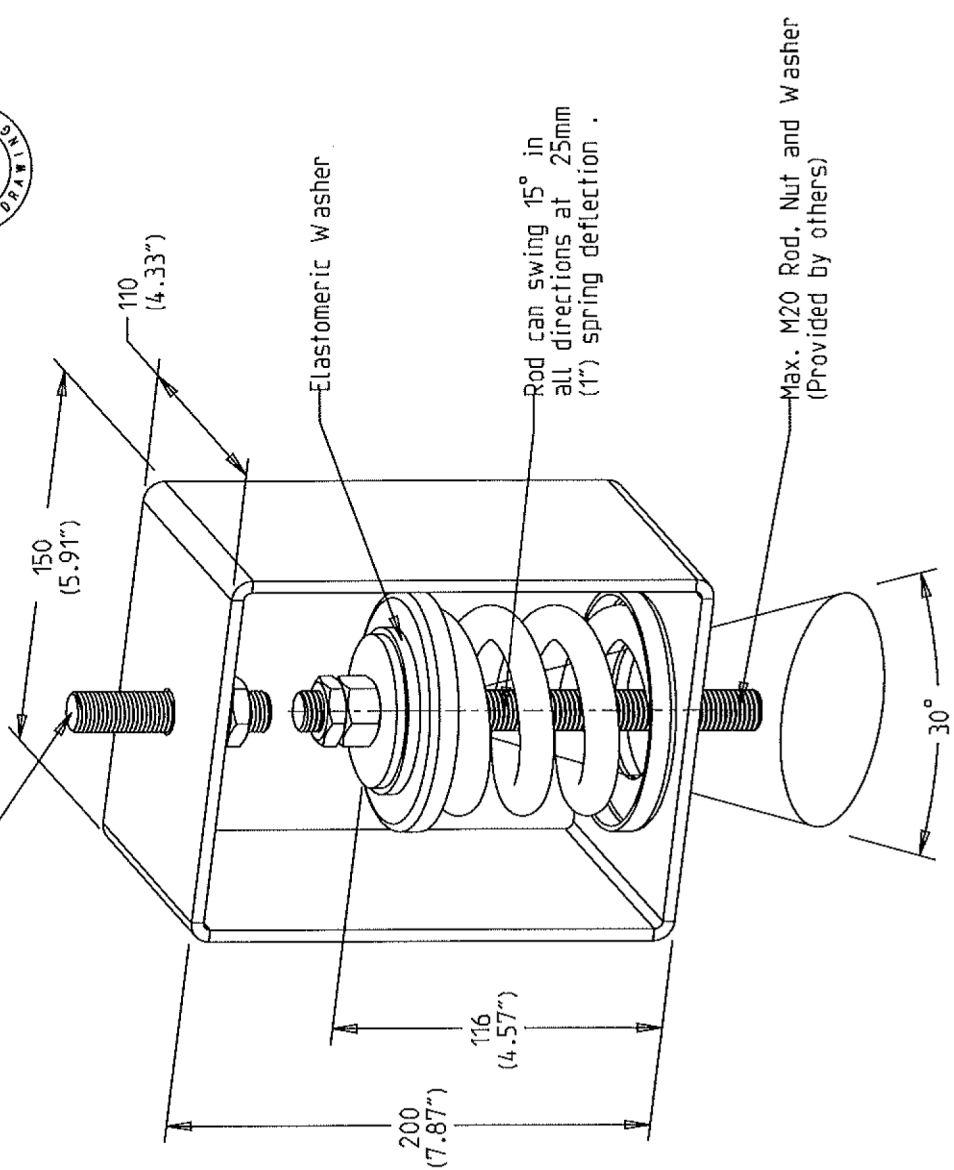
acrefine®
 ENGINEERING

DRAWING No.	REV
8225	0
DRAWN BY	
MMD	
DATE	
16.02.2010	
SCALE	
NTS	
	A3

REV.	DESCRIPTION	DATE	MADE BY	APP'L
0	Released from Engineering.	18.07.11	MMD	EK



Max. M20 Rod, Nut and Washer
(Provided by others)



ISOLATOR PROPERTIES		
METRIC	ISOLATOR TYPE	ISOLATOR PROPERTIES
		Load Capacity (kg)
	AH-S-1B-70	70
	AH-S-1B-140	140
	AH-S-1B-230	230
	AH-S-1B-460	460
	AH-S-1B-640	640
	AH-S-1B-820	820

ISOLATOR PROPERTIES		
IMPERIAL	ISOLATOR TYPE	ISOLATOR PROPERTIES
		Load Capacity (lb)
	AH-S-1B-70	154
	AH-S-1B-140	309
	AH-S-1B-230	507
	AH-S-1B-460	1014
	AH-S-1B-640	1411
	AH-S-1B-820	1808

Notes:
 1. Specified load capacity is the max. allowable load for a single isolator and this value must not be exceeded.
 2. Isolator must be installed per installation instruction 9160.

POD PERFORMANCE OUTLINE DRAWING	CUSTOMER		PROJECT		DRAWING No.	8227	REV	
	ENGINEER		PROJECT		DRAWN BY	MMD		
DATE		LOCATION		DATE	17.02.2010			
PROJECT No.				SCALE	NTS			A3

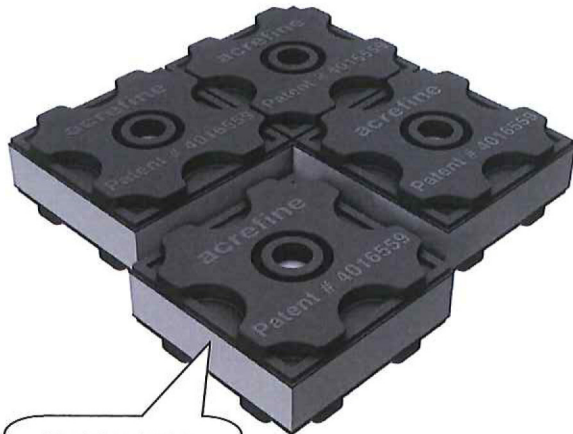
DESCRIPTION: AH-S-1B Type Isolation Hanger with 1" Deflection

ENGINEERING: **acrefine®**

Acrefine Pad Isolator

Modular Copolymer & Rubber Vibration Isolation Pad

API-MC Type



Modular design easily cut to required size

DESCRIPTION

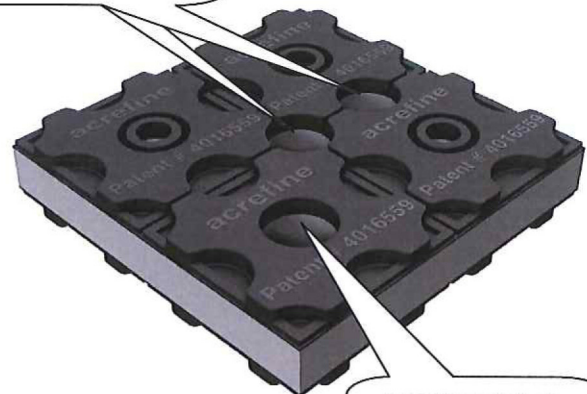
Acrefine API-MC type rubber pad is designed to minimize vibration and noise transmission from floor mounted equipment. API-MC incorporates a sandwiched design where special copolymer material is laid between two layers of modular rubber. This special structure has elastomeric properties that outperform conventional materials such as cork and shredded rubber.

Pads are manufactured in 357x357 mm (14"x14") size and can be cut to any combination of 50 mm (2") dimension sizes. The standard thickness of the pad is 22 mm (0.87"). Modules are made of 50x50x22 mm (2"x2"x7/8") sizes. The design also allows for holes to be cut for any combination of modules (see figure below).

KEY FEATURES

- ✓ Modular design incorporating rubber and composite material
- ✓ Thickness of 22 mm (0.87")
- ✓ Designed for 380 kPa (55 psi)
- ✓ Fixing hole can be cut for any size and combination
- ✓ Can be stacked with steel plates to achieve high deflection
- ✓ Easily cut to required size

Fixing holes can be cut at required locations



The through hole diameter can be increased by cutting

APPLICATIONS

Acrefine API-MC type vibration isolators are suitable for floor mounted mechanical equipment that generates high frequency vibration i.e. pumps, chillers, compressors, centrifugal fans, blower-coil units, vent sets, low pressure packaged air-handling units, etc.

API-MC type vibration isolation pads are available with up to 5 mm (0.197") deflection at 380 kPa (55 psi). If higher deflections are required the pads can be stacked with steel plates between layers.



TESTED & CERTIFIED PRODUCTS



ANSI/ASHRAE Standard 171-2008
Method of Testing Seismic Restraint Devices for HVAC&R Equipment

