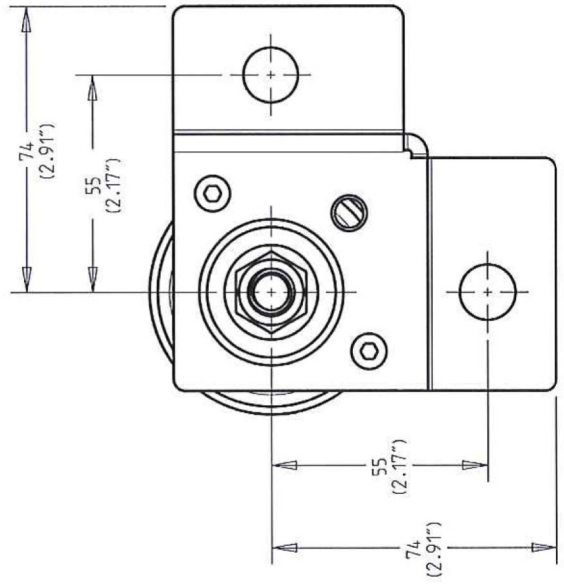
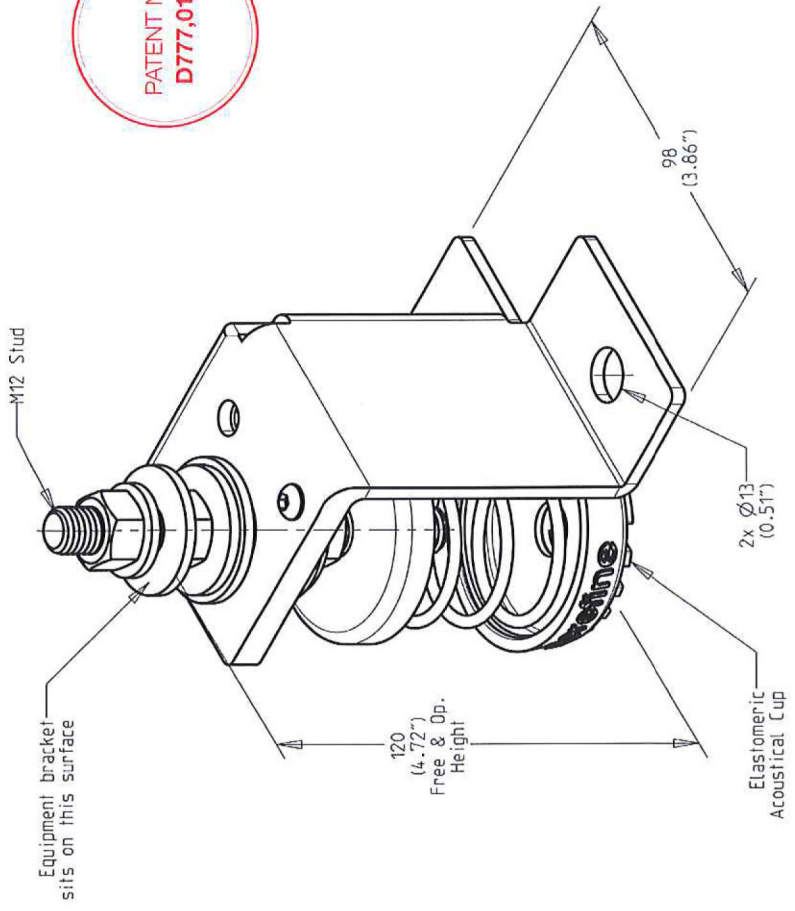
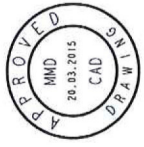


REV.	DESCRIPTION	DATE	MADE BY	APP'L
1	Added hole for thread-rolling screws.	20.03.15	EY	MMD



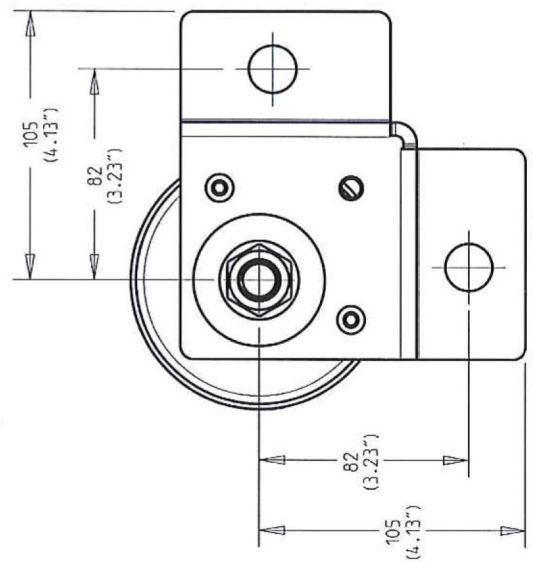
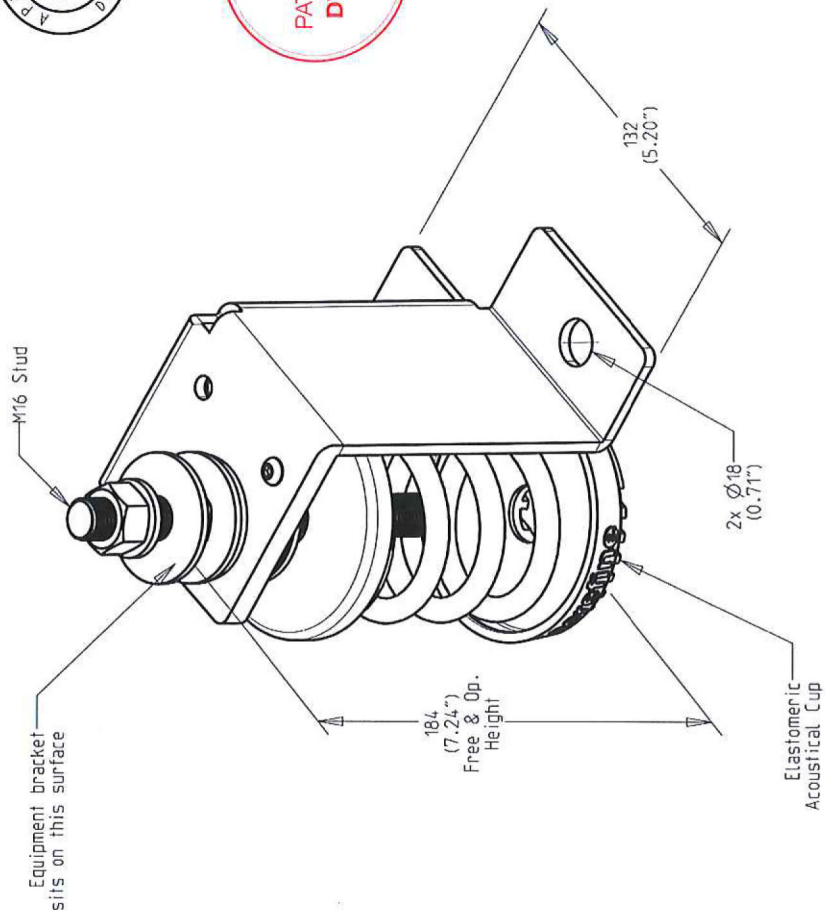
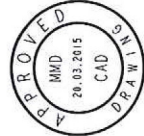
Mounting Detail

METRIC		ISOLATOR PROPERTIES		IMPERIAL		ISOLATOR PROPERTIES	
ISOLATOR TYPE	Load Capacity (kkg)	Outer Spring Colour	Inner Spring Colour	ISOLATOR TYPE	Load Capacity (lb)	Outer Spring Colour	Inner Spring Colour
ASI-V-1A-7	7	Grey	-	ASI-V-1A-7	15	Grey	-
ASI-V-1A-12	12	Green	-	ASI-V-1A-12	26	Green	-
ASI-V-1A-25	25	Blue	-	ASI-V-1A-25	55	Blue	-
ASI-V-1A-50	50	Beige	-	ASI-V-1A-50	110	Beige	-
ASI-V-1A-70	70	Red	-	ASI-V-1A-70	154	Red	-
ASI-V-1A-95	95	White	-	ASI-V-1A-95	209	White	-
ASI-V-1A-140	140	Black	-	ASI-V-1A-140	309	Black	-
ASI-V-1A-185	185	Yellow	-	ASI-V-1A-185	408	Yellow	-
ASI-V-1A-230	230	Black	Green	ASI-V-1A-230	507	Black	Green
ASI-V-1A-275	275	Yellow	Green	ASI-V-1A-275	606	Yellow	Green

Notes:
 1. Specified Load Capacity is the max. allowable load for a single isolator and this value must not be exceeded.
 2. Isolator must be installed per installation instruction 9062.

POD PERFORMANCE OUTLINE DRAWING	DESCRIPTION		acrefine [®] ENGINEERING	
	ASI-V-1A Type Housed Isolator with 1" Deflection		DRAWING No.	8085
CUSTOMER	PROJECT	DRAWN BY	MMD	REV
ENGINEER	LOCATION	DATE	06.08.2014	1
DATE	PROJECT No.	SCALE	NTS	A3

REV.	DESCRIPTION	DATE	MADE BY	APP'L
1	Added hole for thread-rolling screws.	20.03.15	EY	MMD



Mounting Detail

METRIC			ISOLATOR PROPERTIES			IMPERIAL			ISOLATOR PROPERTIES		
ISOLATOR TYPE	Load Capacity (kg)	Outer Spring Colour	Inner Spring Colour	ISOLATOR TYPE	Load Capacity (lb)	Outer Spring Colour	Inner Spring Colour	ISOLATOR TYPE	Load Capacity (lb)	Outer Spring Colour	Inner Spring Colour
ASI-V-2A-35	35	White	-	ASI-V-2A-35	77	White	-				
ASI-V-2A-60	60	Black	-	ASI-V-2A-60	132	Black	-				
ASI-V-2A-85	85	White	Green	ASI-V-2A-85	187	White	Green				
ASI-V-2A-95	95	Green	-	ASI-V-2A-95	209	Green	-				
ASI-V-2A-110	110	Black	Green	ASI-V-2A-110	243	Black	Green				
ASI-V-2A-145	145	Green	Green	ASI-V-2A-145	320	Green	Green				
ASI-V-2A-185	185	Yellow	-	ASI-V-2A-185	408	Yellow	-				
ASI-V-2A-235	235	Yellow	Green	ASI-V-2A-235	518	Yellow	Green				
ASI-V-2A-275	275	Blue	-	ASI-V-2A-275	606	Blue	-				
ASI-V-2A-325	325	Blue	Green	ASI-V-2A-325	717	Blue	Green				
ASI-V-2A-370	370	Beige	-	ASI-V-2A-370	816	Beige	-				
ASI-V-2A-420	420	Beige	Green	ASI-V-2A-420	926	Beige	Green				
ASI-V-2A-460	460	Red	-	ASI-V-2A-460	1014	Red	-				
ASI-V-2A-505	505	Blue	Yellow	ASI-V-2A-505	1114	Blue	Yellow				
ASI-V-2A-550	550	Yellow	Blue	ASI-V-2A-550	1213	Yellow	Blue				
ASI-V-2A-600	600	Beige	Yellow	ASI-V-2A-600	1323	Beige	Yellow				
ASI-V-2A-640	640	Blue	Blue	ASI-V-2A-640	1411	Blue	Blue				
ASI-V-2A-690	690	Red	Yellow	ASI-V-2A-690	1521	Red	Yellow				
ASI-V-2A-735	735	Beige	Blue	ASI-V-2A-735	1621	Beige	Blue				
ASI-V-2A-825	825	Red	Blue	ASI-V-2A-825	1819	Red	Blue				

Notes:
 1. Specified Load Capacity is the max. allowable load for a single isolator and this value must not be exceeded.
 2. Isolator must be installed per installation instruction 9062.

POD
PERFORMANCE OUTLINE DRAWING

CUSTOMER: _____
 ENGINEER: _____
 DATE: _____
 PROJECT No.: _____

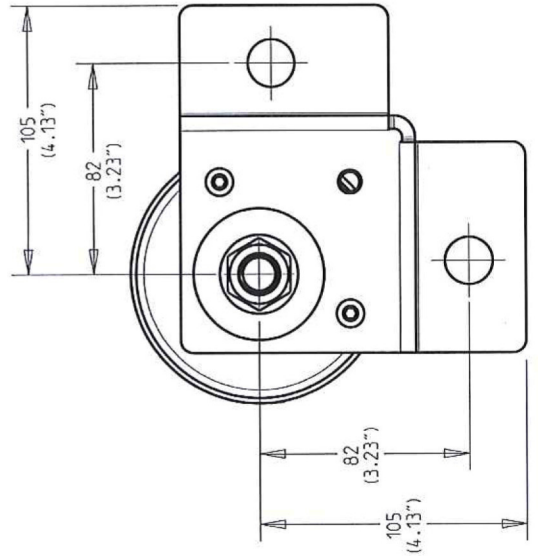
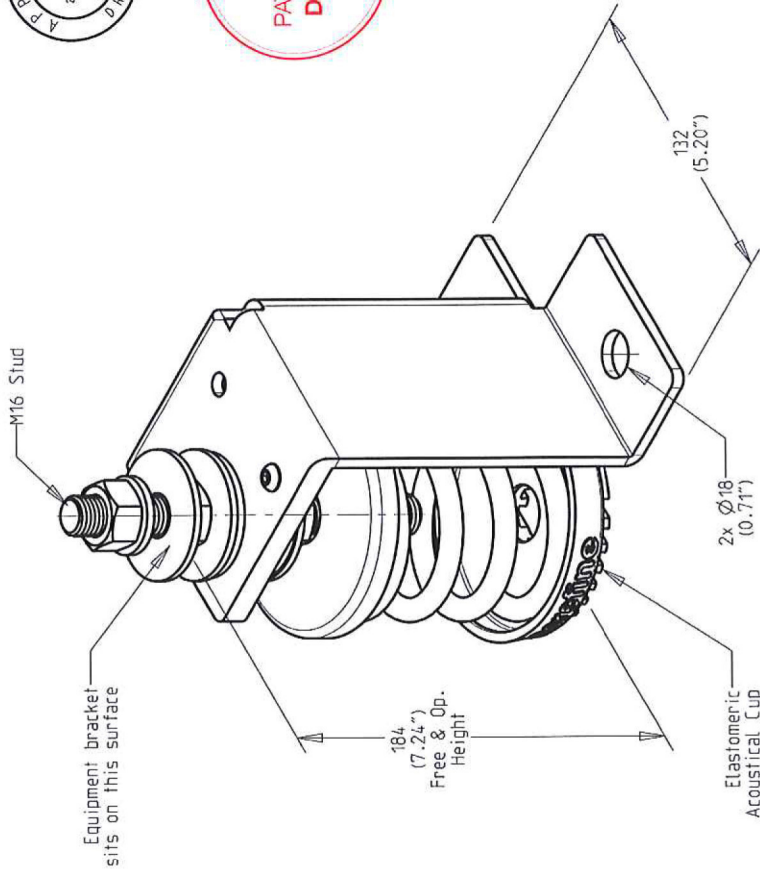
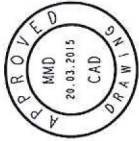
PROJECT: _____
 LOCATION: _____

DESCRIPTION: ASI-V-2A Type Spring Isolator with 2" Deflection

acrefine
ENGINEERING

DRAWING No.	8087	REV	
DRAWN BY	MMD		1
DATE	06.08.2014		
SCALE	NTS		A3

REV.	DESCRIPTION	DATE	MADE BY	APP'L
1	Added hole for thread-rolling screws.	20.03.15	EY	MMD



Mounting Detail

METRIC		ISOLATOR PROPERTIES	
ISOLATOR TYPE	Load Capacity (kg)	Outer Spring Colour	Inner Spring Colour
ASI-V-1B-70	70	Green	-
ASI-V-1B-95	95	Green	Green
ASI-V-1B-120	120	Green	Yellow
ASI-V-1B-140	140	Yellow	-
ASI-V-1B-165	165	Yellow	Green
ASI-V-1B-190	190	Yellow	Yellow
ASI-V-1B-210	210	Yellow	Blue
ASI-V-1B-230	230	Blue	-
ASI-V-1B-255	255	Blue	Green
ASI-V-1B-280	280	Blue	Yellow
ASI-V-1B-300	300	Blue	Blue
ASI-V-1B-325	325	Blue	Beige
ASI-V-1B-370	370	Blue	Red
ASI-V-1B-415	415	Blue	White
ASI-V-1B-460	460	Beige	-
ASI-V-1B-510	510	Beige	Yellow
ASI-V-1B-555	555	Beige	Beige
ASI-V-1B-600	600	Beige	Red
ASI-V-1B-640	640	Red	-
ASI-V-1B-690	690	Beige	Black
ASI-V-1B-735	735	Red	Beige
ASI-V-1B-780	780	Red	Red
ASI-V-1B-820	820	White	-
ASI-V-1B-870	870	Red	Black
ASI-V-1B-915	915	White	Beige
ASI-V-1B-960	960	White	Red
ASI-V-1B-1005	1005	White	White
ASI-V-1B-1050	1050	White	Black
ASI-V-1B-1095	1095	White	Purple
ASI-V-1B-1140	1140	White	Orange
ASI-V-1B-1190	1190	White	Cyan
ASI-V-1B-1280	1280	White	Brown

IMPERIAL		ISOLATOR PROPERTIES	
ISOLATOR TYPE	Load Capacity (lb)	Outer Spring Colour	Inner Spring Colour
ASI-V-1B-70	154	Green	-
ASI-V-1B-95	209	Green	Green
ASI-V-1B-120	265	Green	Yellow
ASI-V-1B-140	309	Yellow	-
ASI-V-1B-165	364	Yellow	Green
ASI-V-1B-190	419	Yellow	Yellow
ASI-V-1B-210	463	Yellow	Blue
ASI-V-1B-230	507	Blue	-
ASI-V-1B-255	562	Blue	Green
ASI-V-1B-280	617	Blue	Yellow
ASI-V-1B-300	662	Blue	Blue
ASI-V-1B-325	717	Blue	Beige
ASI-V-1B-370	816	Blue	Red
ASI-V-1B-415	915	Blue	White
ASI-V-1B-460	1014	Beige	-
ASI-V-1B-510	1125	Beige	Yellow
ASI-V-1B-555	1224	Beige	Beige
ASI-V-1B-600	1323	Beige	Red
ASI-V-1B-640	1411	Red	-
ASI-V-1B-690	1521	Beige	Black
ASI-V-1B-735	1621	Red	Beige
ASI-V-1B-780	1720	Red	Red
ASI-V-1B-820	1808	White	-
ASI-V-1B-870	1918	Red	Black
ASI-V-1B-915	2018	White	Beige
ASI-V-1B-960	2117	White	Red
ASI-V-1B-1005	2216	White	White
ASI-V-1B-1050	2315	White	Black
ASI-V-1B-1095	2414	White	Purple
ASI-V-1B-1140	2514	White	Orange
ASI-V-1B-1190	2624	White	Cyan
ASI-V-1B-1280	2822	White	Brown

Notes:
 1. Specified Load Capacity is the max. allowable load for a single isolator and this value must not be exceeded.
 2. Isolator must be installed per installation instruction 9062.

POD PERFORMANCE OUTLINE DRAWING	PROJECT	DRAWING No.	REV
	CUSTOMER	8086	1
ENGINEER	MMD	DRAWN BY	
DATE	06.08.2014	DATE	
PROJECT No.		SCALE	NTS A3
DESCRIPTION ASI-V-1B Type Spring Isolator with 1" Deflection		acrefine ENGINEERING	