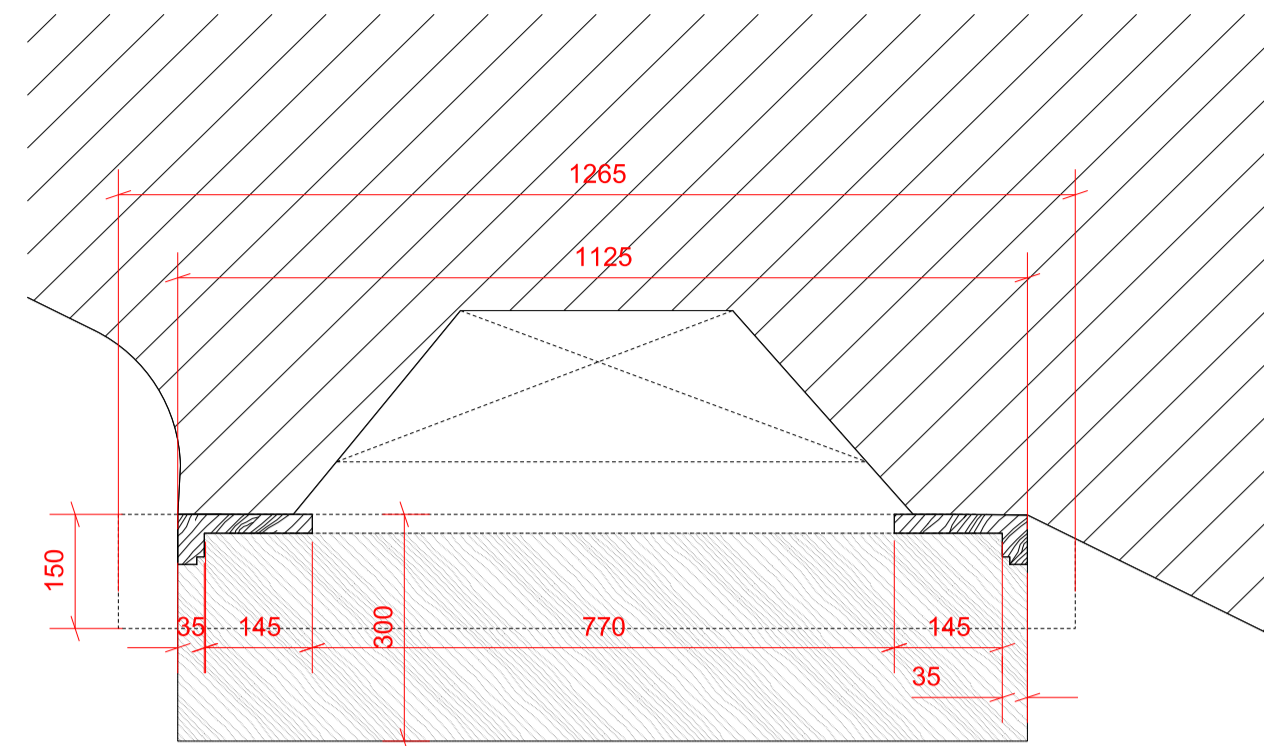
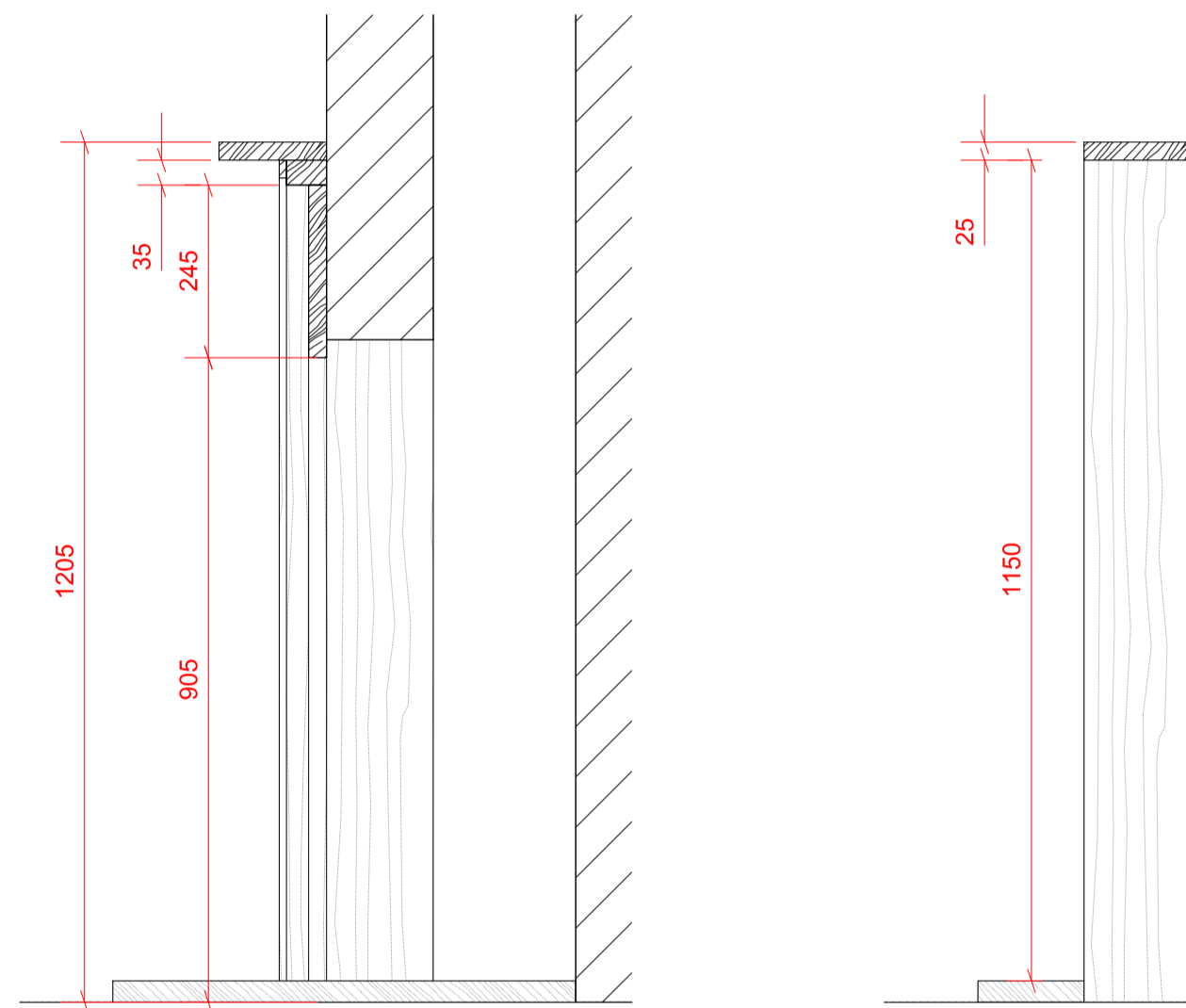


700\_504  
01 Fireplace K  
Bedroom IV Fireplace Plan  
r3.02

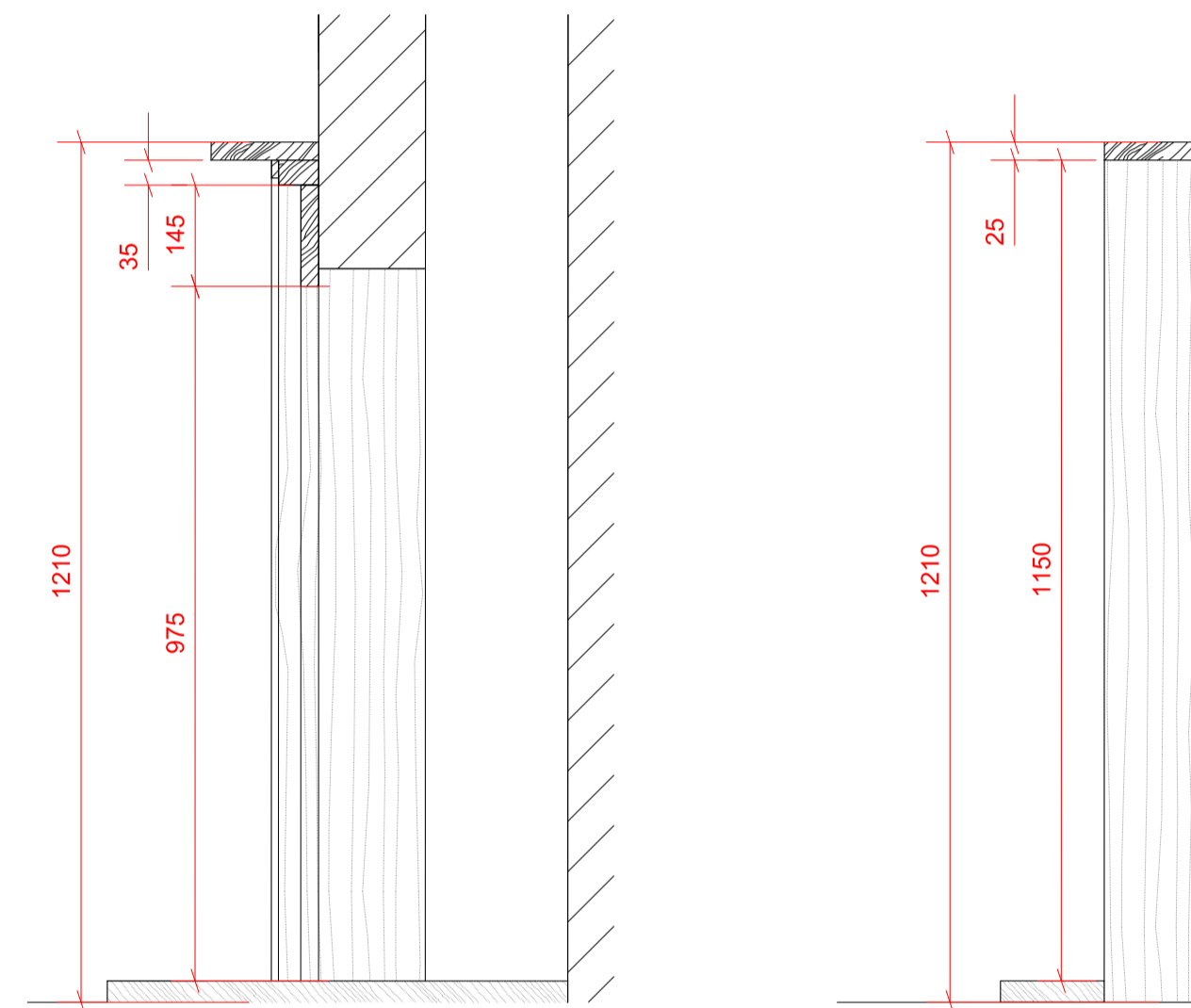


700\_504  
05 Fireplace L  
Bedroom V Fireplace Plan  
r3.05



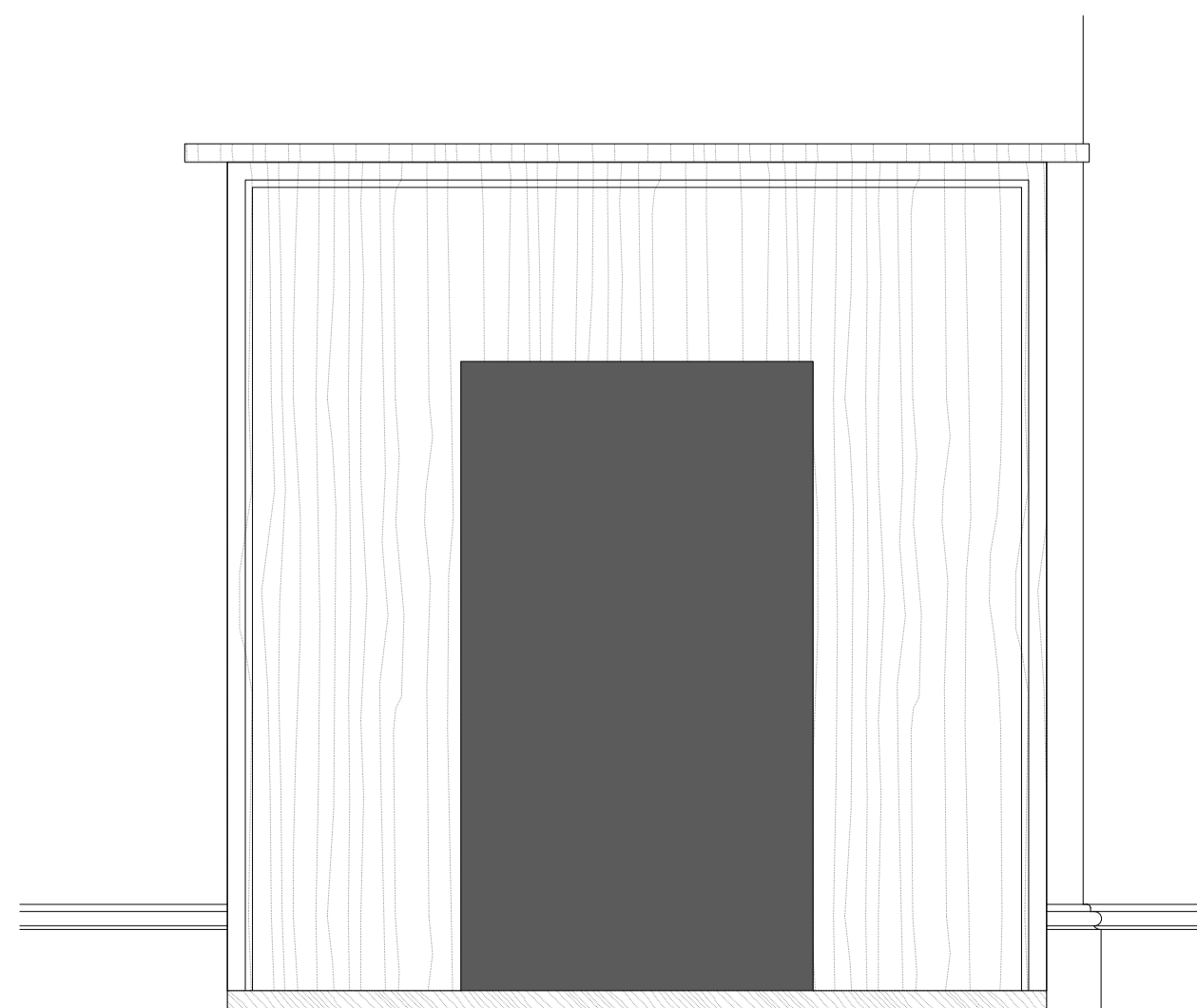
700\_504  
02 Fireplace K  
Bedroom IV Fireplace Section  
r3.02

700\_504  
03 Fireplace K  
Bedroom IV Fireplace Side Elevation  
r3.02

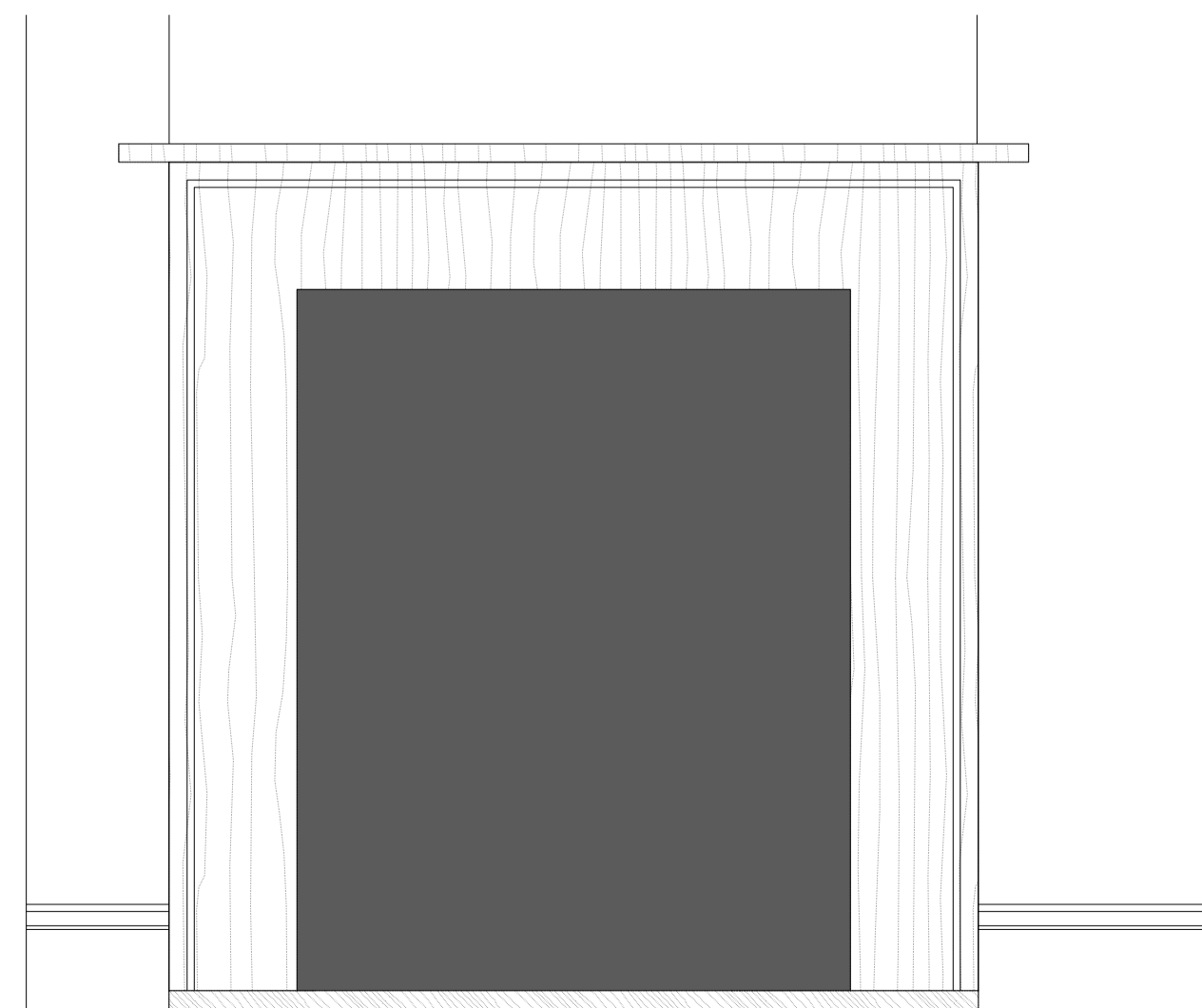


700\_504  
06 Fireplace L  
Bedroom V Fireplace Section  
r3.05

700\_504  
07 Fireplace L  
Bedroom V Fireplace Side Elevation  
r3.05



700\_504  
04 Fireplace K  
Bedroom IV Fireplace Front Elevation  
r3.02



700\_504  
08 Fireplace L  
Bedroom V Fireplace Front Elevation  
r3.05

Key Plan: Third Floor

Proposed Key

.....	Mantle		Existing structure/ earth
	Stone		Metal
	Tiles		Timber Floor Finish
	Timber		Timber in section
	Slate		

Notes: (Refer to Fireplace Schedule 800\_105)

① Basket

Rev A	09.08.18	Revised as per Planner's comments
Rev -	12.01.18	Issued for Planning

# PLANNING

Project No. 17103

Client GFZ Investments Ltd.

Date January 2018

Scale 1:10 @ A1

Project 34 Great James Street

Drawing Title: Third Floor Fireplaces

Drawing No. 700\_504 Rev. A

Drawn	Approved	Signed
RH	MW	

Marek Wojciechowski Architects Ltd.

66 - 68 Margaret Street W1W 8SR T. 020 7580 9336 www.mwa.co.uk

Copyright Marek Wojciechowski Architects. No implied license exists. This drawing should not be used to calculate areas for the purposes of valuation. All dimensions to be checked on site by the contractor and such dimensions to be their responsibility. Do not scale drawings. All work must comply with relevant British Standards and Building Regulations requirements. Drawing errors and omissions to be reported to the architect.

0 0.1m 0.2m 0.4 0.6m 0.8m 1.0m