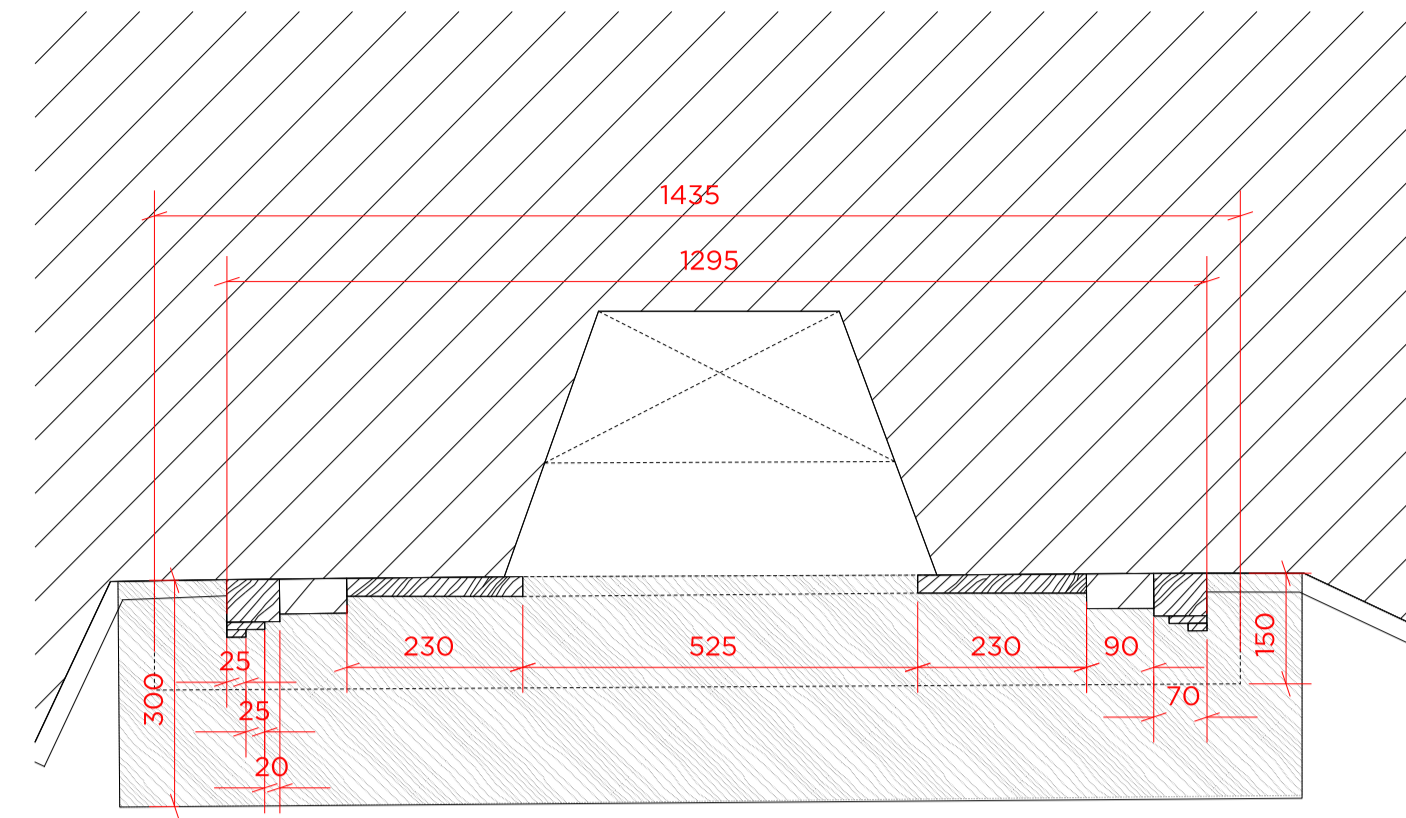
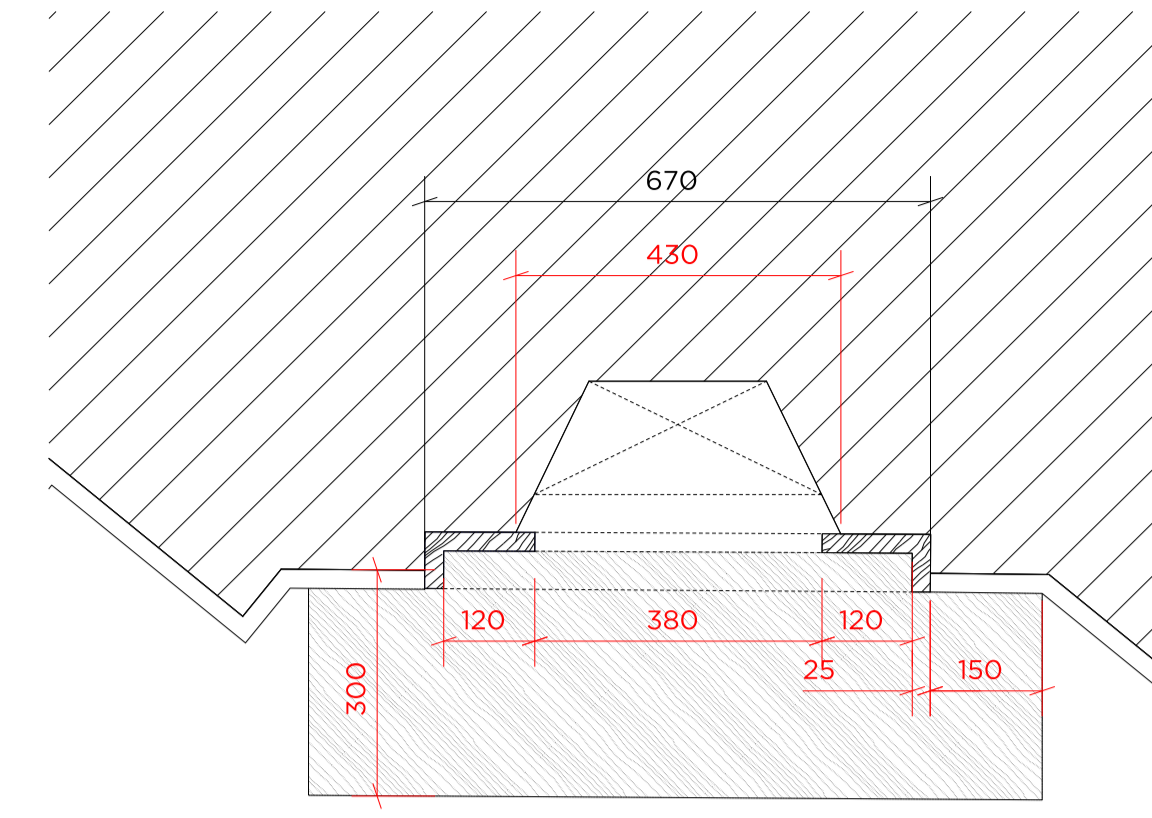


700_503
01 Fireplace H
Bedroom II Fireplace Plan
r2.03



700_503
05 Fireplace I
Bedroom III Fireplace Plan
r2.05



700_503
09 Fireplace J
Bathroom Fireplace Plan
r2.06

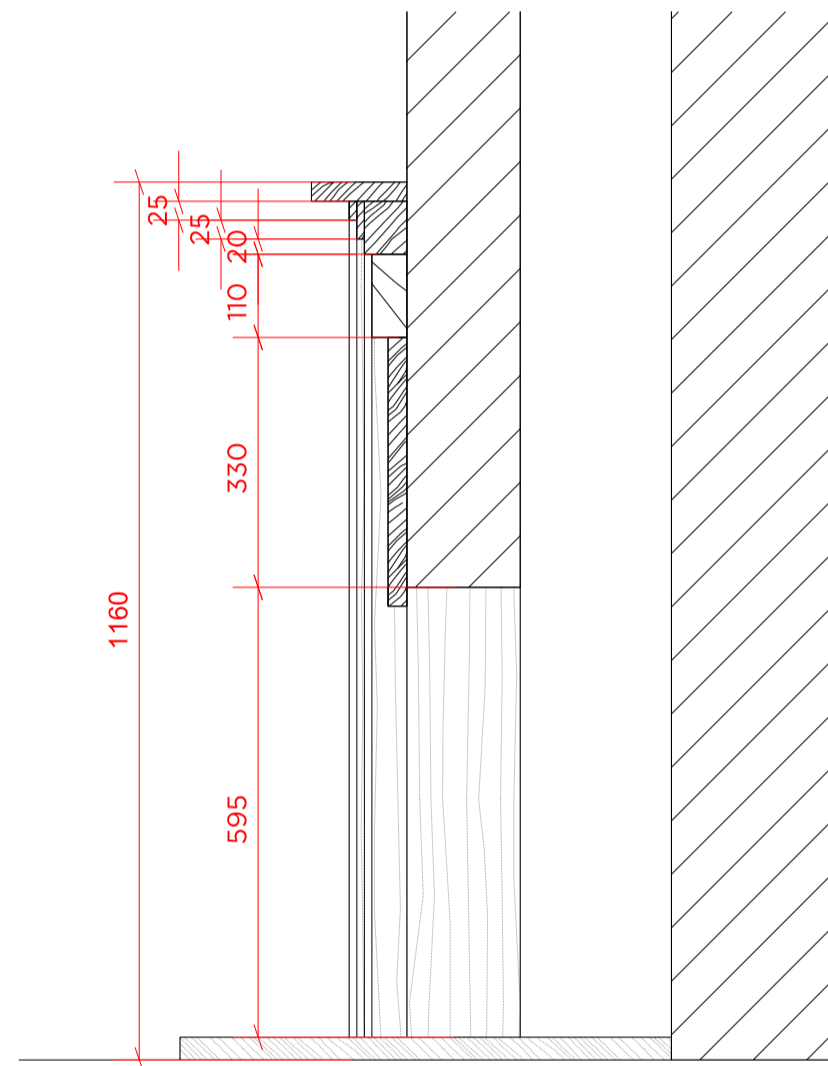
Key Plan: Second Floor

Proposed Key

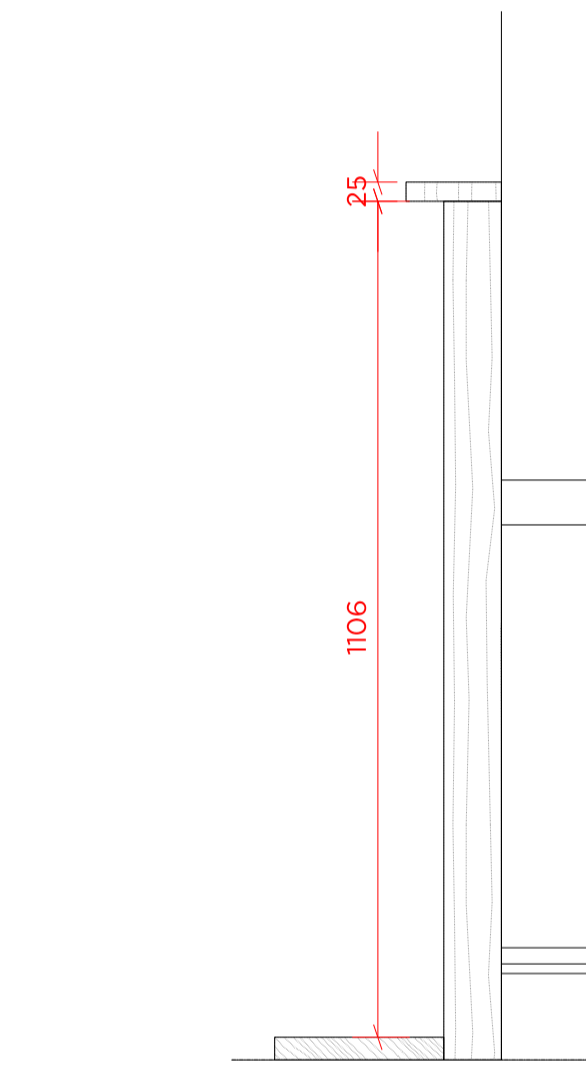
| | |
|--------------|---------------------------|
| Mantle | Existing structure/ earth |
| Stone | Metal |
| Tiles | Timber Floor Finish |
| Timber | Timber in section |
| Slate | |

Notes: (Refer to Fireplace Schedule 800_105)

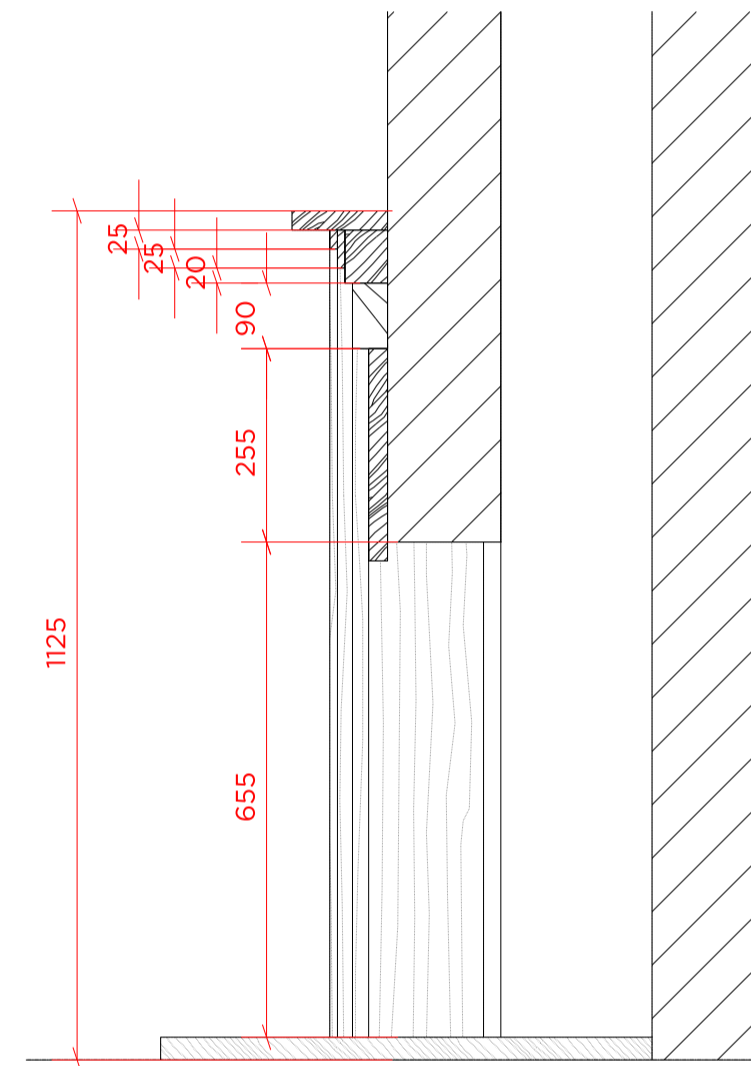
① Basket



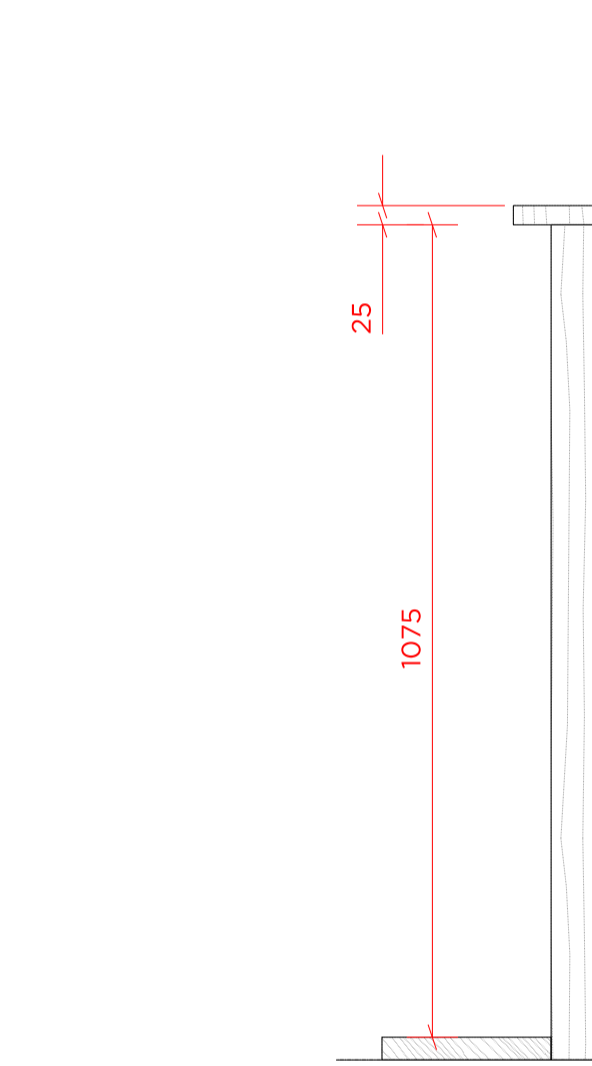
700_503
02 Fireplace H
Bedroom II Fireplace Section
r2.03



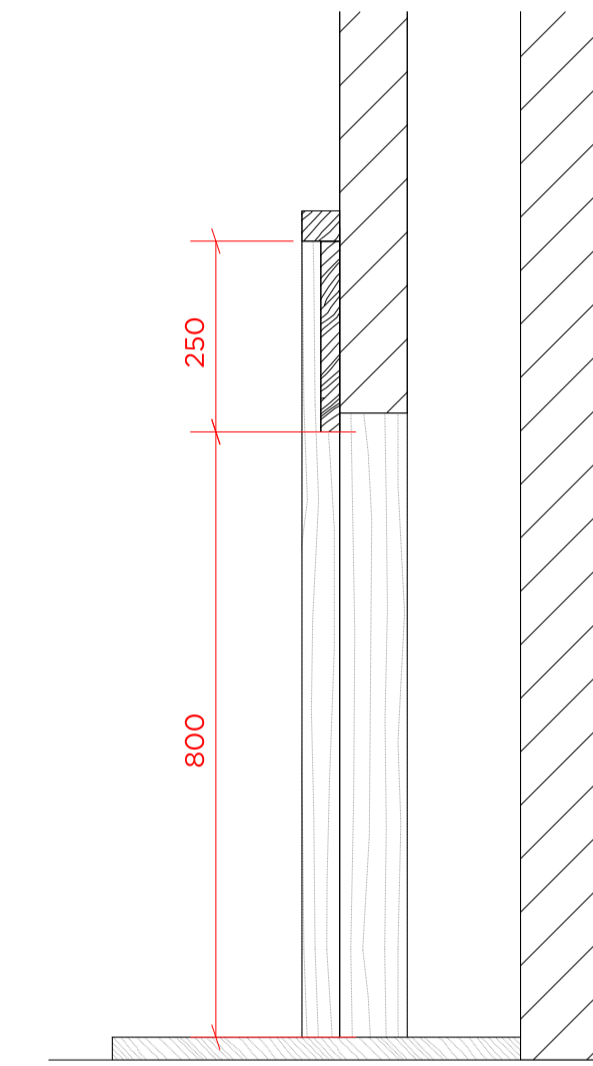
700_503
03 Fireplace H
Bedroom II Fireplace Side Elevation
r2.03



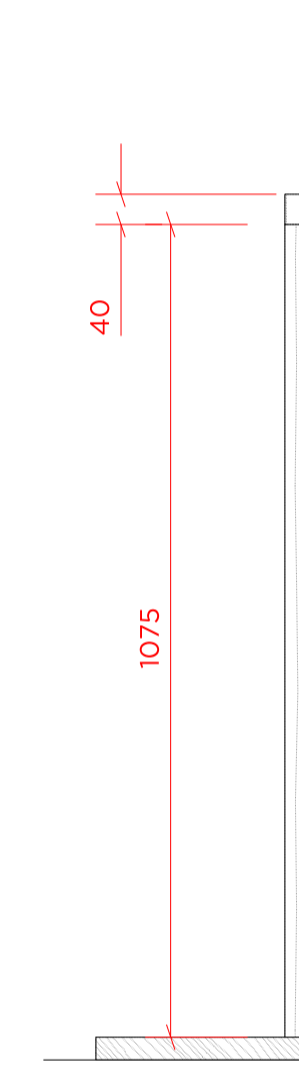
700_503
06 Fireplace I
Bedroom III Fireplace Section
r2.05



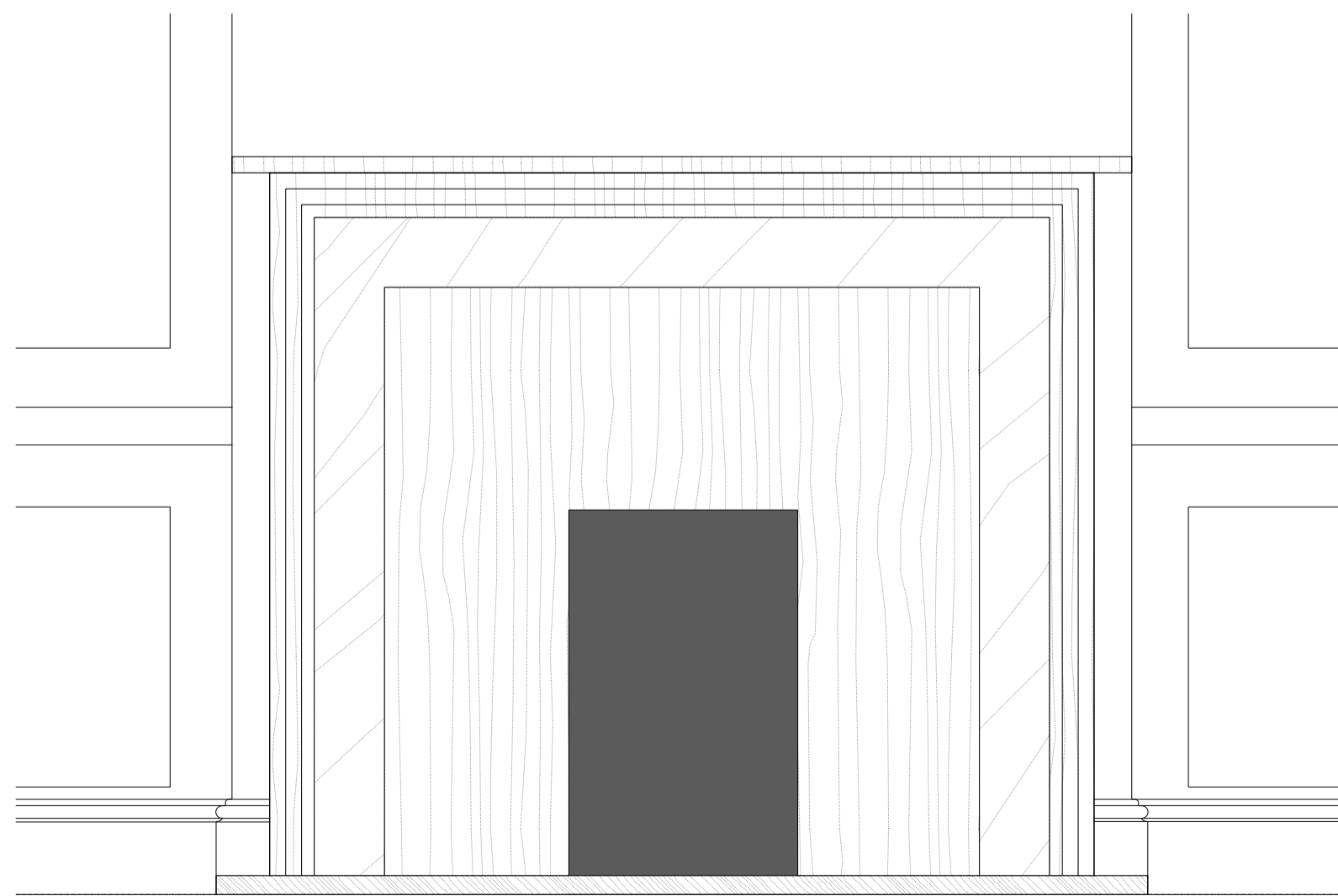
700_503
07 Fireplace I
Bedroom III Fireplace Side Elevation
r2.05



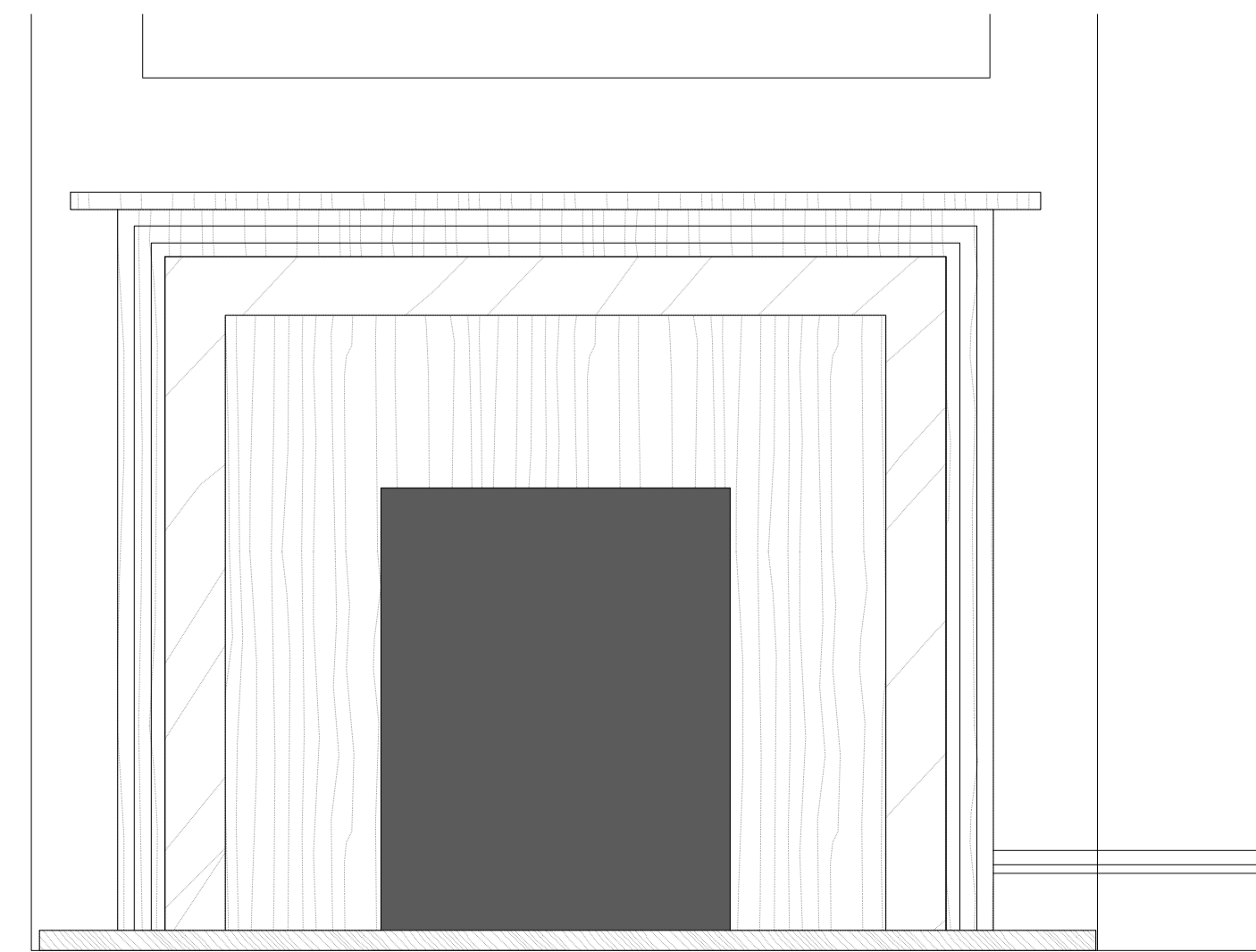
700_503
10 Fireplace J
Bathroom Fireplace Section
r2.06



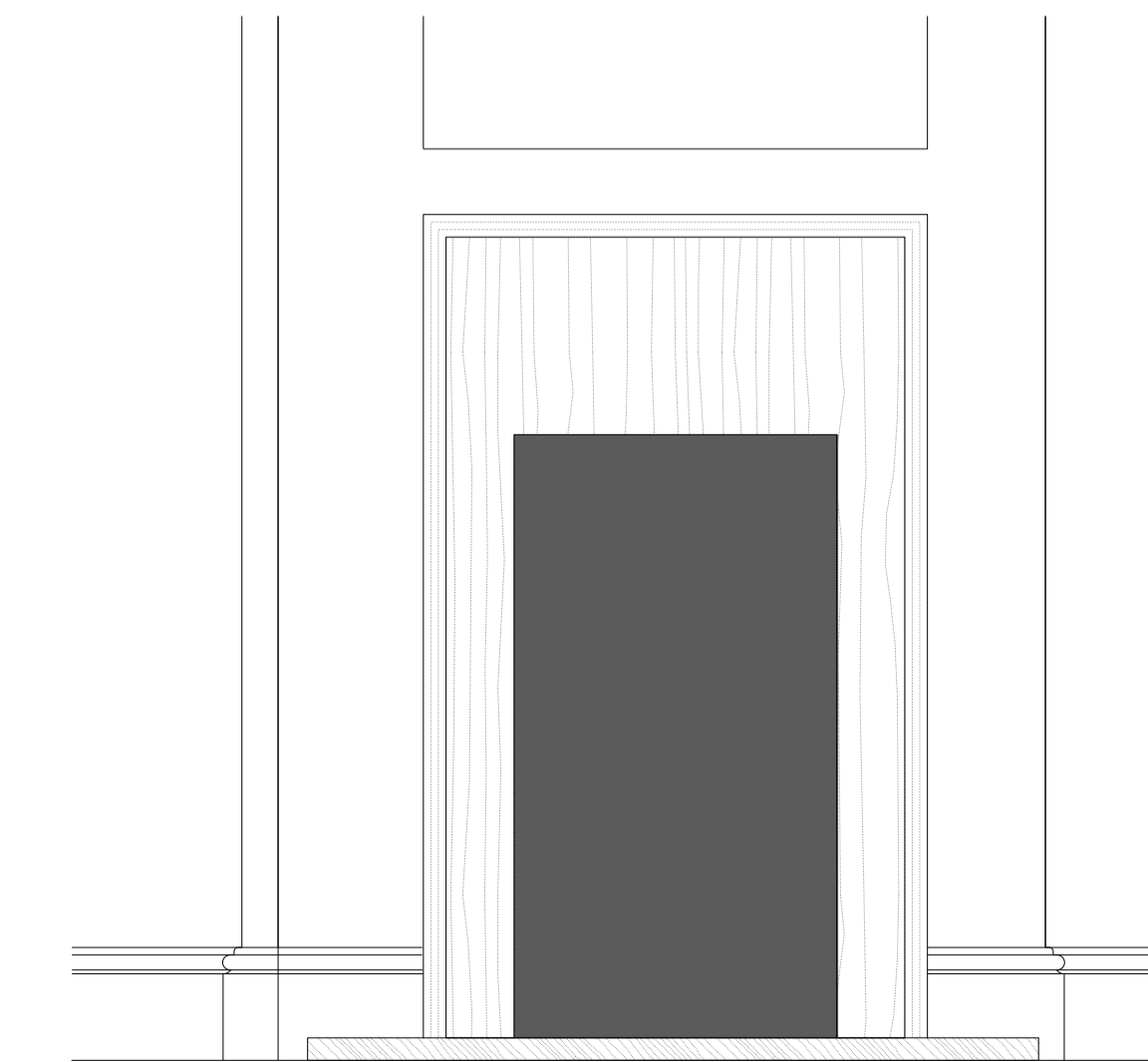
700_503
11 Fireplace J
Bathroom Fireplace Side Elevation
r2.06



700_503
04 Fireplace H
Bedroom II Fireplace Front Elevation
r2.03



700_503
08 Fireplace I
Bedroom III Fireplace Front Elevation
r2.05



700_503
12 Fireplace J
Bathroom Fireplace Front Elevation
r2.06

| | | |
|-------|----------|-----------------------------------|
| Rev A | 09.08.18 | Revised as per Planner's comments |
| Rev - | 12.01.18 | Issued for Planning |

PLANNING

Project No. 17103

Client GFZ Investments Ltd.

Date January 2018

Scale 1:10 @ A1

Project 34 Great James Street

Drawing Title: Second Floor Fireplaces

Drawing No. 700_503 Rev. A

| | | |
|----------|-------------|--------|
| Drawn RH | Approved MW | Signed |
|----------|-------------|--------|

66 - 68 Margaret Street W1W 8SR T. 020 7580 9336 www.mw-a.co.uk

Copyright Marek Wojciechowski Architects. No implied license exists. This drawing should not be used to calculate areas for the purposes of valuation. All dimensions to be checked on site by the contractor and such dimensions to be their responsibility. Do not scale drawings. All work must comply with relevant British Standards and Building Regulations requirements. Drawing errors and omissions to be reported to the architect.

0 0.1m 0.2m 0.4 0.6m 0.8m 1.0m