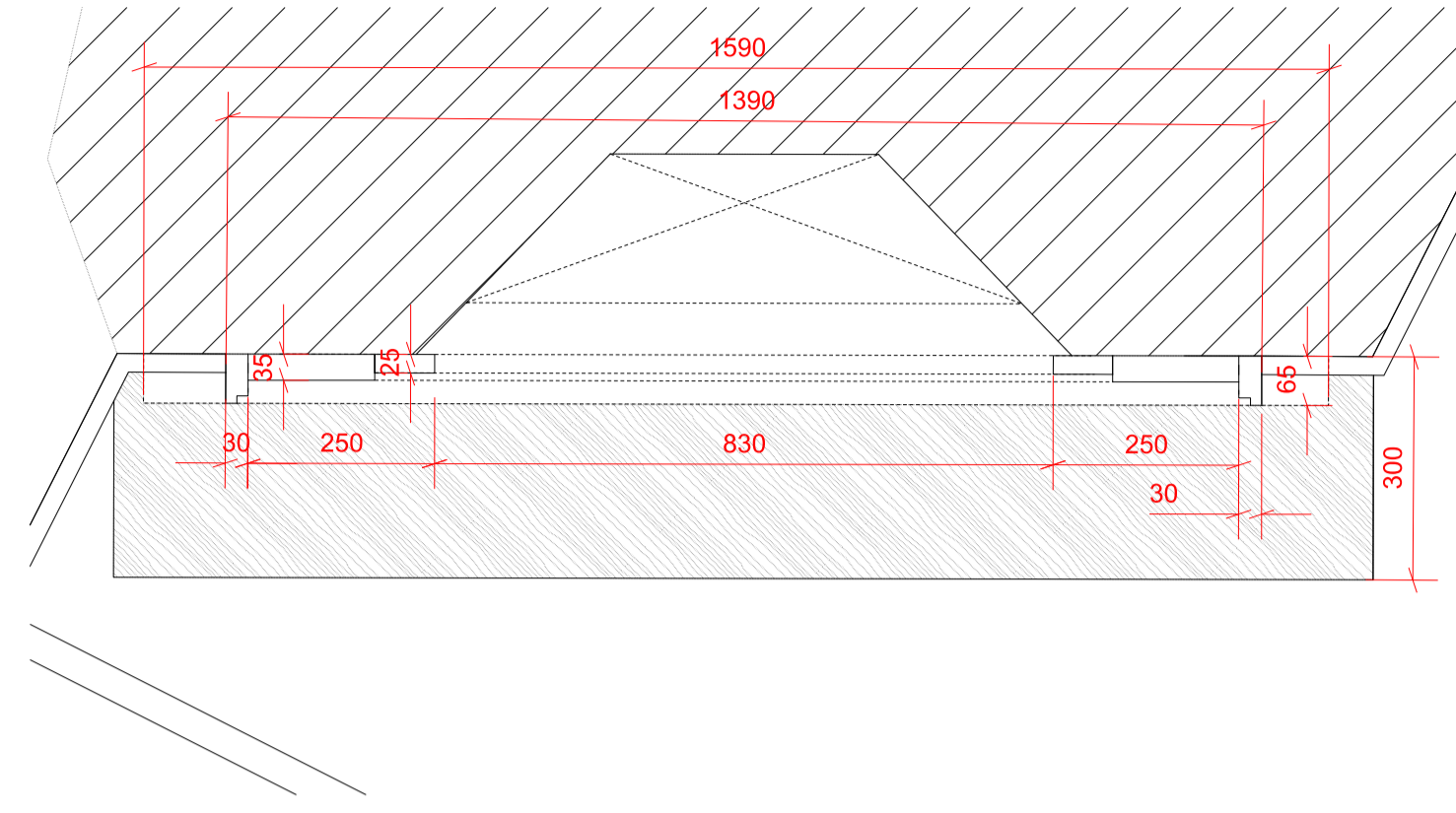
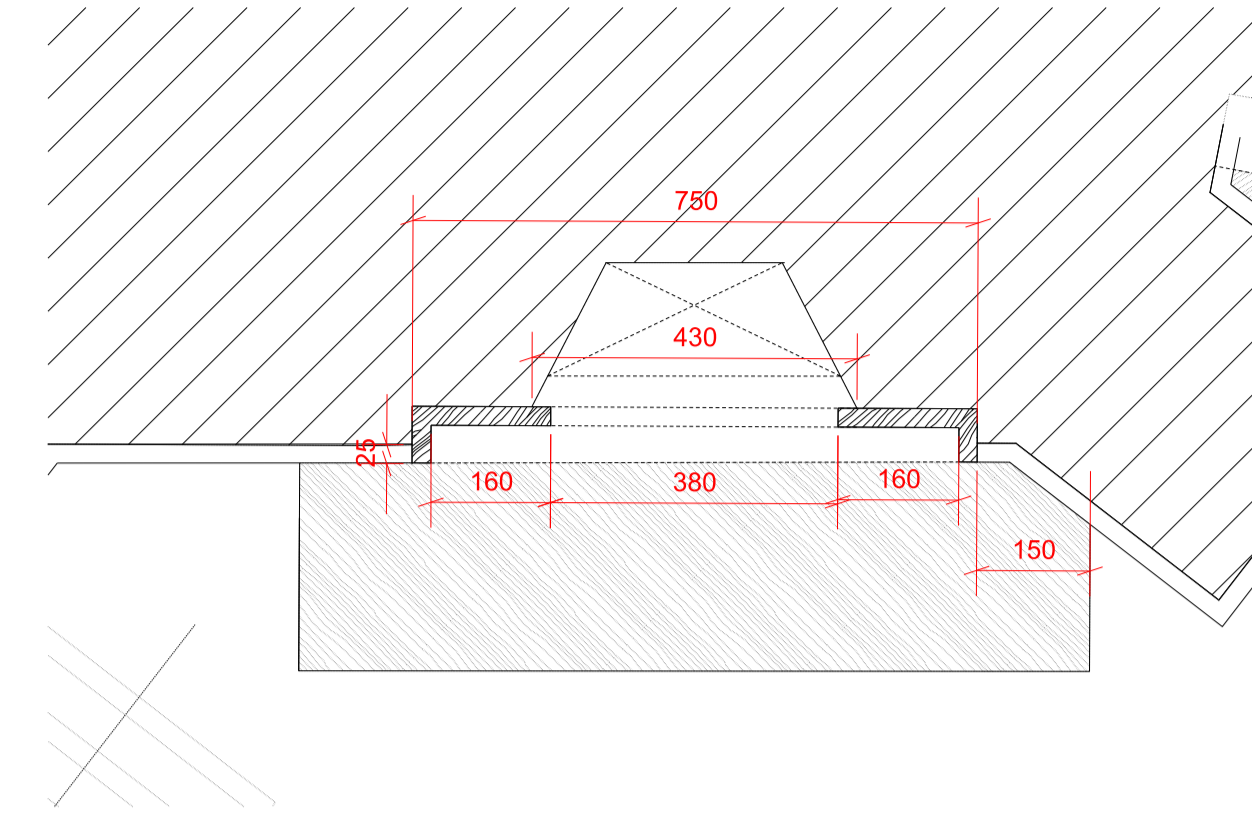


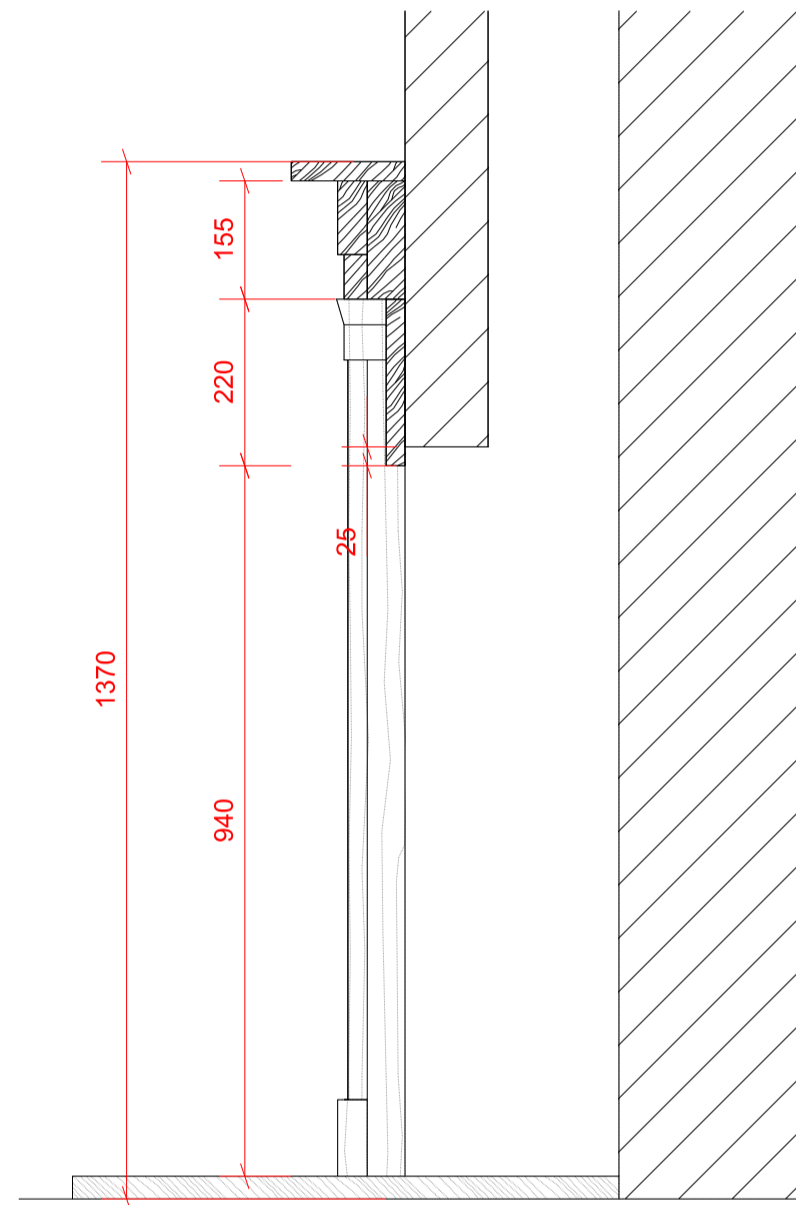
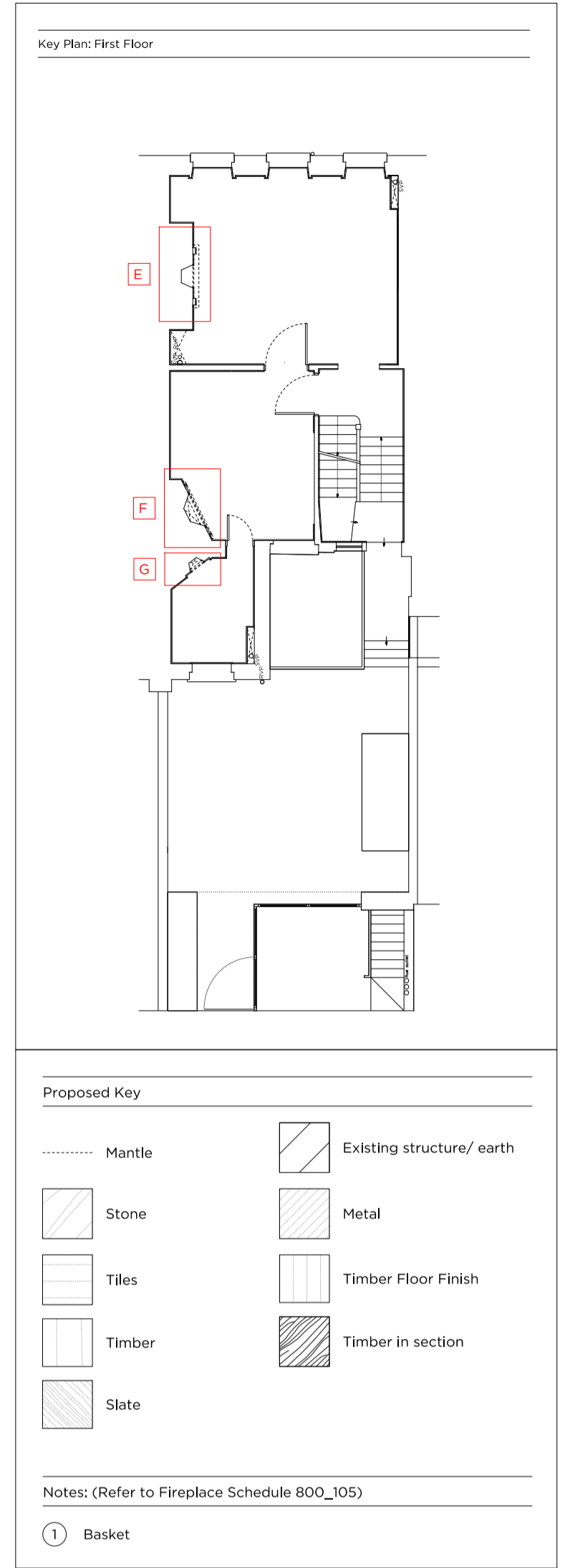
700_502_01 Fireplace E
Master Bedroom Fireplace Plan
r1.02



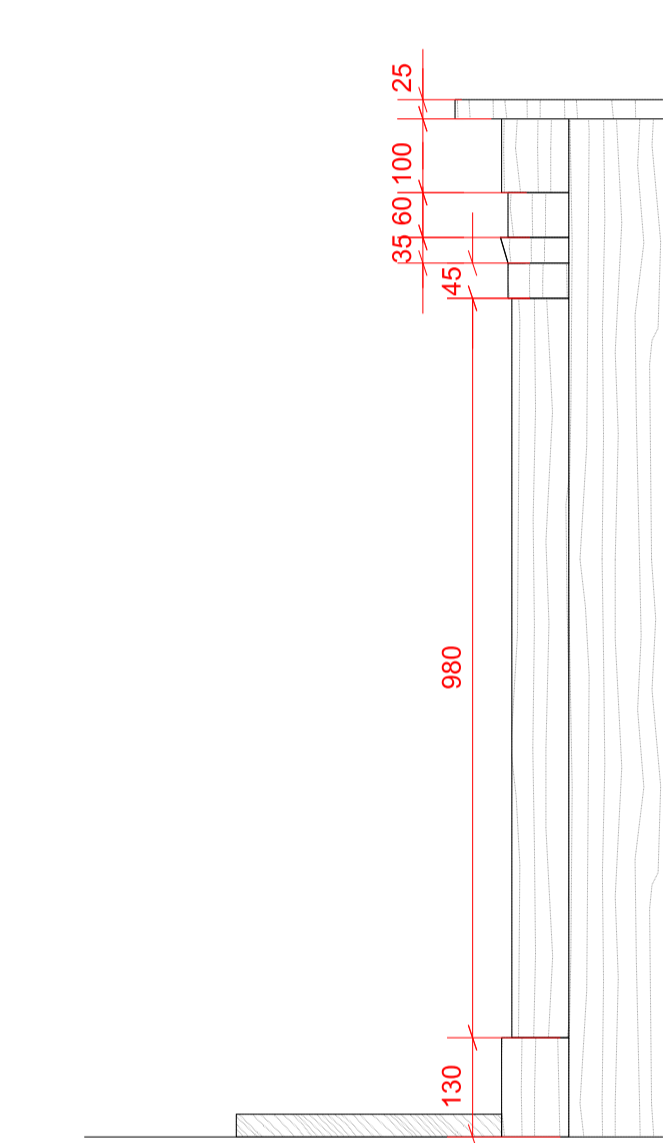
700_502_05 Fireplace F
Master Ensuite Fireplace Plan
r1.03



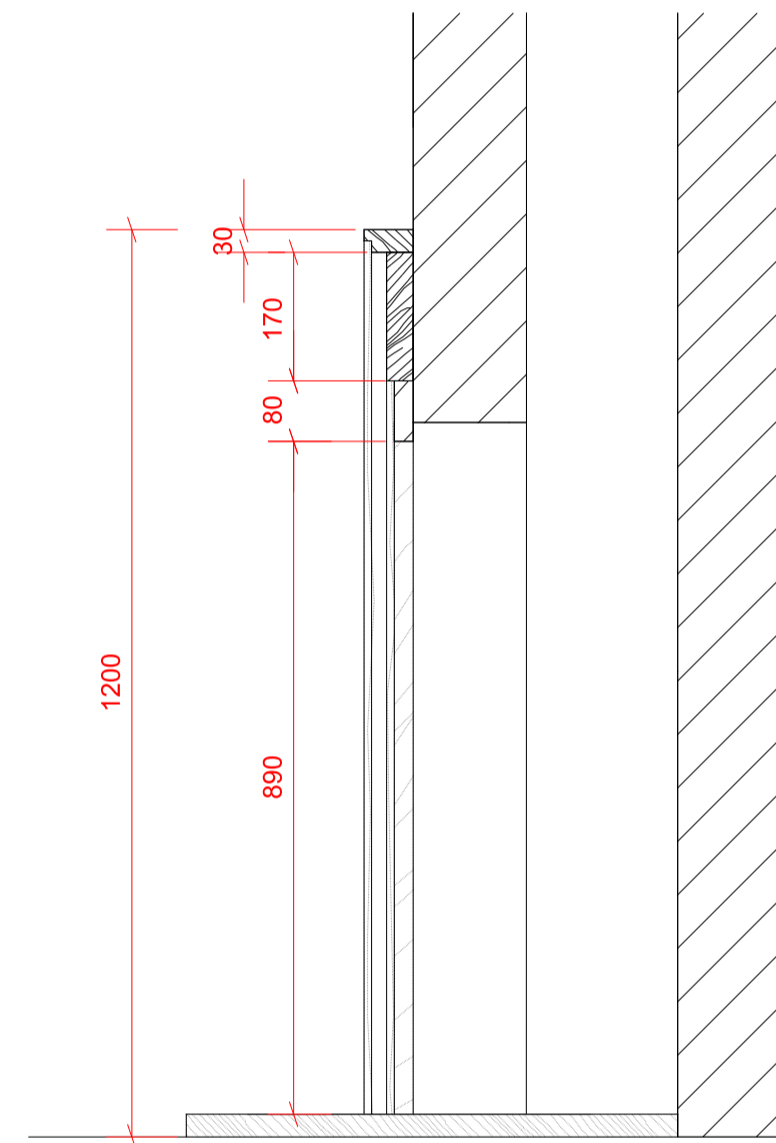
700_502_09 Fireplace G
Shower Room Fireplace Plan
r1.04



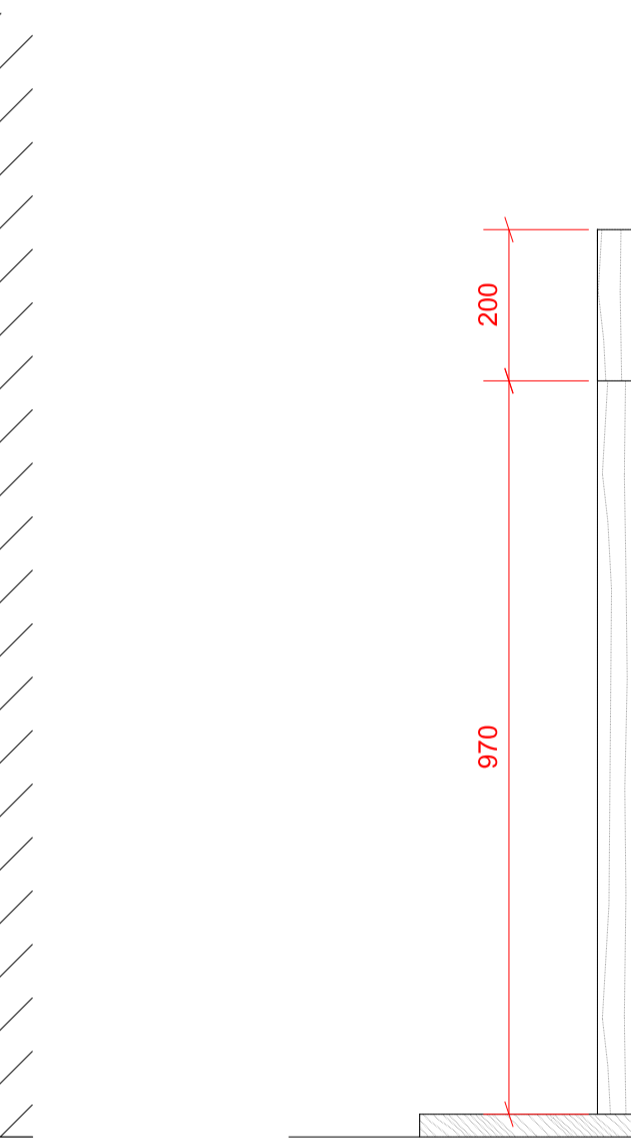
700_502_02 Fireplace E
Master Bedroom Fireplace Section
r1.02



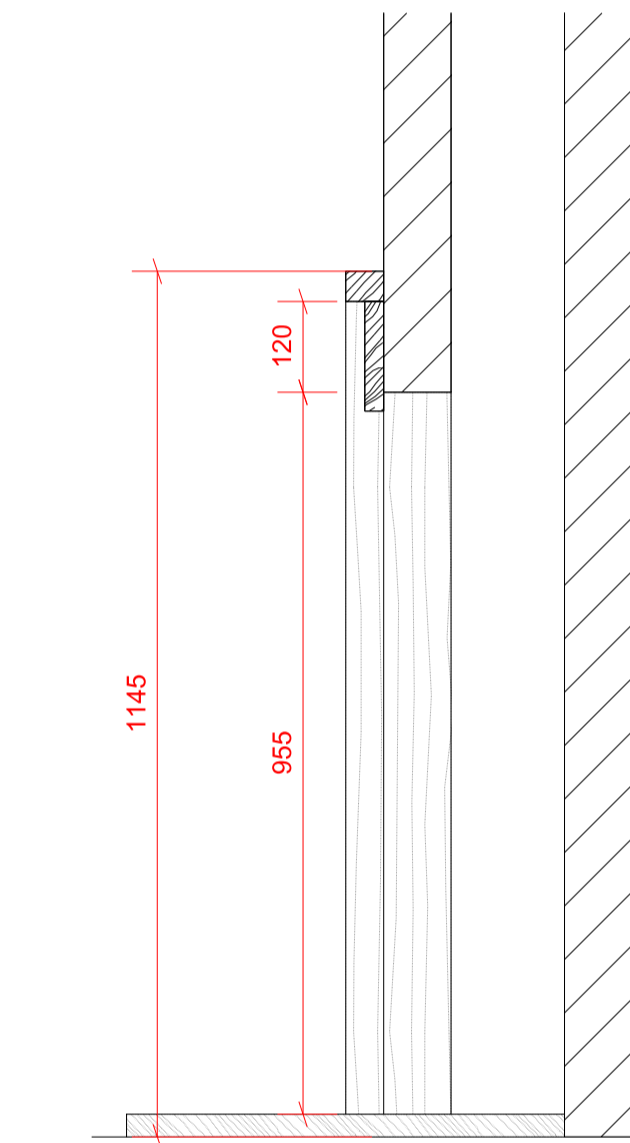
700_502_03 Fireplace E
Master Bedroom Fireplace Side Elevation
r1.02



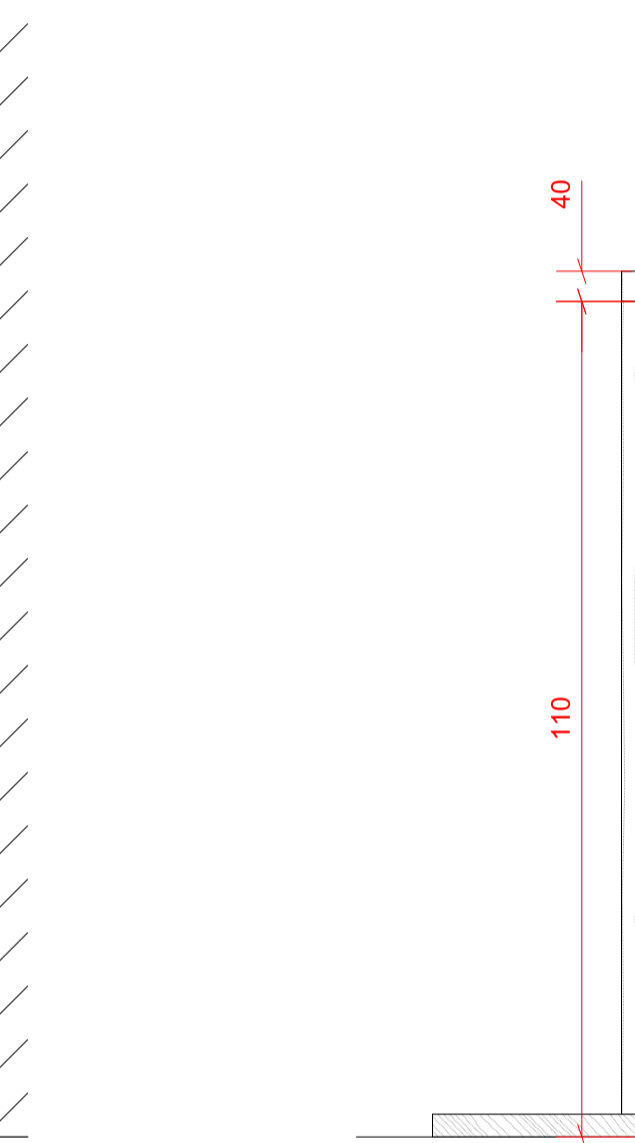
700_502_06 Fireplace F
Master Ensuite Fireplace Section
r1.03



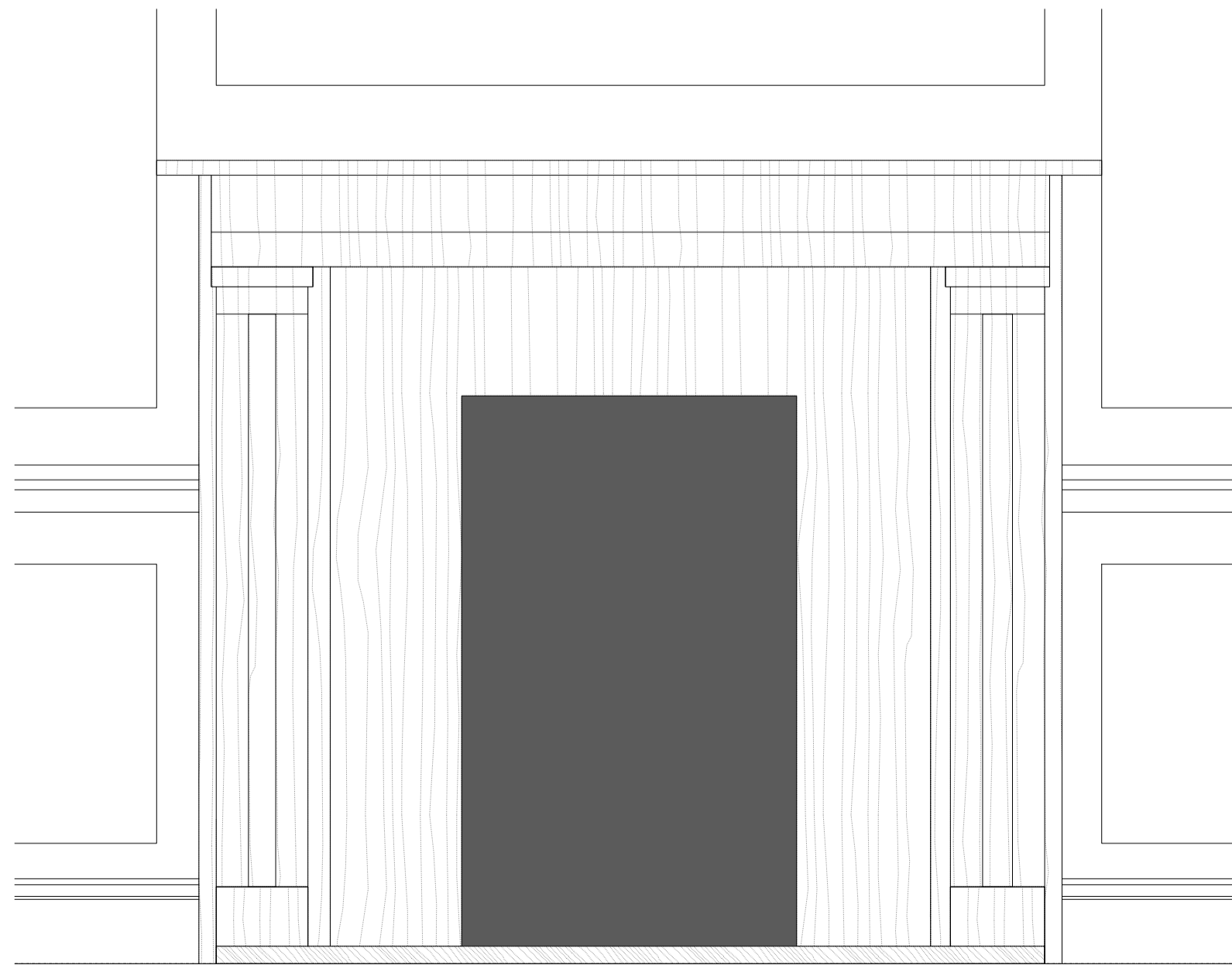
700_502_07 Fireplace F
Master Ensuite Fireplace Side Elevation
r1.03



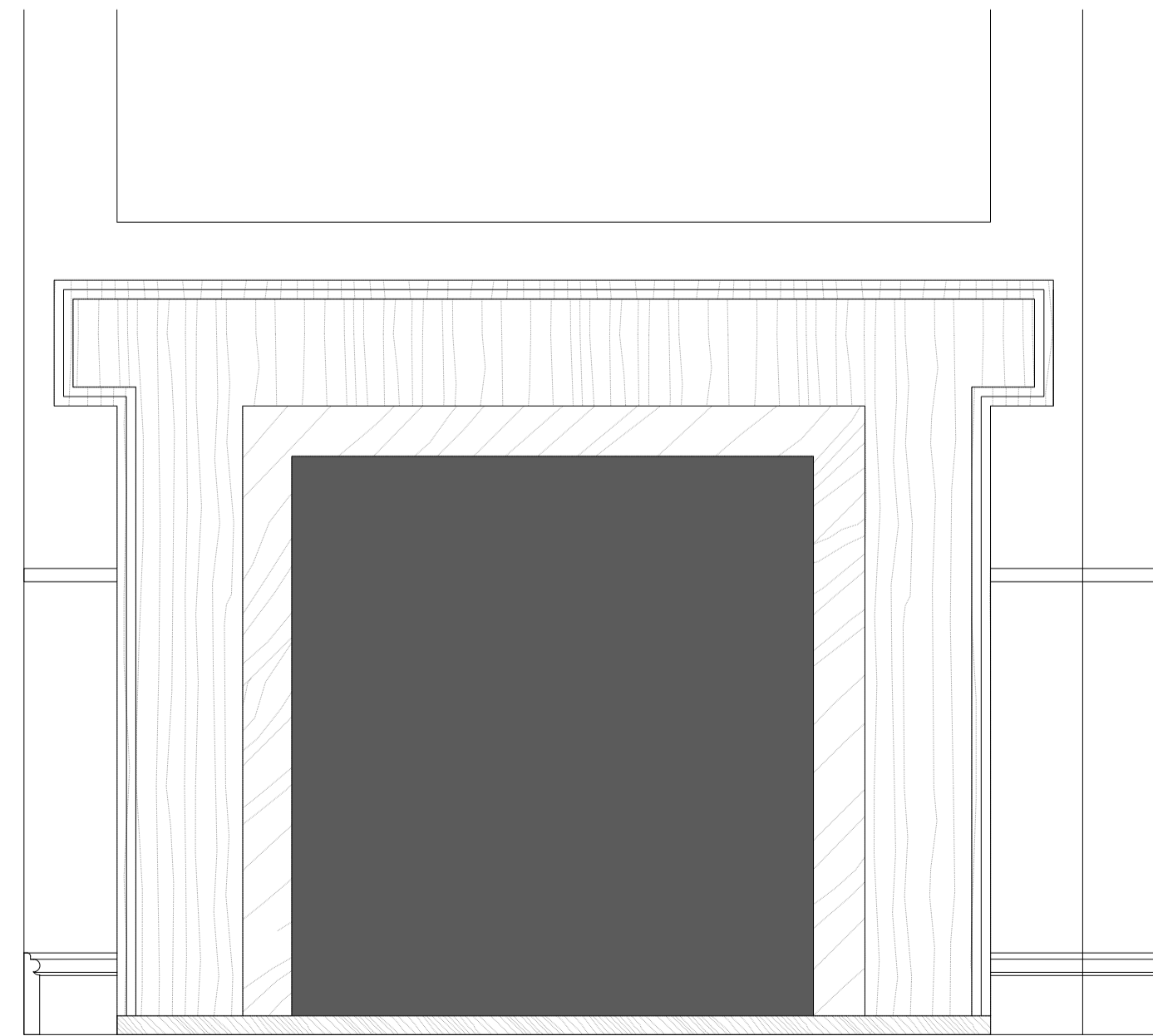
700_502_10 Fireplace G
Shower Room Fireplace Section
r1.04



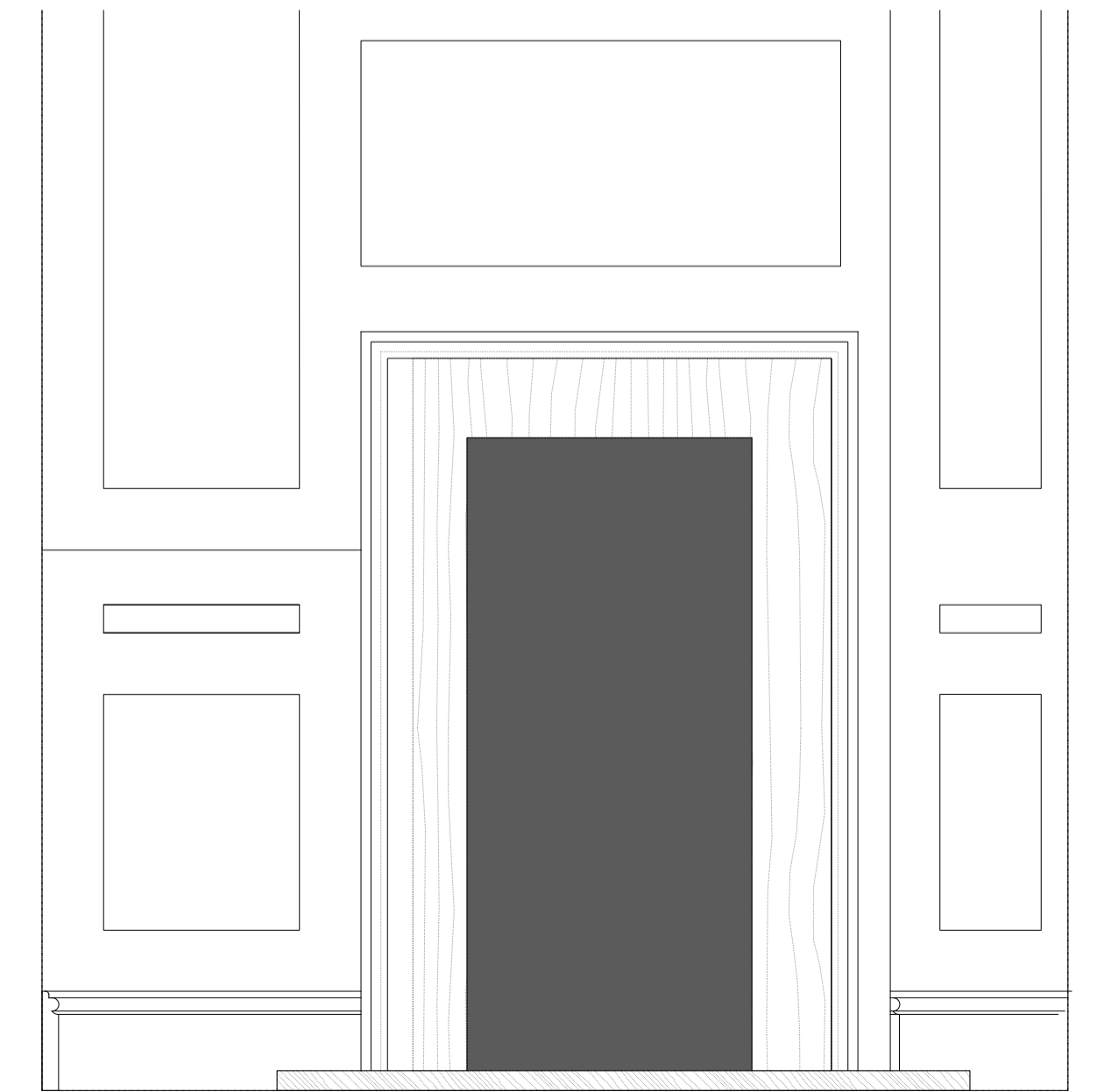
700_502_11 Fireplace G
Shower Room Fireplace Side Elevation
r1.04



700_502_04 Fireplace E
Master Bedroom Fireplace Plan
r1.02



700_502_08 Fireplace F
Master Ensuite Fireplace Front Elevation
r1.03



700_502_12 Fireplace G
Shower Room Fireplace Front Elevation
r1.04

Rev A	09.08.18	Revised as per Planner's comments
Rev -	12.01.18	Issued for Planning

PLANNING

Project No. 17103

Client GFZ Investments Ltd.

Date January 2018

Scale 1:10 @ A1

Project 34 Great James Street

Drawing Title: First Floor Fireplaces

Drawing No. 700_502 Rev. A

Drawn: RH Approved: MW Signed:

Marek Wojciechowski Architects Ltd.

66 - 68 Margaret Street W1W 8SR T. 020 7580 9336 www.mwa.co.uk

Copyright Marek Wojciechowski Architects. No implied license exists. This drawing should not be used to calculate areas for the purposes of valuation. All dimensions to be checked on site by the contractor and such dimensions to be their responsibility. Do not scale drawings. All work must comply with relevant British Standards and Building Regulations requirements. Drawing errors and omissions to be reported to the architect.

0 0.1m 0.2m 0.4 0.6m 0.8m 1.0m