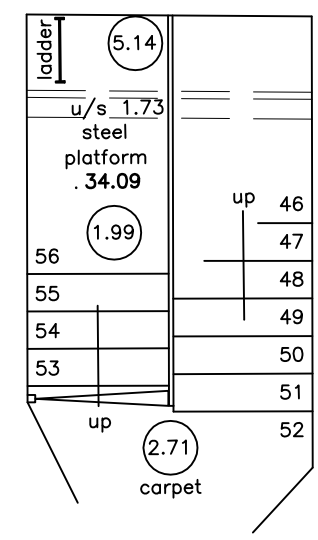


No 8 (BOOTS)



OVERLAY CROSS

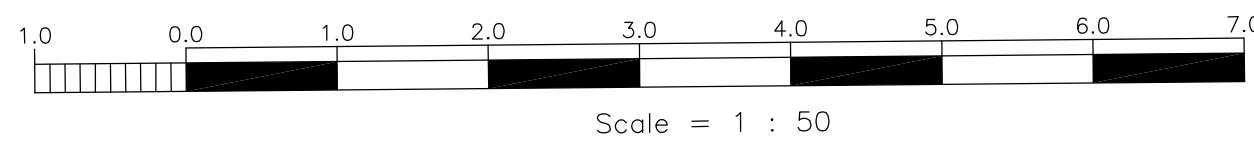
OVERLAY CROSS

OVERLAY CROSS

area inaccessible LIGHTWELL

KOKO

# THIRD FLOOR



revision	date	initials	description of amendments
?	??/??/??	??	?
?	??/??/??	??	?

OmniBus, 39-41 North Road, London, N7 9DP Email: info@foundation-architecture.com

project **2-6 CAMDEN HIGH STREET**

site **THIRD FLOOR EXISTING**

scale 1:50 @ A1 date OCT 2017 [FAL] sheet no 540 of no **E103**

All dimensions to be verified on site.

\*Scale is 1:100 at A3

**EXISTING**