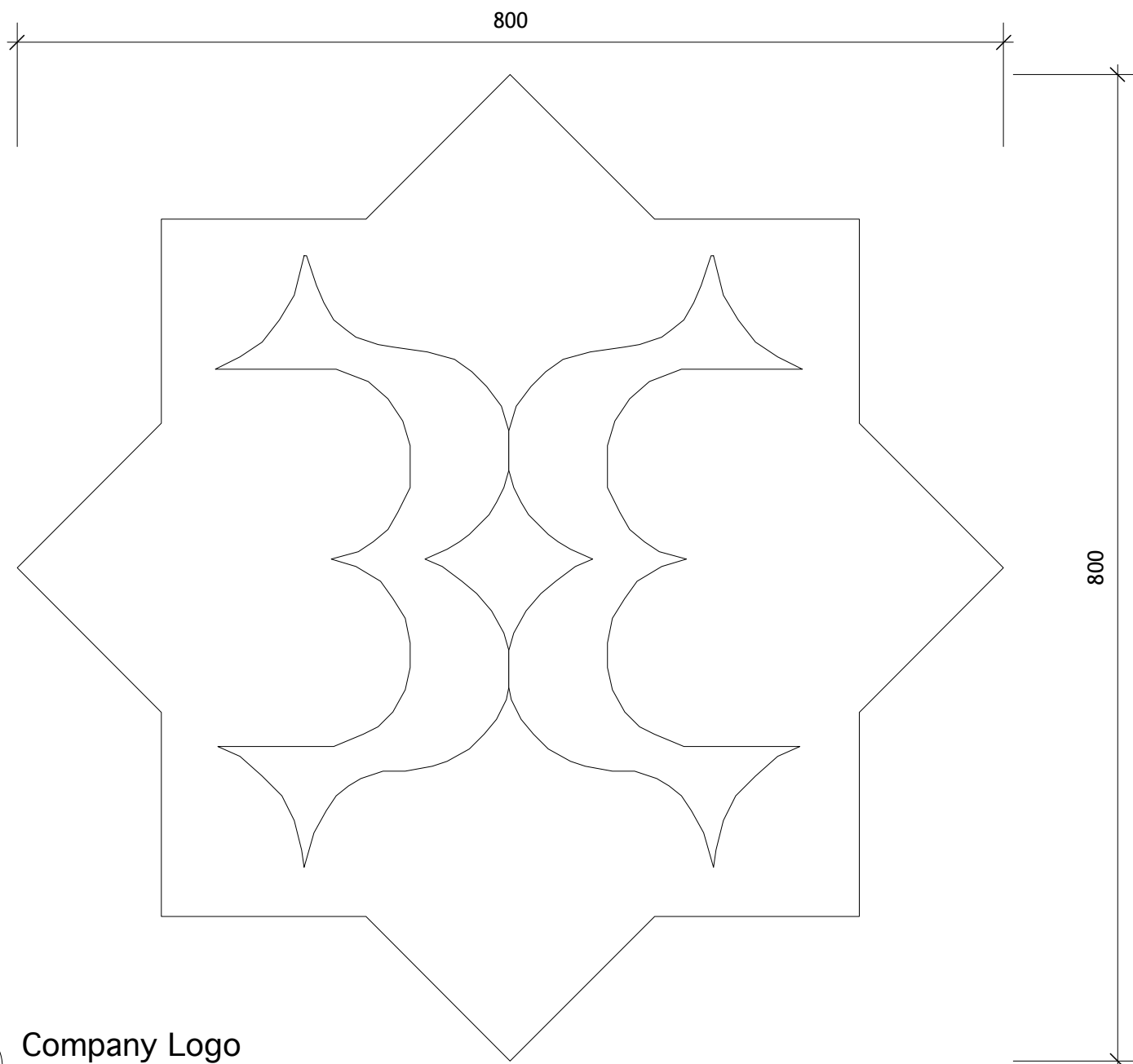
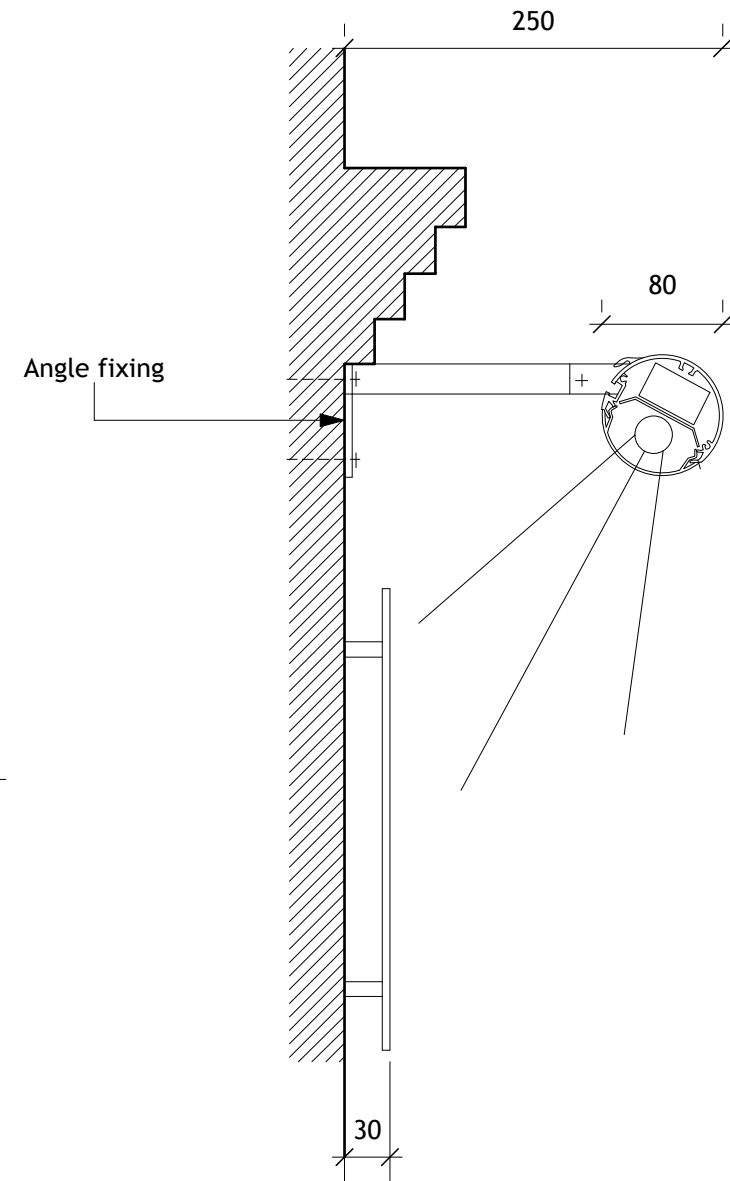




1 Lettering Details
Scale: 1:5




2 Company Logo
Scale: 1:5



3 Section Through Sign and Lighting
Scale: 1:5

This drawing is the copyright of YOTU Architectural Design Ltd. The contractor is to check all site dimensions and levels before work starts. Do not scale from drawings. Notify architect of any discrepancies. This drawing must be read with and checked against all structural and other specialist drawings, specification and bills of quantities. The contractor is to comply with all current British Standards and Building Regulations whether or not specifically stated on these drawings.

Rev	Date	Description	By
-----	------	-------------	----

 **YOTU**
ARCHITECTURAL DESIGN LTD.
46 Furze Hill House, Furze Hill, Hove East Sussex
BN3 1PU E-mail: info@yotu.co.uk Tel: 07880 902 127
07429 503 344

Client
Mr EC Saglik

Project
Beso
190 Shaftesbury Avenue
London

Drawing
Proposed Signage Drawings

Scale	Status	Date	Drawn	Checked
1:5@A3	Planning	Jun 2018	ot	yu
Drawing No.	Revision			

078_P_05