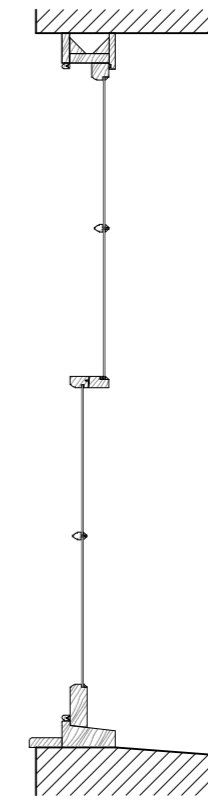
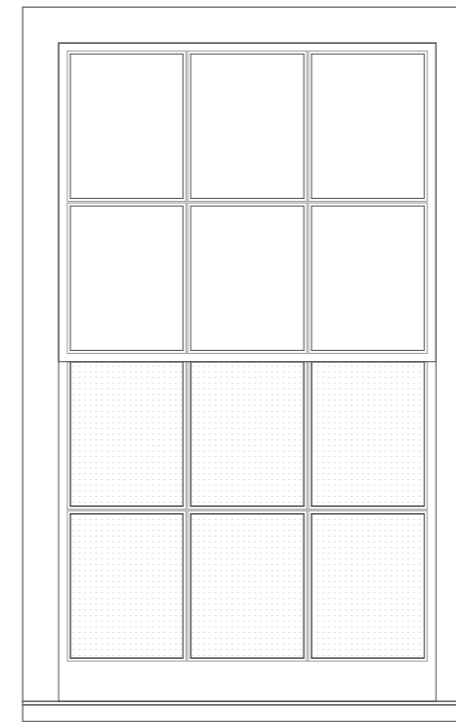
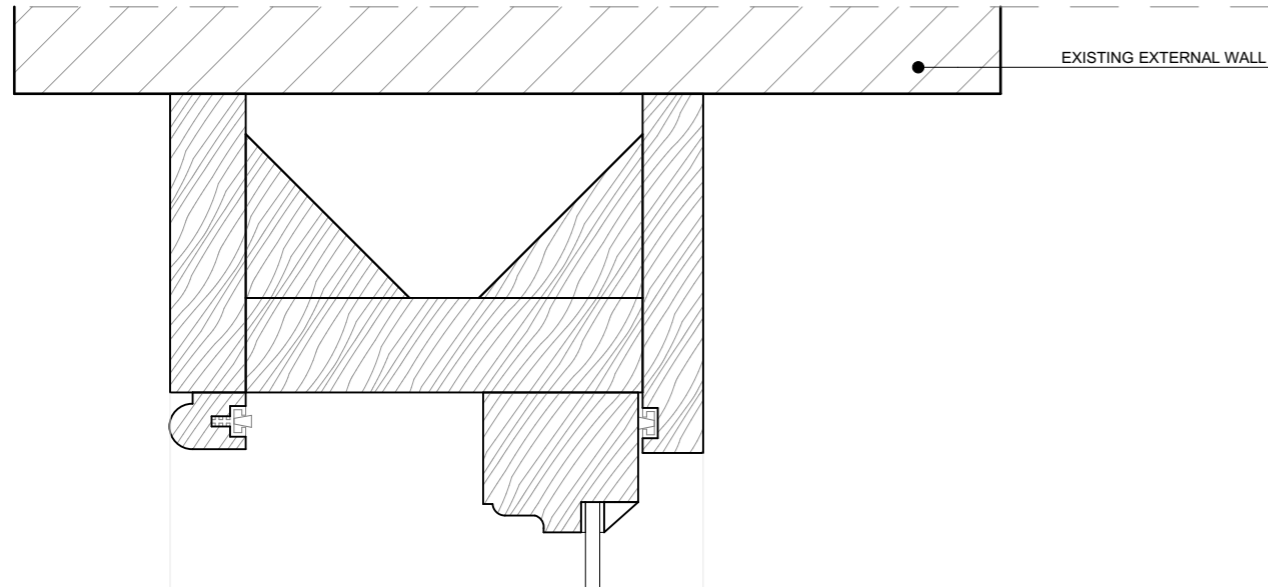


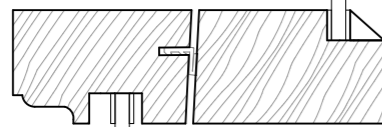
All dimensions to be checked on site. DO NOT SCALE FROM DRAWING. Discrepancies ambiguities and/or omissions between this drawing and information given elsewhere must be reported to the Architect immediately before proceeding. THIS DRAWING IS COPYRIGHT.

Revision	Description	Date
A	Details Updated	19/06/18
B	Details Updated	30/07/18



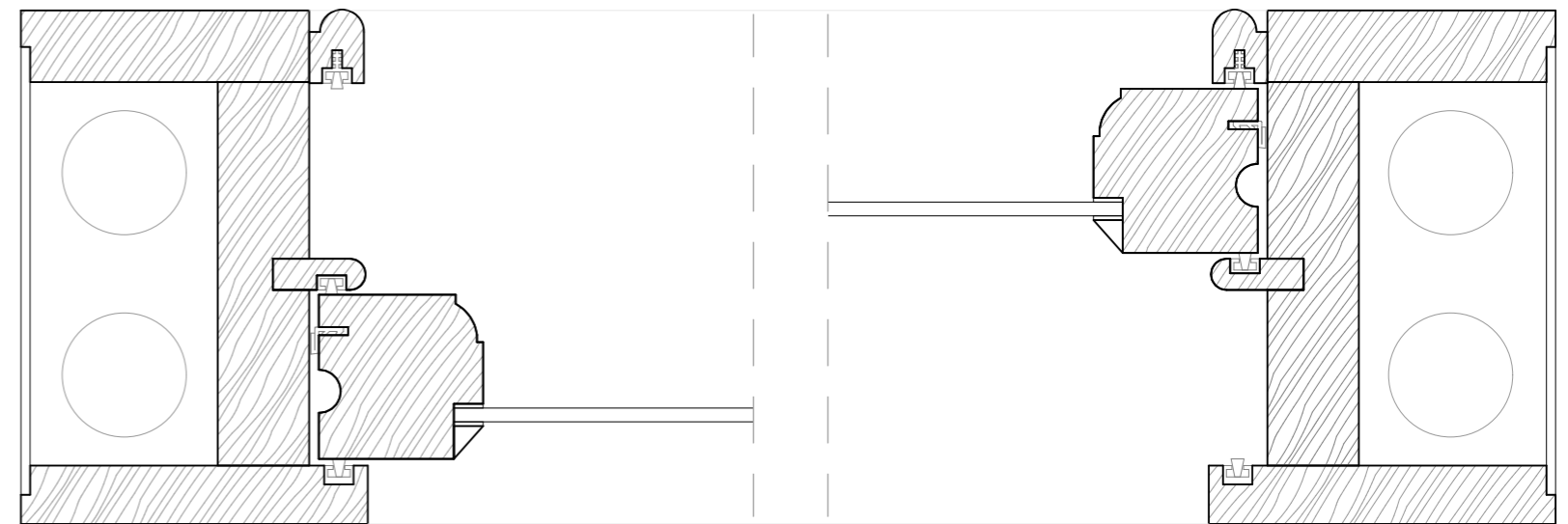
W03 as Proposed

1:20



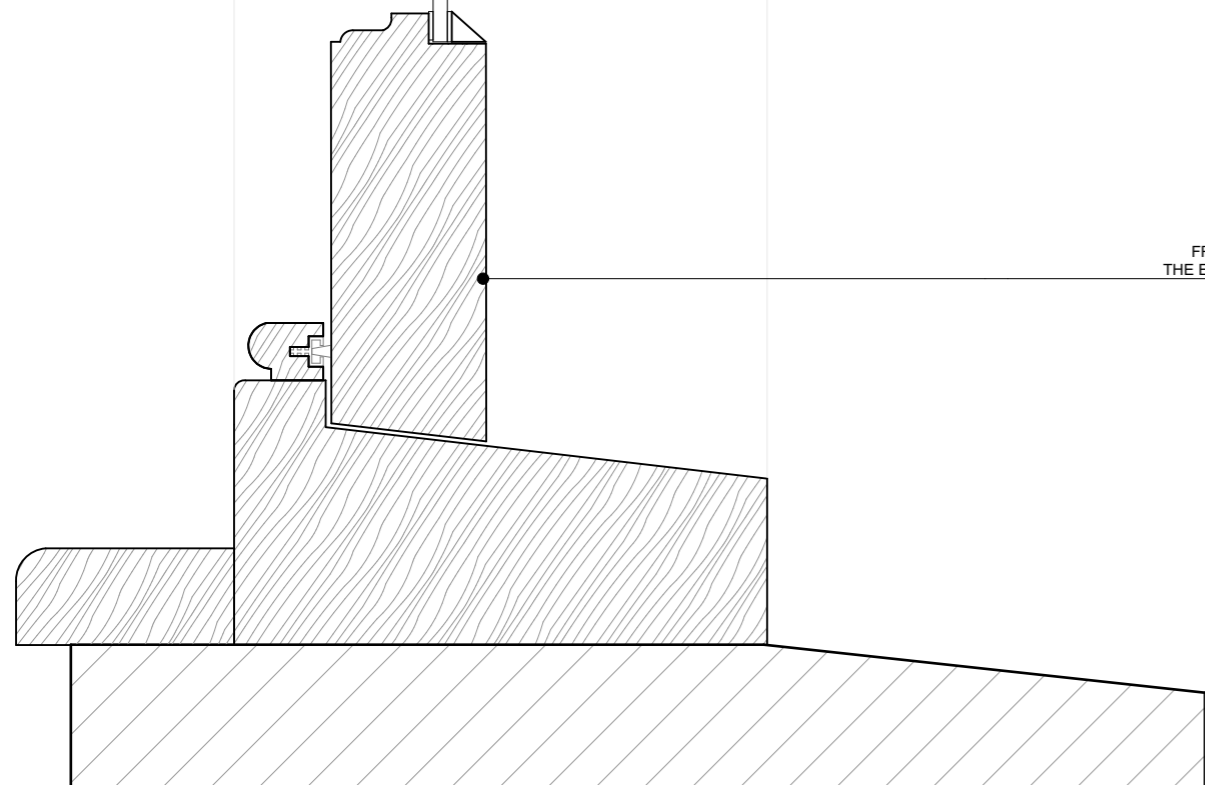
4 mm PLAIN GLASS

FRAME TO MATCH THE EXISTING FRAME



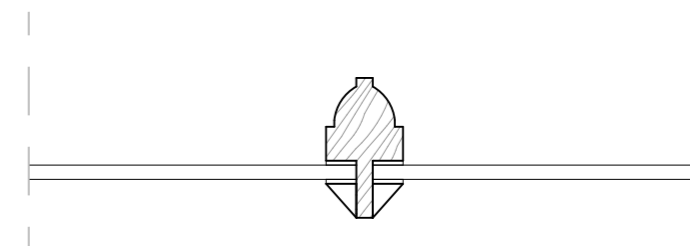
Box Frame - Top View as Proposed

1:2



Box Frame - Side View as Proposed

1:2



Glazing Bar Detail as Proposed

1:2

Scale: 1:2 @ A3
 Date: March / 2018
 Drawing Status: Planning
 Rev: B
 Drawn By: FS
 Drawing Number: A (0) 09

Project Title: Flat 2, 13 Shelton Street London WC2H 9JN
 Drawing Title: Window W03 Details as Proposed

GK Architects Limited | London Office
 Niddy Lodge | 51 Holland Street | London W8 7JB
 T: 0203 280 3630 E: office@gkarchitects.co.uk
 GK Architects Limited | Newcastle Office
 Clavering House | Clavering Place | Newcastle upon Tyne NE1 3NG
 T: 0191 666 0196 E: office@gkarchitects.co.uk
 RIBA CHARTERED PRACTICE WWW.GKARCHITECTS.CO.UK

