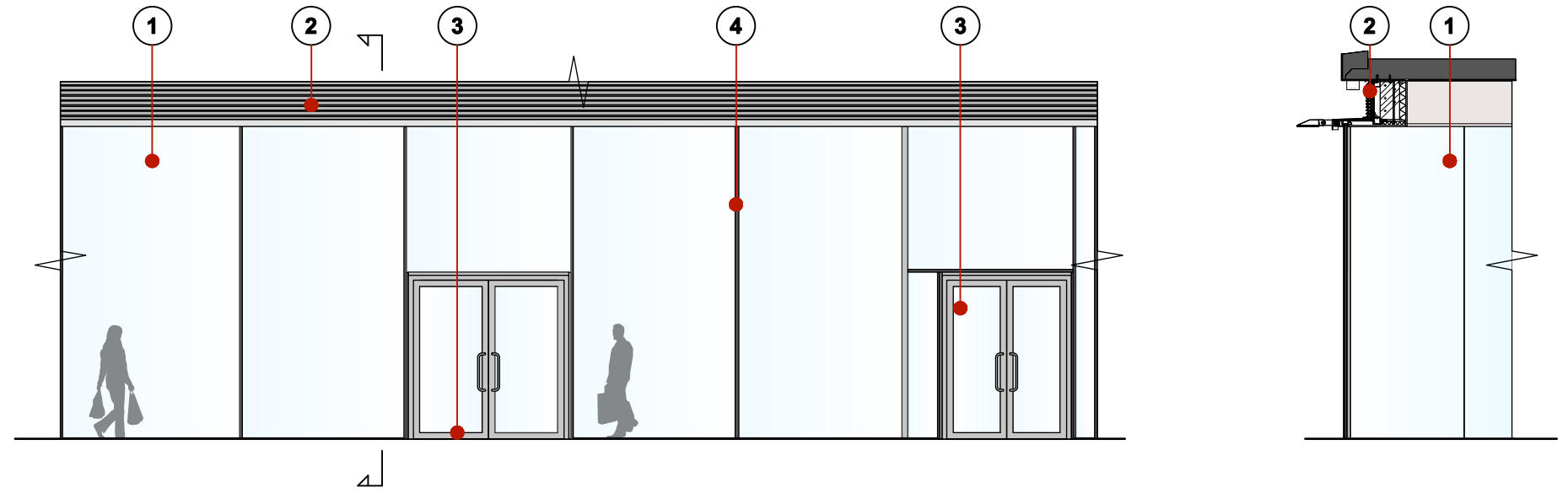
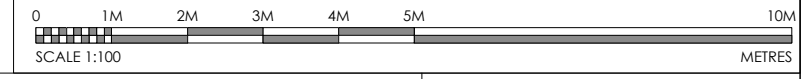
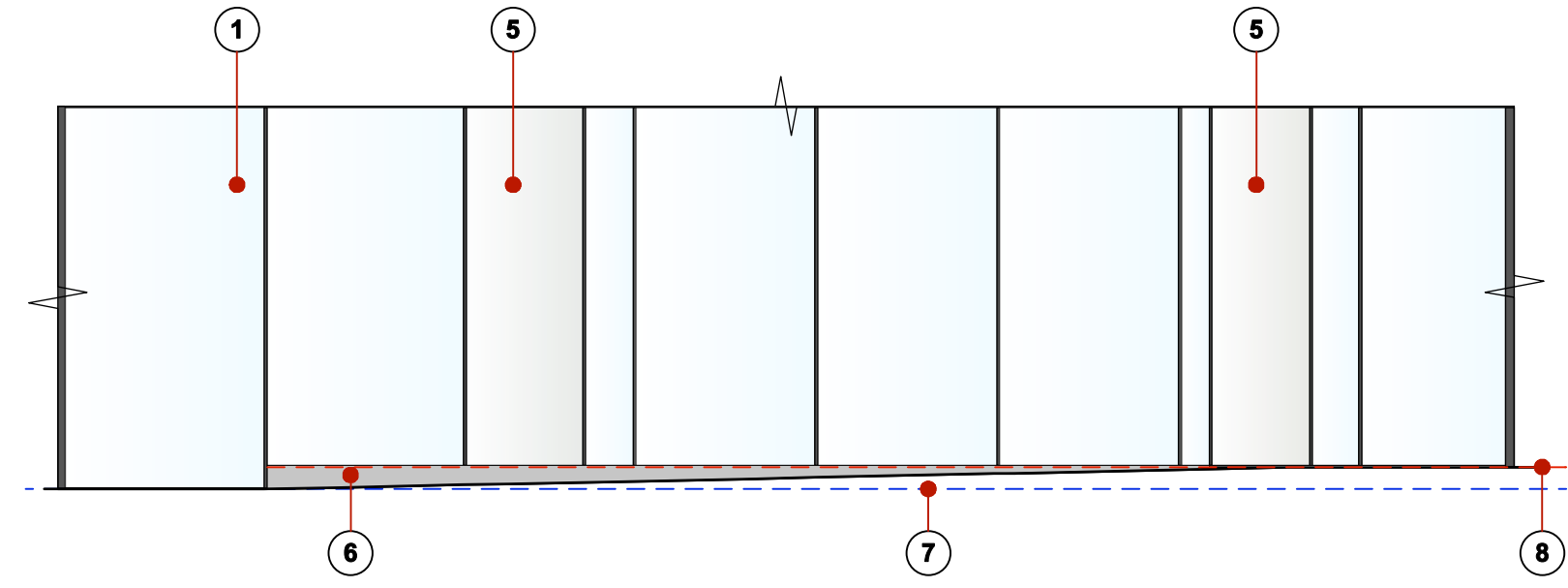


NOTES:

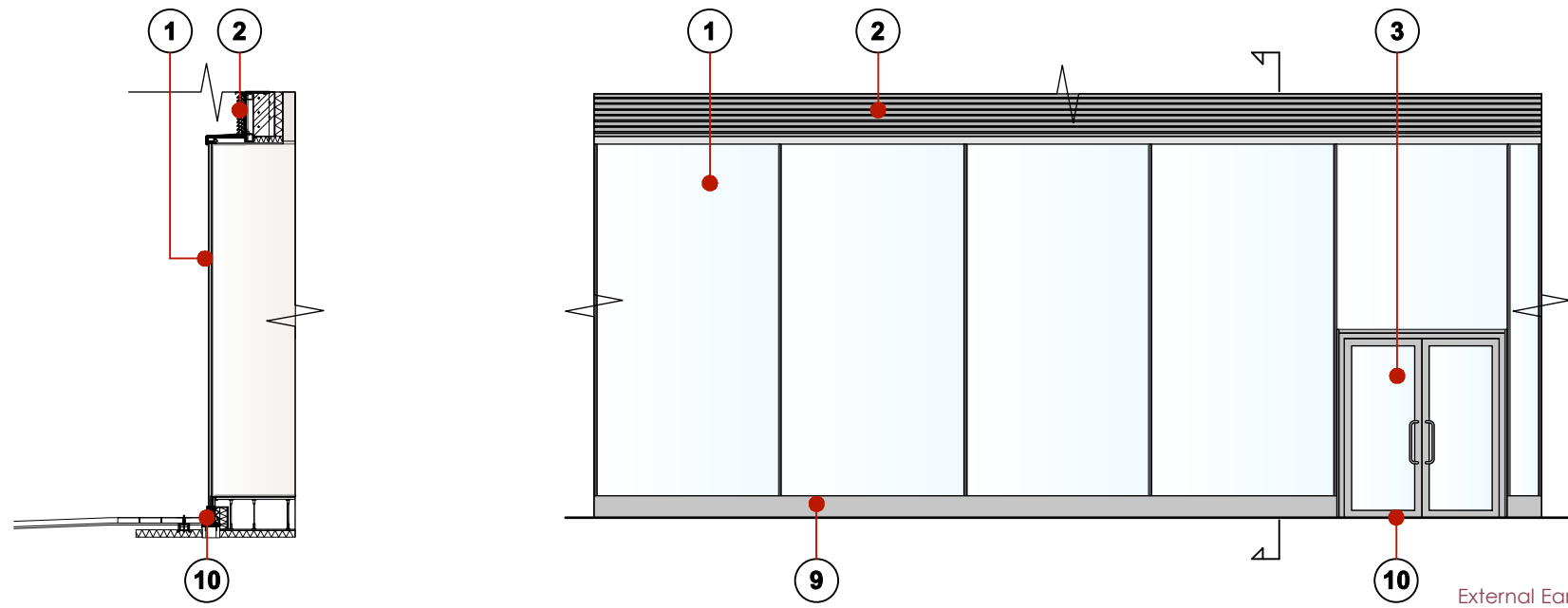
- ① **SHOPFRONT GLAZING - FULL HEIGHT:**
existing full height structural glass
- ② **SHOPFRONT LOUVRE:**
existing air supply louvres
- ③ **MAIN ENTRANCE (WEST):**
level access
doors installed by landlord - retained as is
- ④ **SILICONE JOINTS:**
black lines indicate full height silicone joints between glazing
- ⑤ **EXISTING LISTED COLUMNS:**
behind glazing - to be retained as is with no fixings
- ⑥ **STALLRISER:**
existing stallriser following gradient of passageway
- ⑦ **PAVEMENT LINE:**
blue dashed line indicates pavement level at Earnshaw St (East) entrance
- ⑧ **PAVEMENT LINE:**
red dashed line indicates pavement level at West entrance and main internal floor height
- ⑨ **STALLRISER:**
existing stallriser to Earnshaw St elevation retained as is
- ⑩ **SECONDARY ENTRANCE-EARNSHAW ST (EAST):**
level access from pavement (3no. steps within unit)
installed by landlord - retained as is



existing
External West Elevation/Section (main)
scale 1:100



existing
External North Elevation (Side)
scale 1:100



existing
External Earnshaw St Elevation/section (Secondary)
scale 1:100

Rev.	Date:	By:	Description:

PROJECT
★ PRET A MANGER ★

LOCATION
**Units R06 & R08, Centre Point House
St Giles Square, London, WC2H 8LW**

TITLE
EXISTING SHOPFRONT

DRAWING No.
1562-PRET-02.1

REVISION	DATE DRAWN	SCALE @ A3
	08.03.17	1:100

All dimensions to be confirmed on site by Contractor.
Structural works to be confirmed by Structural Engineer.
All elements to comply with statutory requirements.

Copyright One Red Wall Ltd
Claremont House, 22-24 Claremont Rd, Surbiton,
Surrey, KT6 4QU.
tel. 020 83993237
www.oneredwall.com

