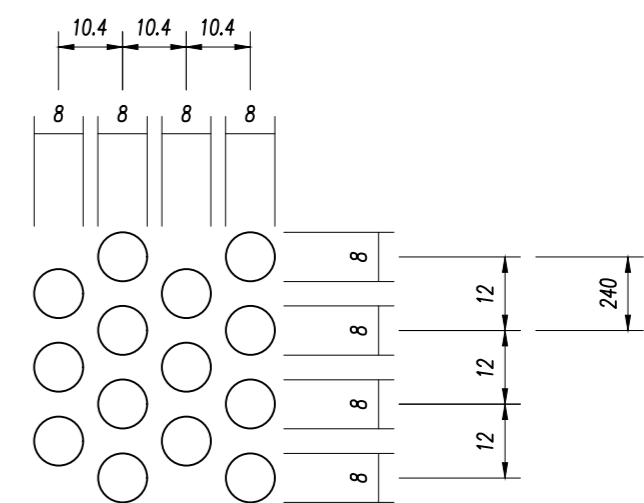


NOTE: ALL LETTER EDGES TO BE SOFTENED AS FITTED AT LOW LEVEL



SAMPLE HOLE LAYOUT FOR 1.5mm MILD STEEL PERFORATED SHEET PANEL (1:1)