

Document name: **328 CITE/HA CON10**

Issue date: 08/05/18

'Details of the proposed bird and insect boxes / bricks shall be submitted to and approved in writing by the Local Planning Authority prior to the first occupation of the new dwelling fronting onto St Paul's Crescent. The details shall include the exact location, specification and design. The approved boxes / bricks shall be installed with the development prior to the first occupation of the building. The boxes / bricks shall be installed strictly in accordance with the details so approved, and shall be maintained as such thereafter.'




1. Location of the bird and insect boxes on the site	page 02
2. Bird boxes: specifications	page 04
3. Bird boxes: design proposed	page 06
4. Insect hotel	page 08

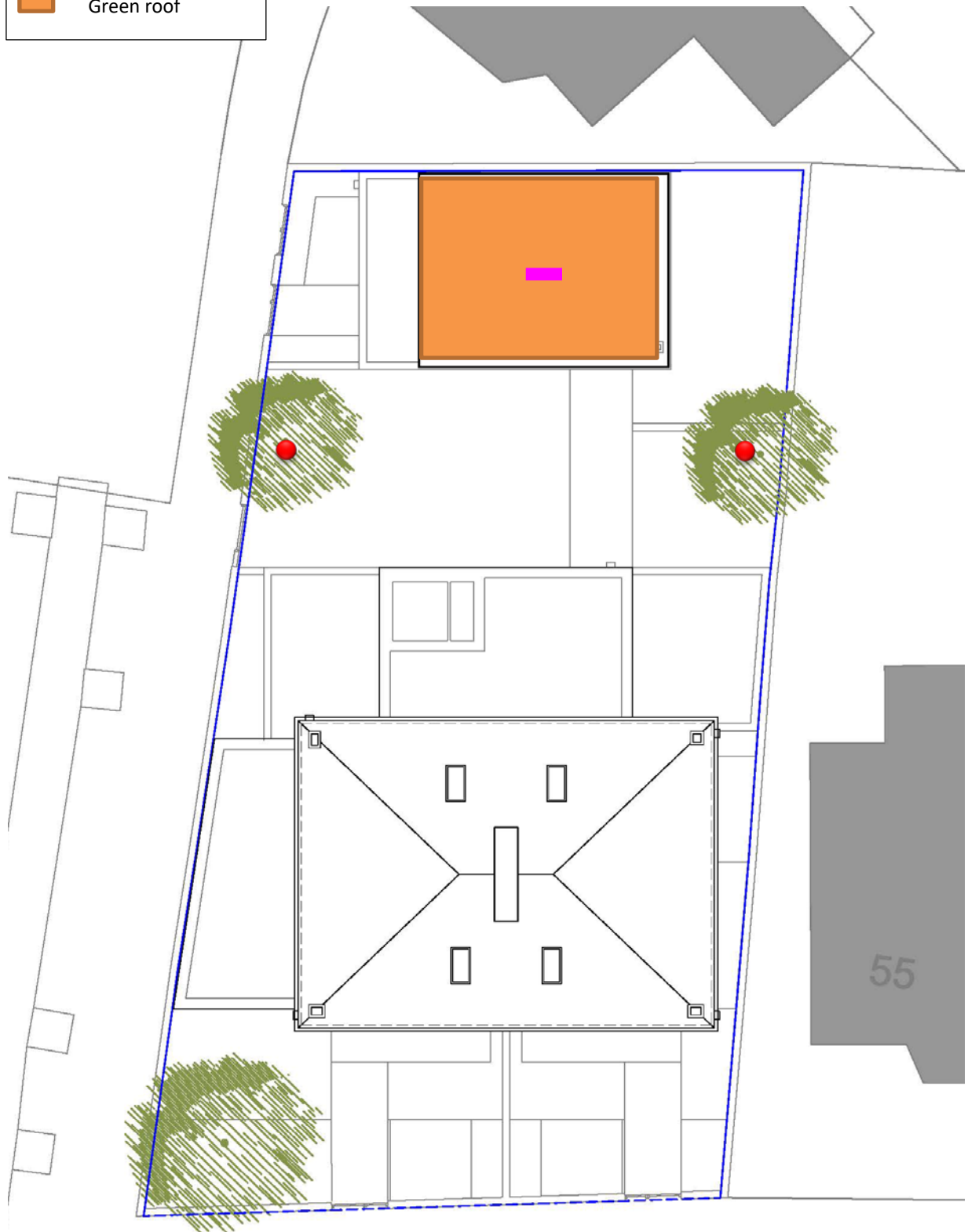
1. Location of the bird and insect boxes

As released in the Public Consultation on the 6th of March 2014 and pointed out in the 'Design and Access Statement by Dmfk', the areas for bird and insect boxes are highlighted in red.



Ground floor plan

-  Sparrow Box
-  Insect Hotel
-  Green roof



2. Bird boxes: specifications

Following the **BTO (British Trust for Ornithology)** recommendations below:

- Nest boxes of the same type should not be sited too close together as this may promote aggressive behaviour between neighbouring birds.
- The front of the next box should be angled vertically or slightly downward to prevent rain from entering the nest box.
- Small-hole boxes are best placed 1-3m above ground on tree trunks, but avoid sites where foliage obscures the entrance hole.
- Keep nest box away from bird feeders.
- Use galvanized or stainless steel screws or nails that will not rust.
- If fixing boxes to trees, galvanized wire can be used to tie the box to the trunk or hang it from a branch.
- Traditionally, nest boxes for small birds are put up in the spring. However it is never too early or late to put up a nest box, as some birds will use them to roost in during the winter months.

The specifications for the bird boxes proposed are the following:

Quantity: 2 units . (1 per tree)

Specific location: Fixed to the *Pyrus Communis* 'Beech Hill' in the Northwest section of the site – for more information about the tree see 328 CITE/HA TA A submitted 11/01/2015, available under request.

Height:

- Bird Box 1: approximately 2.0 m above ground (see below Sparrow specifications)
- Bird Box 2: approximately 2.0 m above ground (As Above)

Birds:

- Bird Box 1 & 2: **HOUSE SPARROW** (*Passer domesticus*)

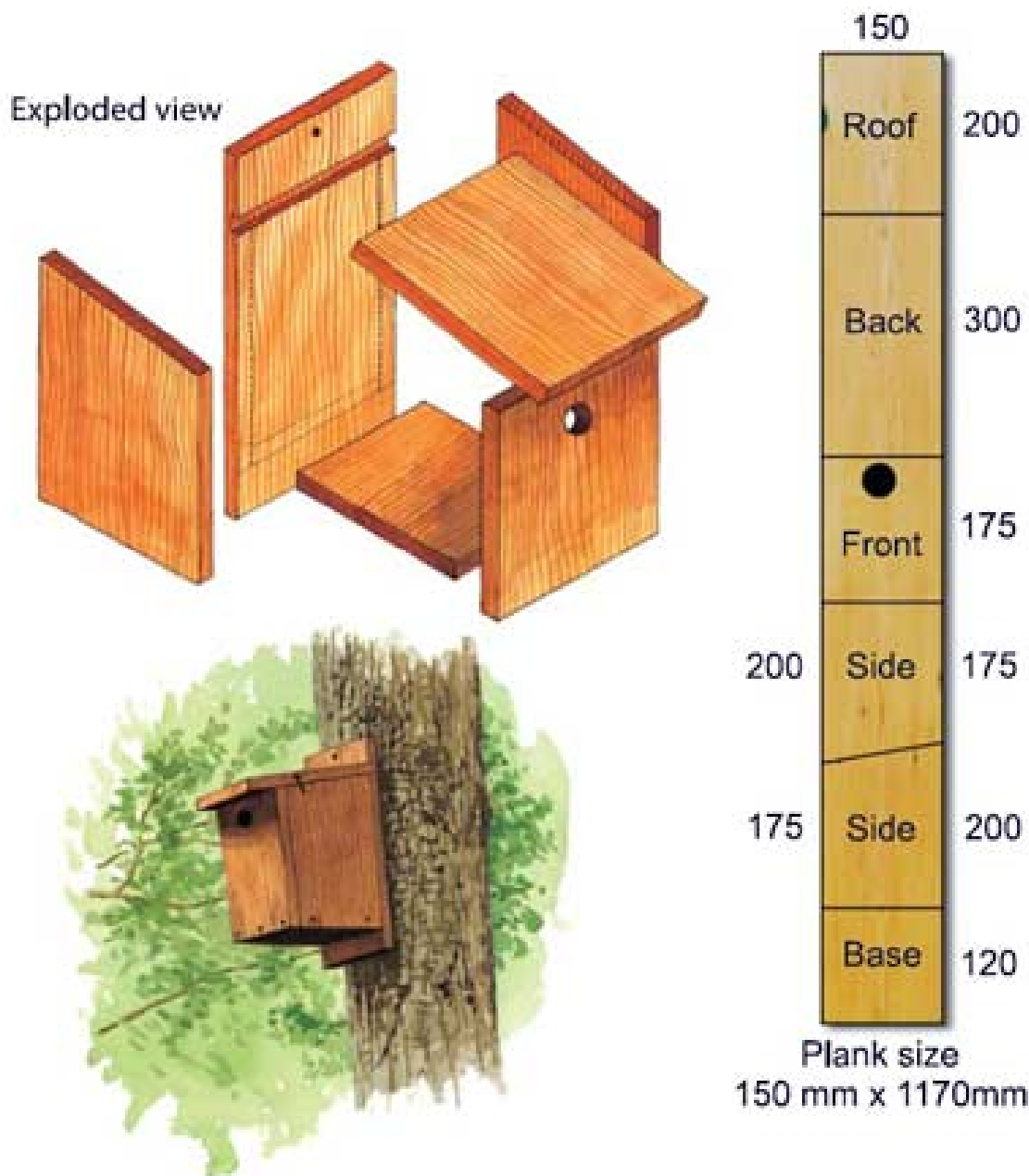
The House Sparrow is a small but sturdily built bird with a stout. Adult males are distinctive; the crown and nape are grey and only the sides of the head are brown. The black bib is wide and extends down onto the chest. The back is warm brown, streaked with black but with a few white wing feathers. House Sparrows are red-listed birds of conservation concern.

- Small nest box with hole (32mm)
- Nest height: over 2m above ground
- The nest is an untidy domed structure made of grasses, lined with feathers, hair and wool
- Egg laying starts between mid March and early August. Up to four broods
- 4 to 5 eggs. White or pale blue with darker spots
- Incubation time: 13 -15 days
- Nestlings fledge after 15-17 days

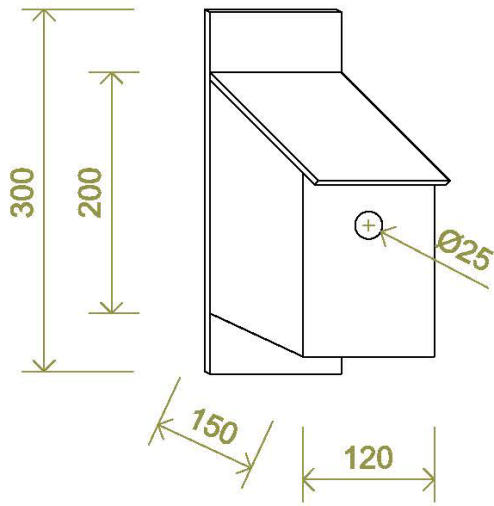


3. Bird boxes: design proposed

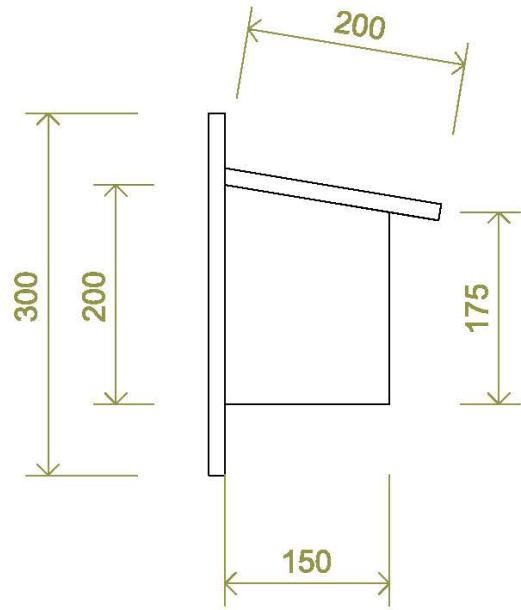
- Nest boxes should be made from wood
- The thickness of the wood should be at least 15mm to provide sufficient insulation and to prevent warping
- The boxes will be nailed together rather than gluing them (using galvanized/stainless steel nails to stop rust)
- A couple of holes will be drilled in the base of the boxes to ensure that any rain that does get in can drain out quickly



BIRD BOX 1:

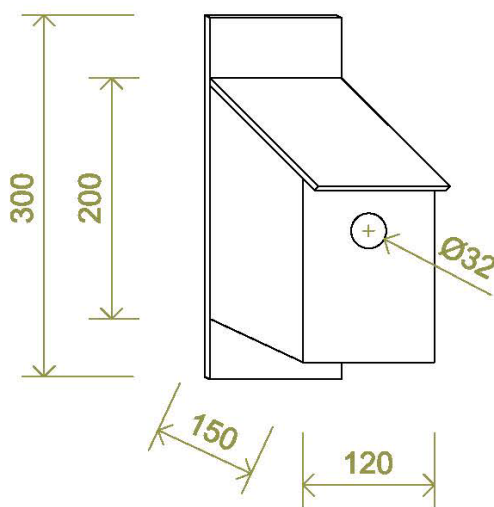


3 dimensions view

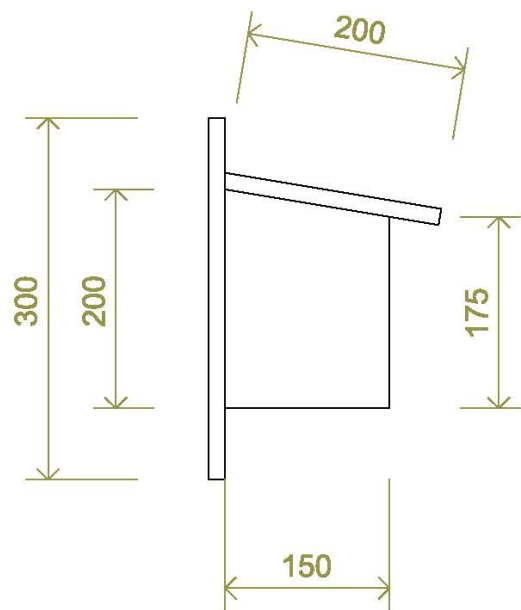


Side elevation

BIRD BOX 2:



3 dimensions view



Side elevation

4. Insect Hotel

As there are several elements which will attract the presence of different insects, it has been considered to create specific boxes for them on the green roof. See main elements below:

- Green roof – see Condition 12 (328 CITE/HA CON12) for the specifications of the green roof.

Low-moderate mixed pollen source will attract:

- Bees: Mason and Honey Bombus
- Insects: Chrysoperla / Hoverfly / Ladybird / Aphidius / Aphelinus and Aphidoletes

- Insect Hotel

There will be 1 no Insect hotel being located on the green roof facing south as per picture below.

It measure s 34 h X 12 w X 10 cm in size. This is very attractive to pollinating insects and attract a wide range of insect types:

- Bees: Honey and other bees
- Insects: Hoverfly / other Flies and late season Butterflies (like the Red Admiral)

