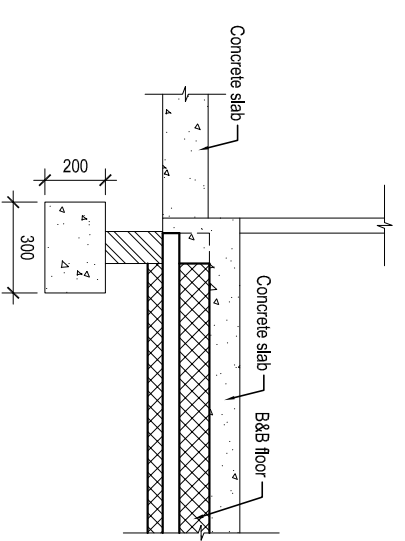
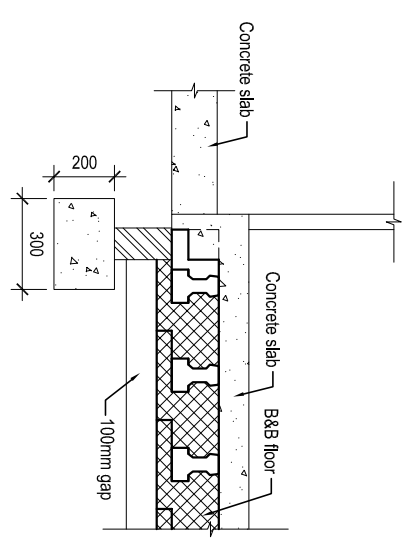


SECTION H - H



SECTION 1-1



SECTION 2 - 2

Ecos Maclean Ltd
Engineering - materials, energy, structure
8A Chamberlain Street - London NW1 8XB - Tel: 020 7722 7323 - Fax: 020 7722 9711
WebSite: www.nkmaclean.co.uk - email: office@ecosmaclean.co.uk

Bob Taylor

9 St Georges Terrace
London NW1 8XH

Sections H-H, 1-1, 2-2

Revision	01	18.06.18	MG	All structure aligned with face of PW. Information added on side 8
----------	----	----------	----	--

FOR SECTION 106				
Date	21.3.2018	Drawn by	MG	Checked
Scale	1:25 @ A3	Job No.	17054	Drawing No.
				Revision
				05
				01