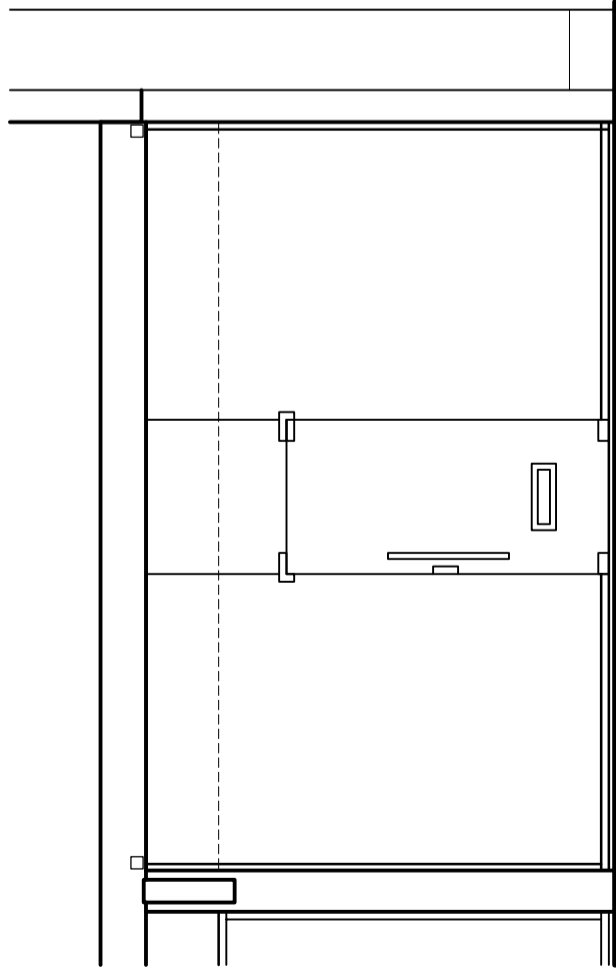


New internally illuminated projecting sign with twin pole fixing bracket

New internally illuminated sign box suspended from internal ceiling behind glass (permitted development)

New aluminium shopfront frame and door with ventilation grille above entrance door



## EXISTING SHOPFRONT ELEVATION X

### NEW SHOPFRONT DOOR, FRAME & VENTILATION GRILLE

Specialist shopfront manufacturer to conduct site survey and provide final specification to modify existing shopfront to remove existing glazed door and fanlight and fit new aluminium door frame, entrance door and aluminium louvered panel above for new internal ventilation system. Frames and panel to be light grey finish to match with wall cladding strip above.

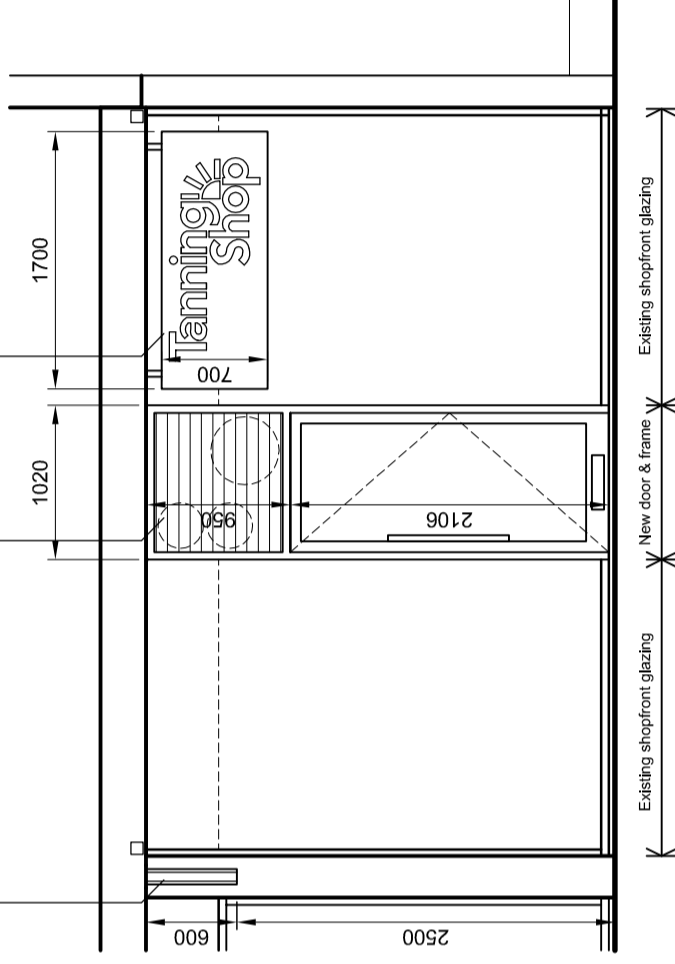
### SIGNAGE

Contractor and signage contractor are fully responsible for visiting site and including for all works arising from site conditions. Site dimensions are their full responsibility. Any discrepancies to be reported back to Retail Ignition immediately.

Shopfitting contractor to provide suitable electrical power supplies / connections and timer clock for internally illuminated fascia and projecting signage (as applicable) supplied by the signage contractor - ensure electrical cabling is concealed where possible.

### HANGING SIGN: INTERNALLY ILLUMINATED

New internally illuminated fascia sign box consisting of 14 gauge folded aluminium finished with a sprayed cellulose paint to give a satin / eggshell finish to all faces, colour ref: Brown Ral 8016 / Pantone 476C. Panel to be internally illuminated to light logo and lettering only. Maximum depth of sign to be 100mm. Sign to be hung with threaded rod system internally behind shopfront glazing (permitted development).



## PROPOSED SHOPFRONT ELEVATION X

"Tanning Shop" lettering and "Sun" logo to be fret cut into aluminium panel, backed with 3mm opal acrylic with 20mm th. 030 acrylic push through letters c/w translucent Yellow vinyl applied to the face of "Tanning" lettering (colour ref to match Pantone 143C) and deep Orange vinyl applied to face of "Sun" logo (colour ref to match Pantone 165C) and "Shop" lettering to be White.

All signage colours to match Tanning Shop standard corporate colours and supplied artwork.

### PROJECTING SIGN: INTERNALLY ILLUMINATED

New internally illuminated circular projecting sign box consisting of powder coated aluminium casing colour ref: Brown Ral 8016 / Pantone 476C c/w reverse decorated acrylic face panels with lettering and logo as detailed below:

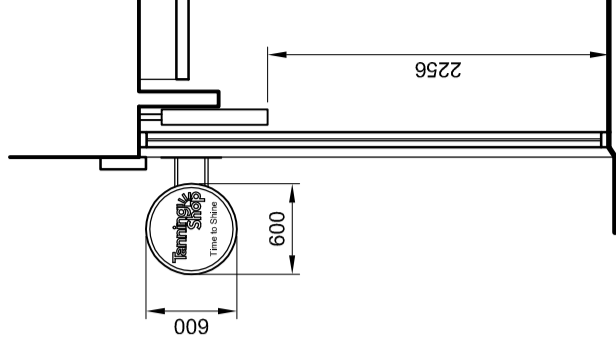
"Tanning" lettering to be yellow to match Pantone 143C.

"Sun" logo to be deep orange to match Pantone 165C.

"Shop" lettering to be white.

"Time to Shine" lettering to be deep orange to match Pantone 165C.

## SHOPFRONT SECTION



Sign to be internally illuminated to light logo and lettering only on both sides of sign. Maximum depth of sign to be 100mm.

All signage colours to match Tanning Shop standard corporate colours and supplied artwork.

B	For Planning	02 / 07 / 18
A	New door, frame & vent grille required further to fabricator feedback	12 / 03 / 18

### CLIENT

The Tanning Shop  
PROJECT  
116-118 Finchley Road, London NW3 5HT  
TITLE  
Existing & Proposed Shopfront & Signage

DRAWN BY MIL CHECKED BY GW DATE 01/03/18  
 DIRECTORY MIL 2018 DRAWING NO: SCALE 1:50 A3  
 DWG NAME EXIST006  
 RAD XX  
 LOCATION XX

**R18-006-02B**

**retail ignition**  
store design

47 MATLOCK ROAD  
SHEFFIELD  
SOUTH YORKSHIRE  
S6 3RQ  
ENGLAND  
TEL: 0044 (0)114 233 4020  
EMAIL: info@retalignition.co.uk