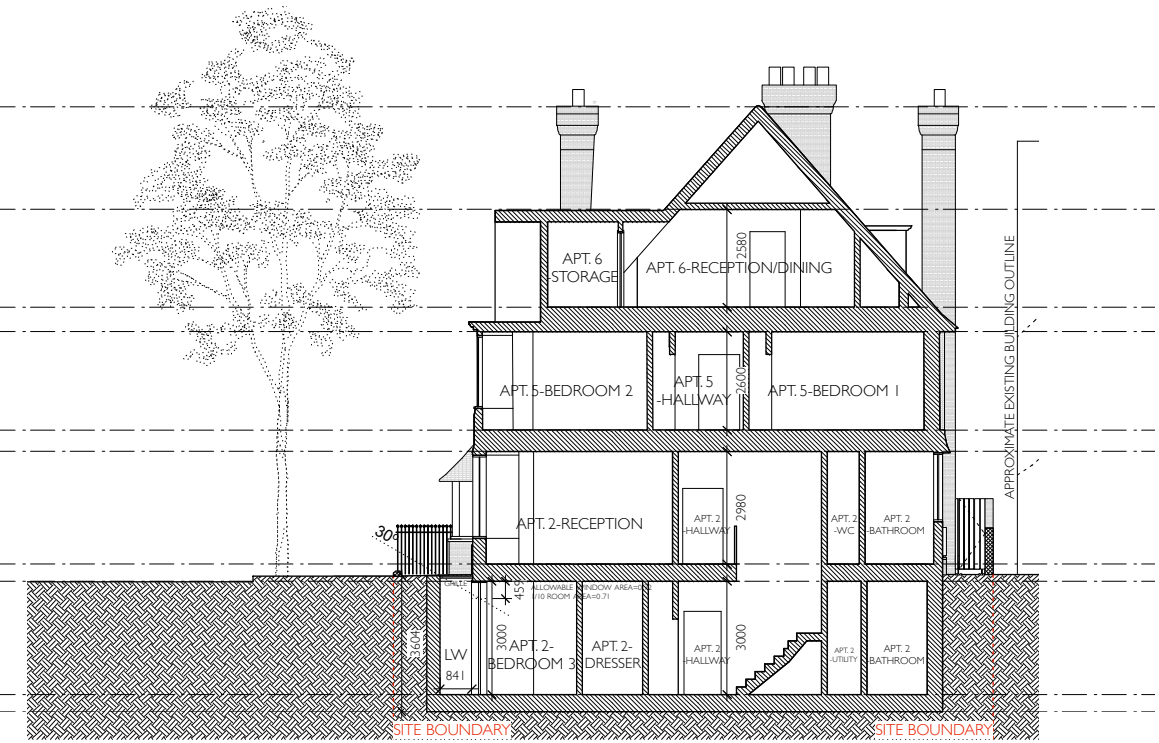
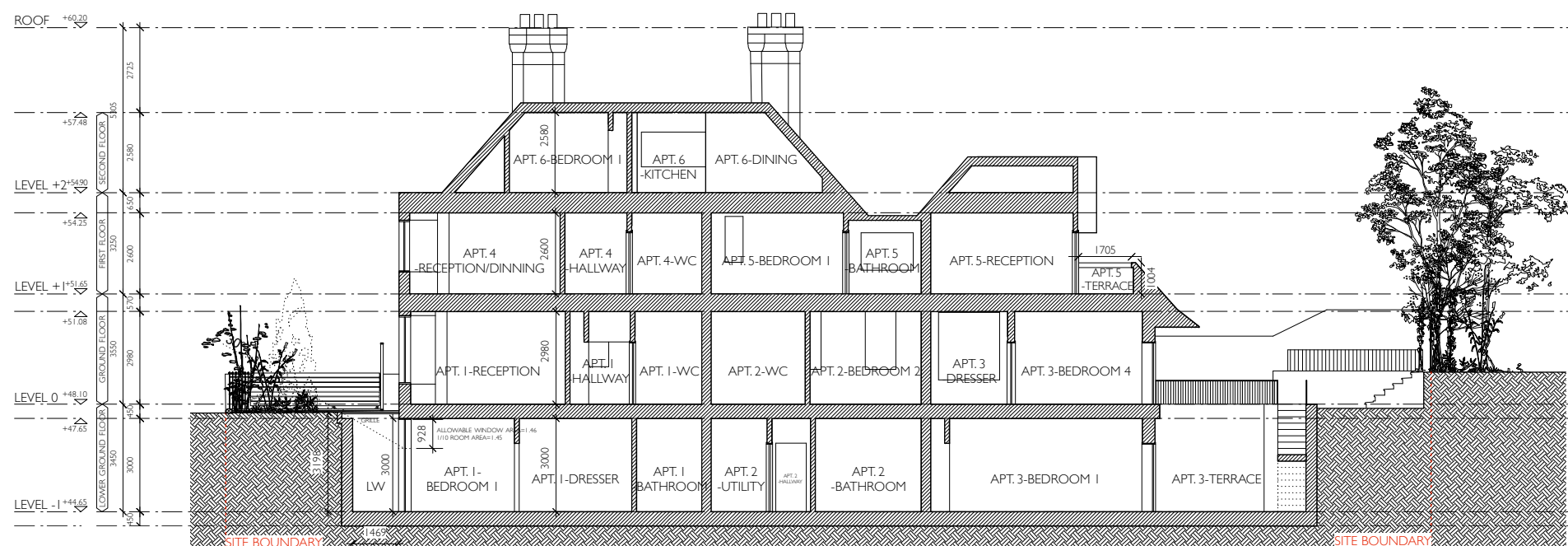


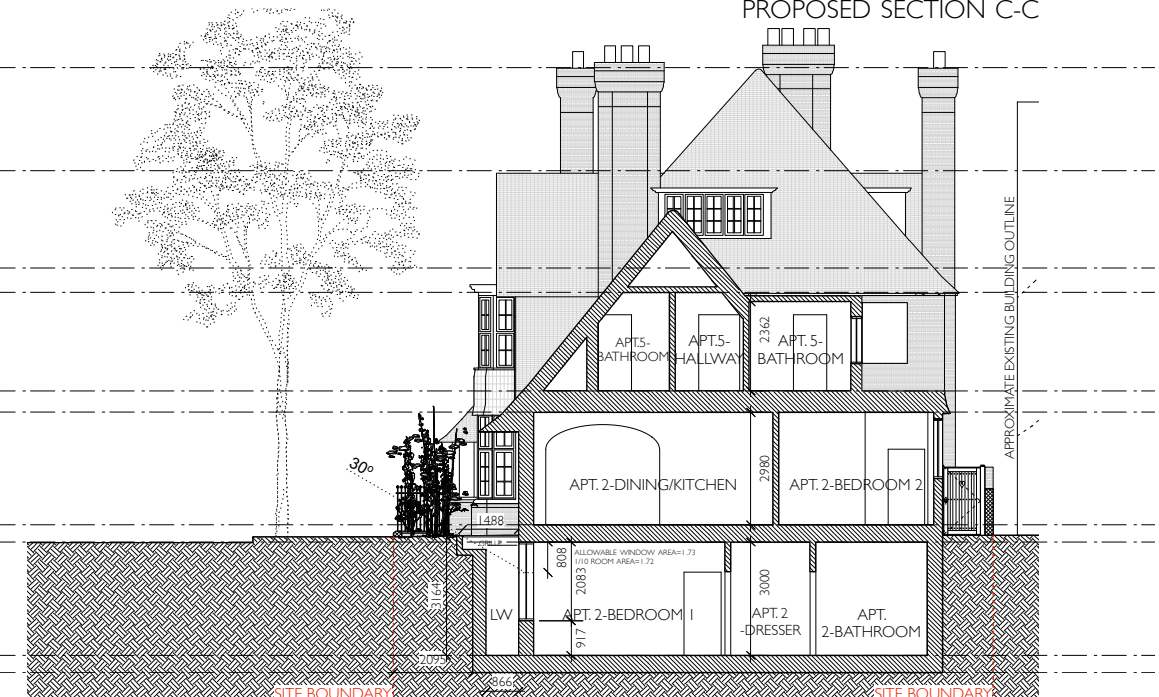
PROPOSED SECTION A-A



PROPOSED SECTION C-C



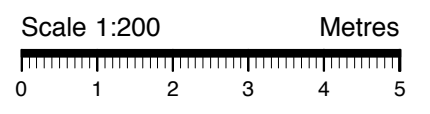
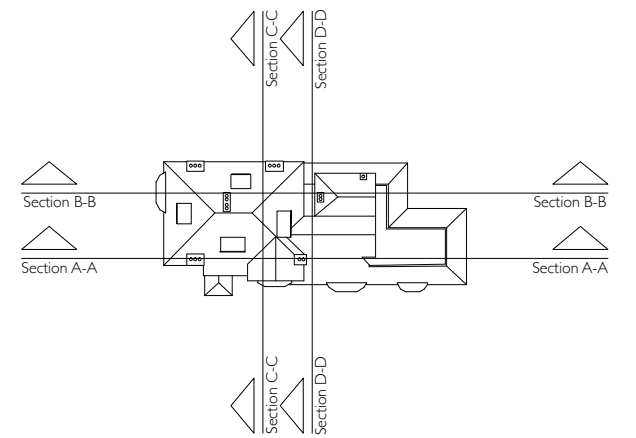
PROPOSED LONG SECTION B-B



PROPOSED LONG SECTION D-D

GENERAL NOTES
 All dimensions are to be checked on site before commencement of works.
 All sizes and dimensions to any structural elements are indicative only. See structural engineer's drawings for actual sizes/dimensions.
 Sizes of and dimensions to any service elements are indicative only. See service engineer's drawings for actual sizes/dimensions.
 This drawing to be read in conjunction with all relevant Architect's drawings, specifications and other consultants' information.

LEGEND



REV.	DATE	DESCRIPTION	INITIALS

1 WADHAM GARDENS PROPOSED DRAWINGS	
PROJECT:	Wadham Gardens
CLIENT:	Marcus Cooper Group
DRAWING:	Proposed Sections
SCALE:	1:100@A1/1:200@A3
DATE:	May-18
CAD FILE:	1179-03 Proposed
DRAWING NO:	1179-03 Proposed
DRAWN:	MF
CHECKED:	SW
REV:	

HUB ARCHITECTS AND DESIGNERS LTD
 15 Hoopers Yard London NW4 7EJ | 020 7328 2576 | 0207 624 7811 Email: info@hubarchitects.co.uk