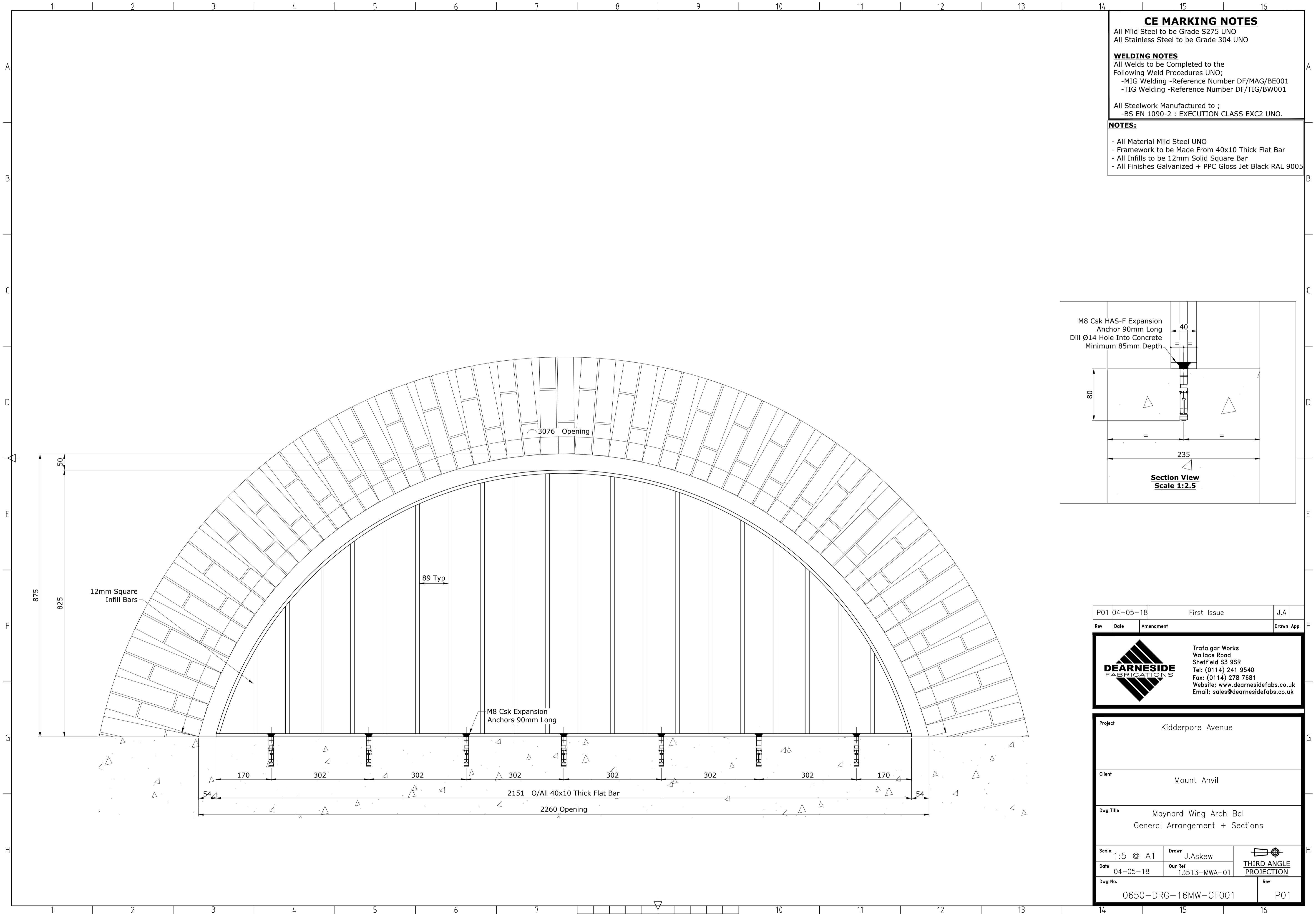


IF IN DOUBT ASK

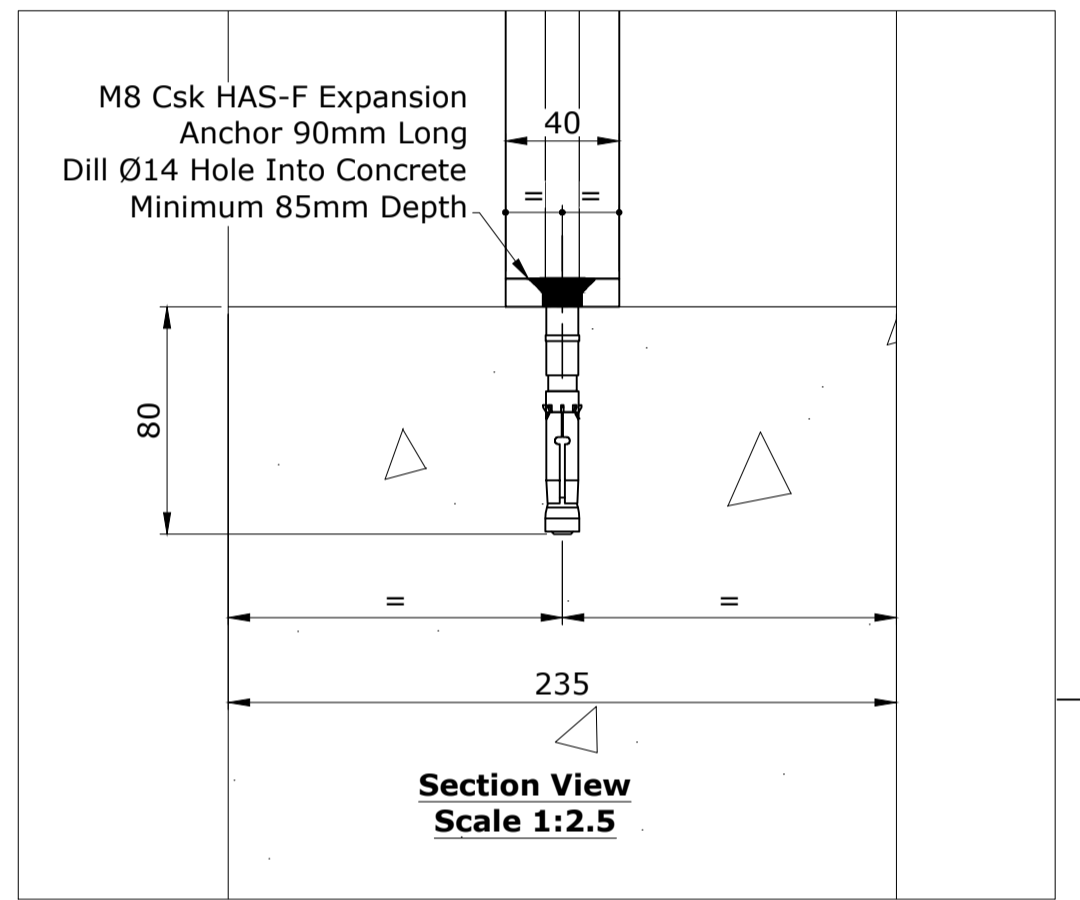


CE MARKING NOTES
 All Mild Steel to be Grade S275 UNO
 All Stainless Steel to be Grade 304 UNO

WELDING NOTES
 All Welds to be Completed to the Following Weld Procedures UNO;
 -MIG Welding -Reference Number DF/MAG/BE001
 -TIG Welding -Reference Number DF/TIG/BW001

All Steelwork Manufactured to ;
 -BS EN 1090-2 : EXECUTION CLASS EXC2 UNO.

NOTES:
 - All Material Mild Steel UNO
 - Framework to be Made From 40x10 Thick Flat Bar
 - All Infills to be 12mm Solid Square Bar
 - All Finishes Galvanized + PPC Gloss Jet Black RAL 9005



P01	04-05-18	First Issue	J.A
Rev	Date	Amendment	Drawn App
		Trafalgar Works Wallace Road Sheffield S3 9SR Tel: (0114) 241 9540 Fax: (0114) 278 7681 Website: www.dearnesidefabs.co.uk Email: sales@dearnesidefabs.co.uk	
Project		Kidderpore Avenue	
Client		Mount Anvil	
Dwg Title		Maynard Wing Arch Bal General Arrangement + Sections	
Scale	1:5 @ A1	Drawn	J.Askew
Date	04-05-18	Our Ref	13513-MWA-01
Dwg No.	0650-DRG-16MW-GF001		Rev
			P01

THIRD ANGLE PROJECTION