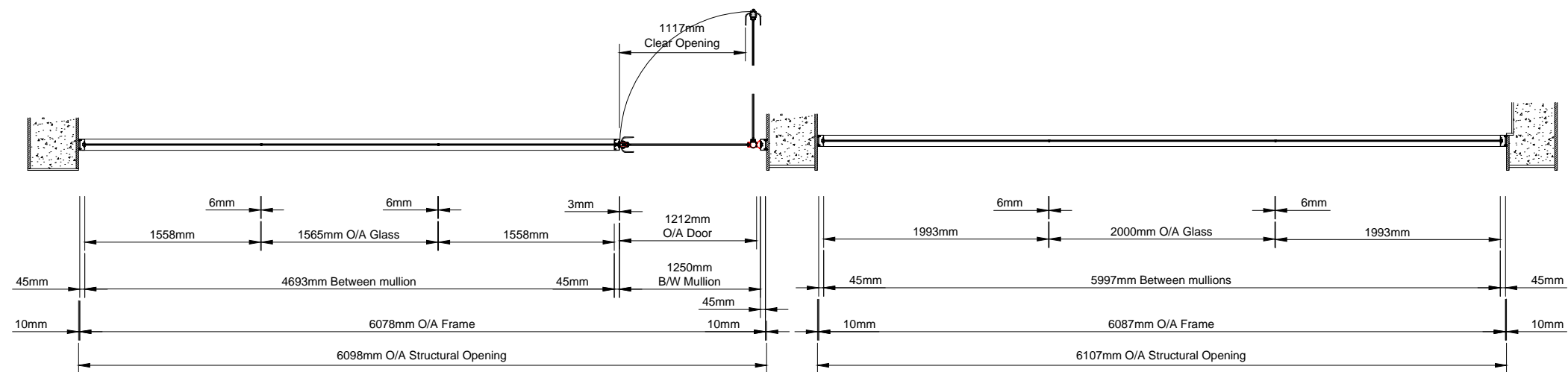


External front elevation @ 1:50



Plan View @ 1:50

NOTES

- 1) ALL DIMENSIONS TO BE CHECKED ON SITE AND NOT SCALED FROM THIS DRAWING.
- 2) MALCOLM HOLLIS SHALL BE INFORMED IN WRITING OF ANY DISCREPANCIES.
- 3) ALL DIMENSIONS ARE IN METRES ONLY.

KEY

185/186 Tottenham Court Road  
London, W1T 7PG

**malcolm hollis**  
140 London Wall  
London  
EC2Y 5DN

T 020 7622 9555  
W malcolmhollis.com

PROPOSED ELEVATIONS

Date	16.05.2018	Drawn By	AMB	
Scale	1:50 @A3	Checked	TP	
Project	08674	Discipline/Room	Number	Revision
	MHL	00	XX	MZ
	10450		A7	