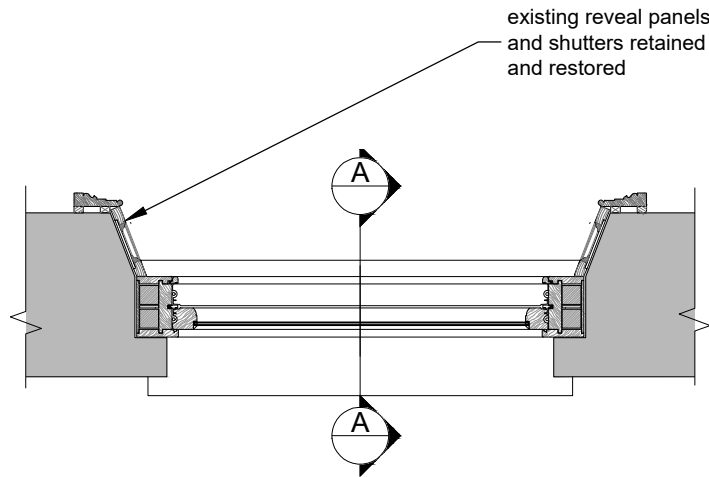


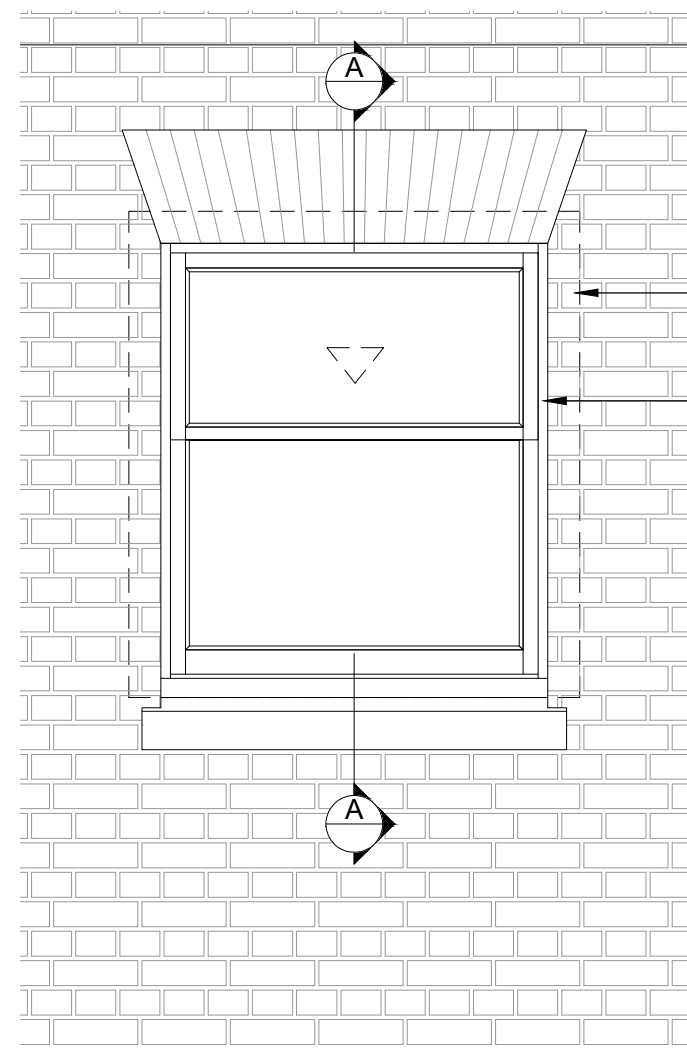
GENERAL NOTES

READ IN CONJUNCTION WITH DRGS 16F8.EX.1000

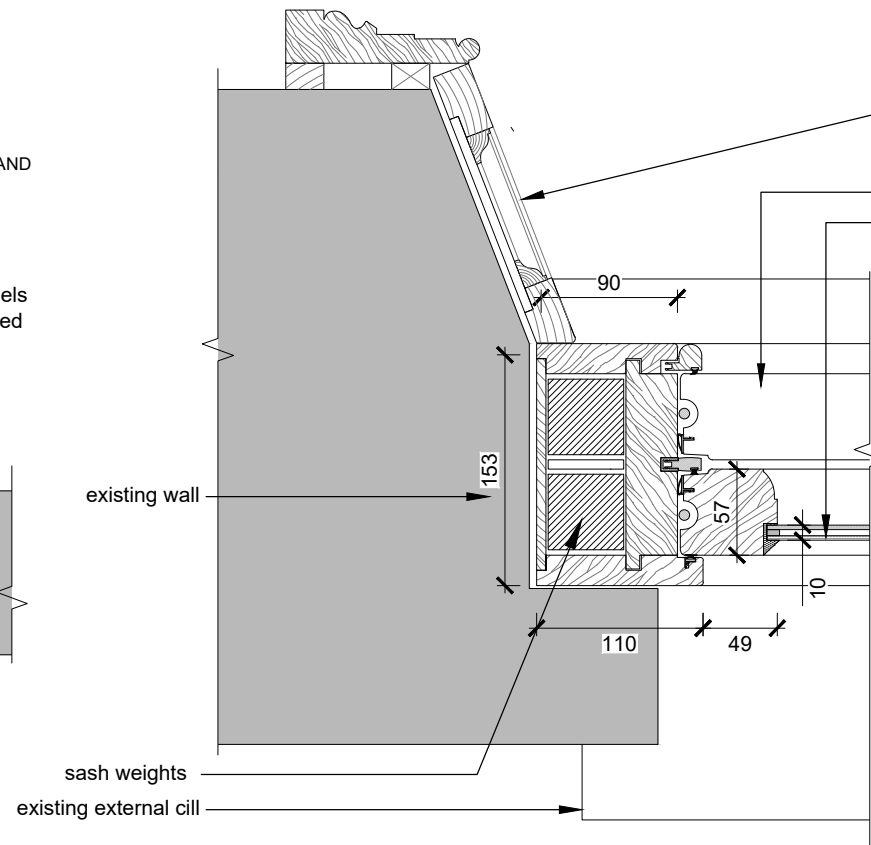
1. EXISTING REVEAL PANNELLING TO BE RETAINED AND RESTORED.
2. SLIM 10MM (3+4+3) LOW -E DOUBLE GLAZED UNITS WITH TRUE BARS AND EXTERNAL PUTTY FACED FINISH.
3. SASH AND BAR PROFILE TO BE OGEE



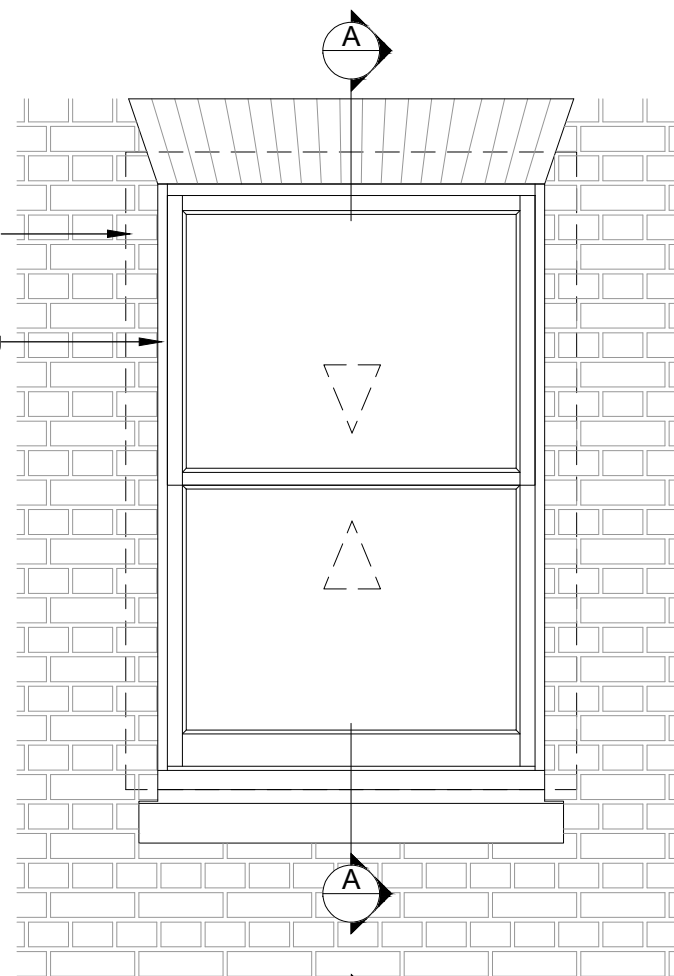
PLAN - TYP. WINDOW
Scale: A3 @ 1:20



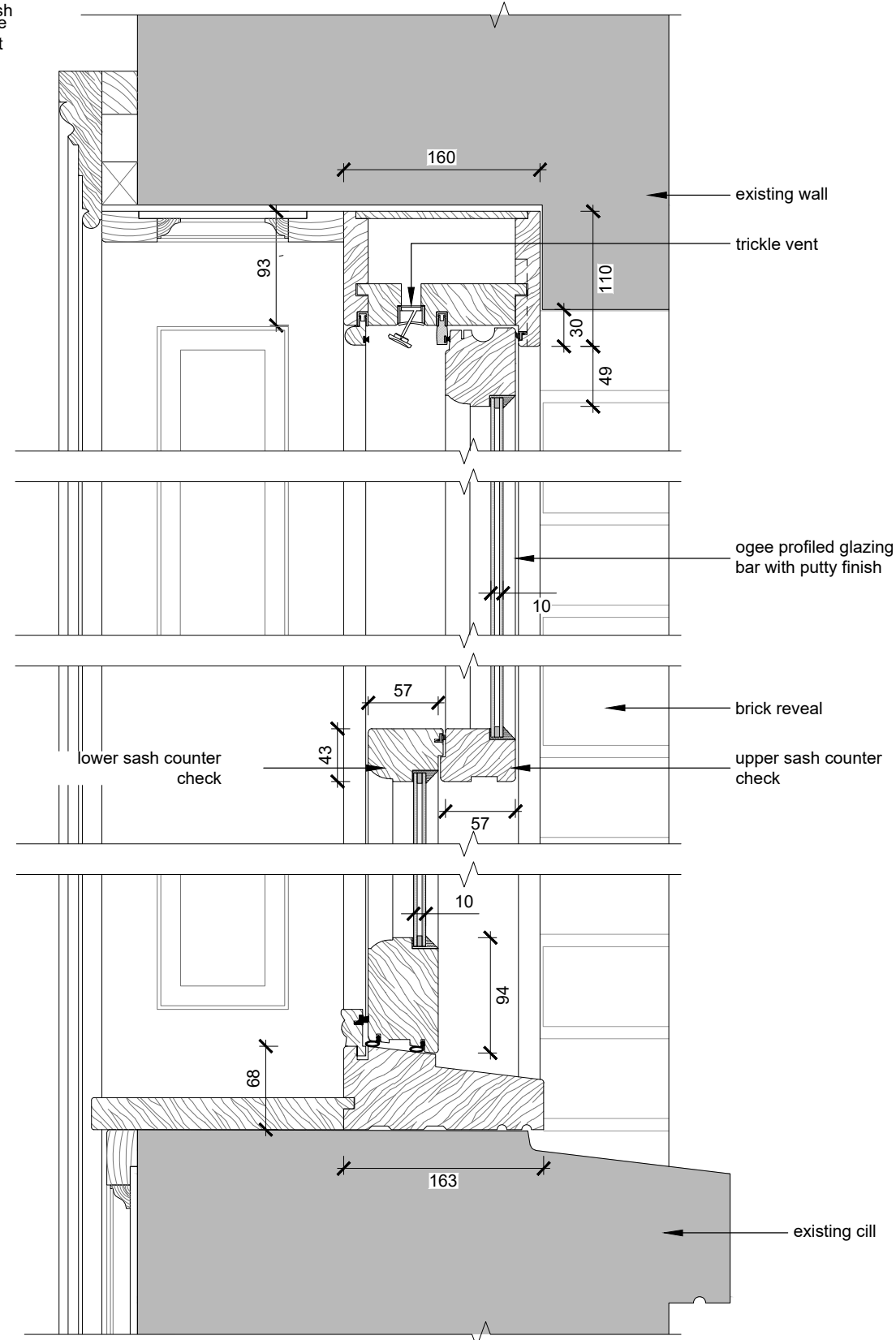
ELEVATION - WINDOW 3RD FLOOR
Scale: A3 @ 1:20



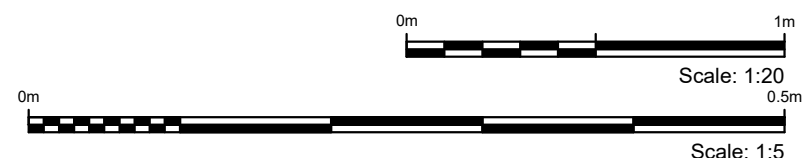
JAMB DETAIL
Scale: A3 @ 1:5



ELEVATION - WINDOW 2ND FLOOR
Scale: A3 @ 1:20



DETAIL SECTION A
Scale: A3 @ 1:5



This drawing must not be reproduced without permission.
Do not scale from drawing.
Contractor to check all dimensions on site.
Report discrepancies to the architect.

00 09.01.2018 WHL
* ISSUED FOR PLANNING

rev amendments date by



55 Kingstown Street
London NW1 8JP
T +44 (0) 20 7436 1133
W ipa-architects.com

Project
64-65 GUILFORD STREET
LONDON
WC1N 1DD

Drawing Title
LISTED BLDG
WINDOW DETAILS
REPLACEMENT SASHES
& NEW WINDOWS

Drawing Status
PLANNING

Date 09.01.2018 Drawn by WHL

Scale A3 @ 1:20 / 1:5

Drawing No. 16G4.AS.4000 Rev 00

Cad File 16F8.AS.100.101 (LB DR & WIN)

© IPA Architects: All rights reserved.