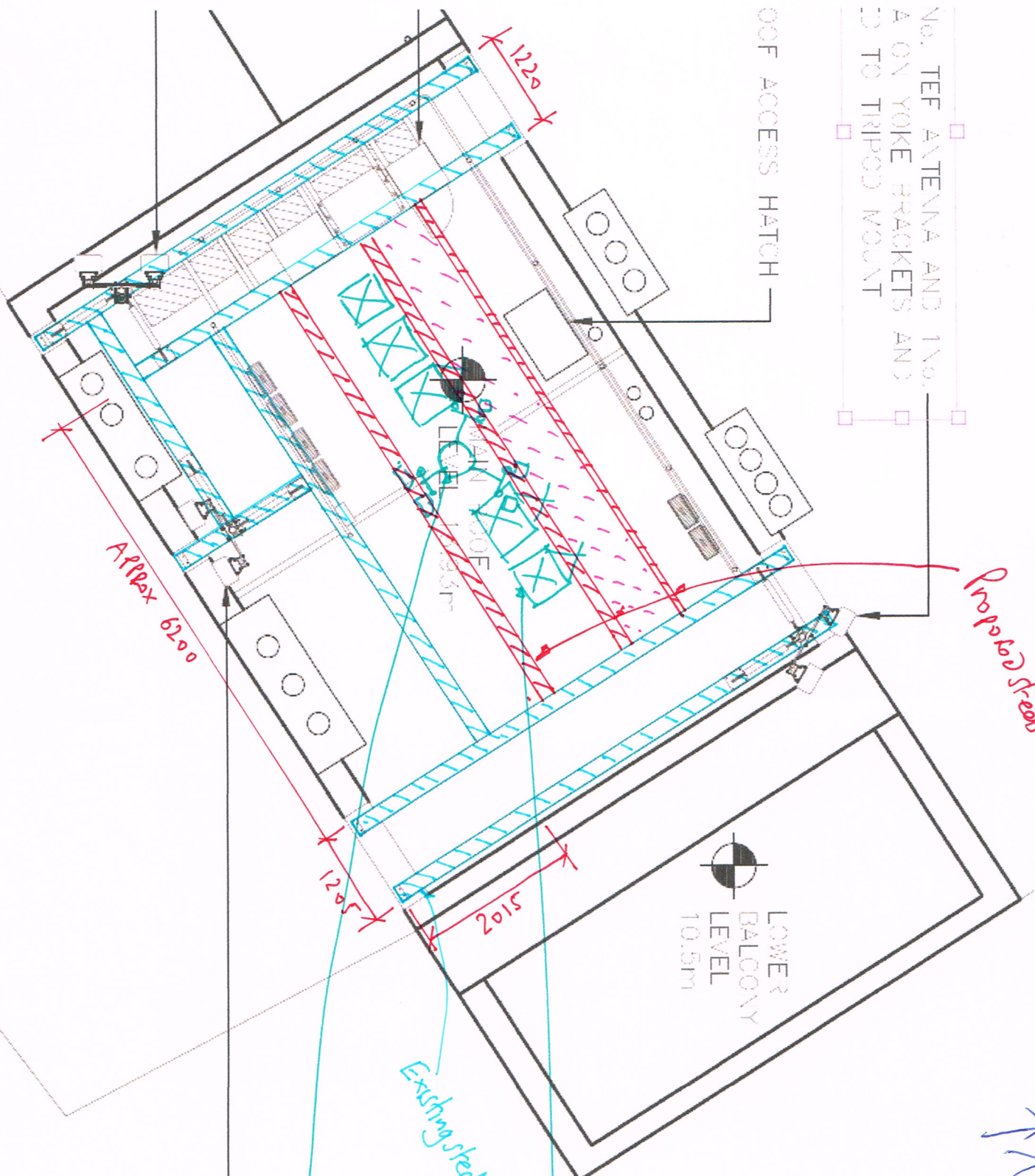


No. TEF ANTENNA AND 1/6  
A ON YOKE BRACKETS AND  
20 TO TRIPOD MOUNT

OOE ACCESS HATCH



Proposed steels

Proposed rebarbed cables

Existing steels

Proposed Cu Phase 4-5  
4-5 slab form with  
Phase 4-5 headform.

PLAN

↑ N

1 NO.  
AND

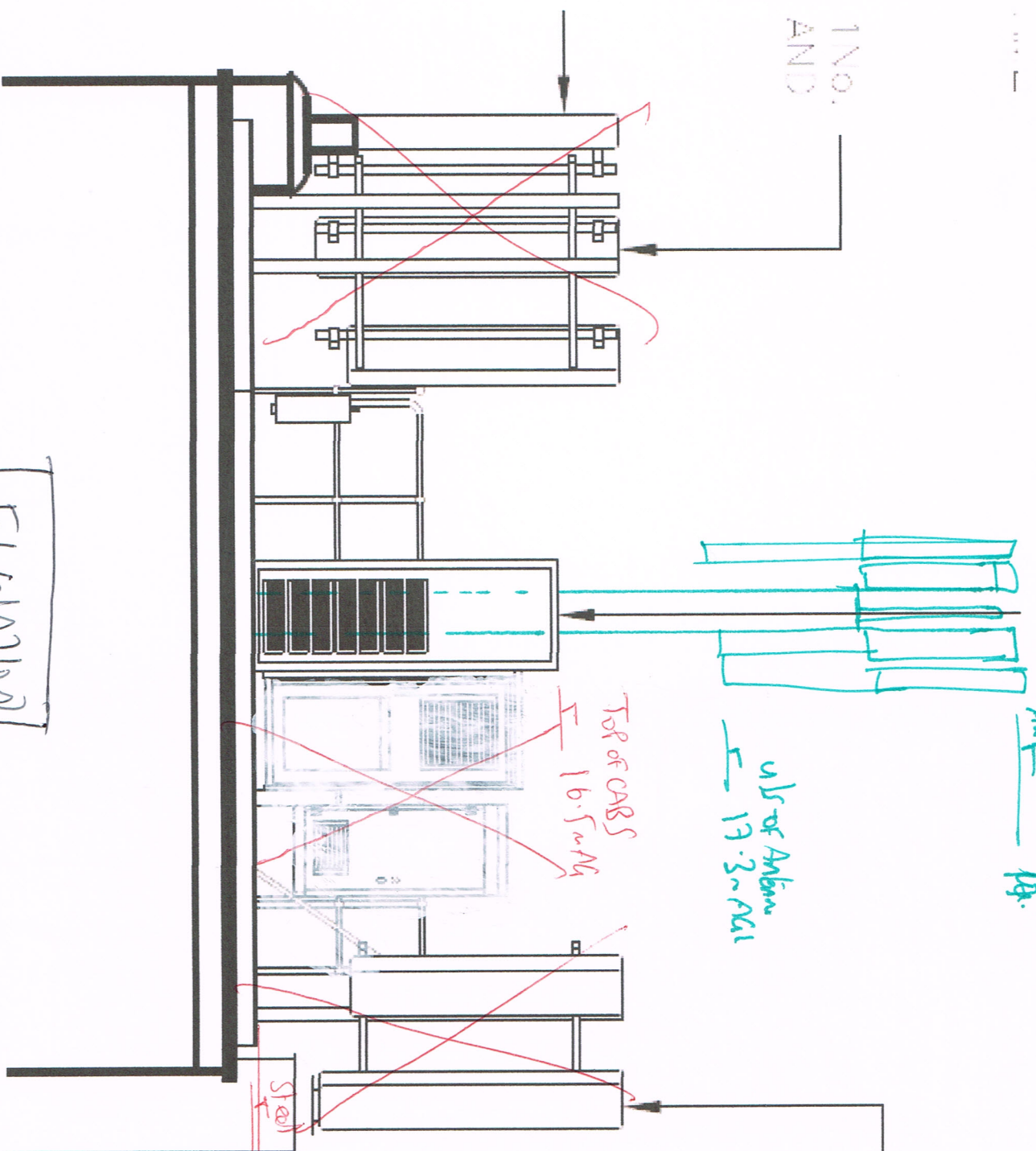
19.3m TOP OF ANTENNA  
18.

U/S OF ANTENNA  
17.3m AGL

TOP OF CABS  
16.5m AGL

STEEL  
14.5m AGL

ELEVATION



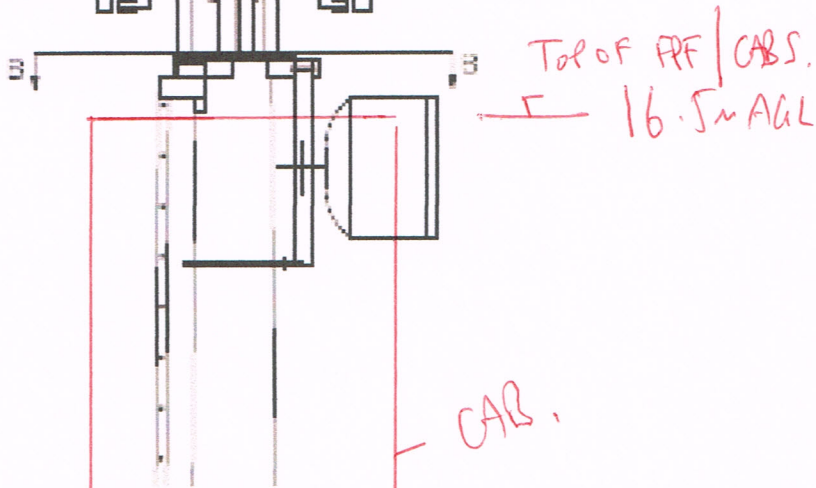
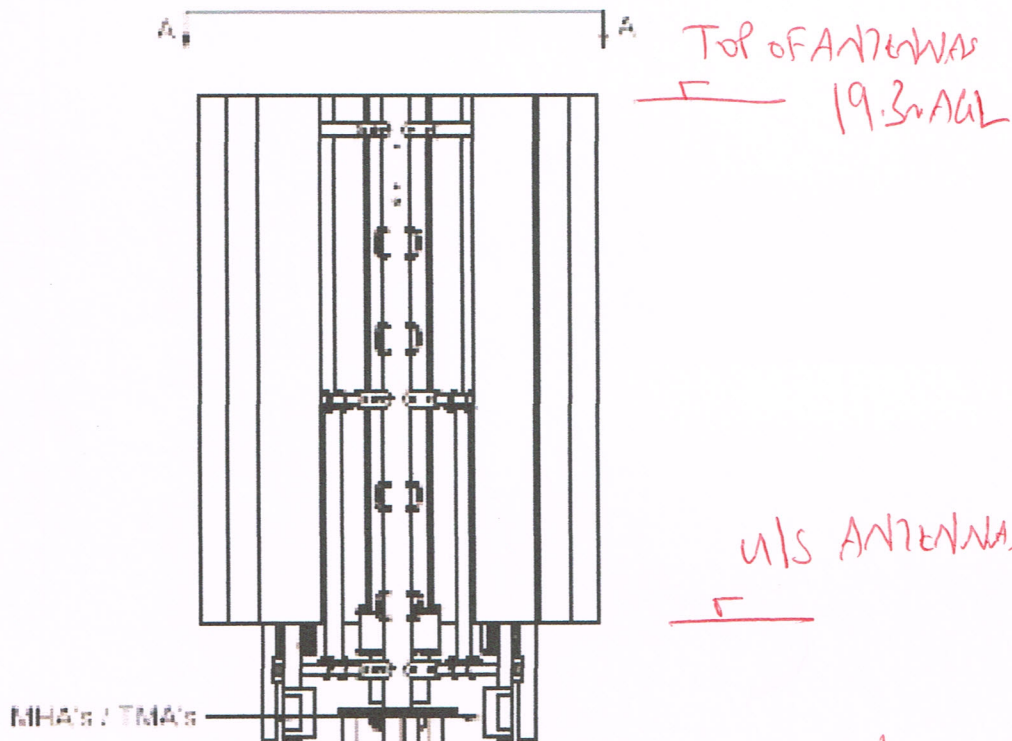
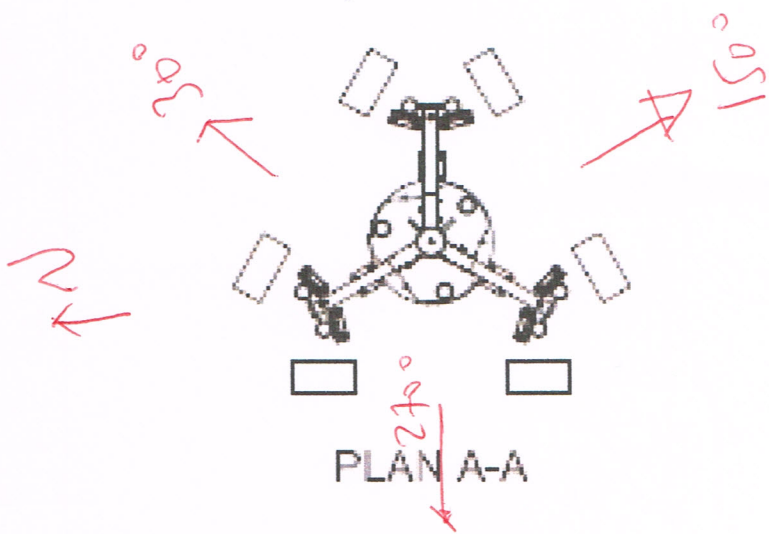
EXISTING 1 NO. TEF AT  
VF ANTENNA ON YOKI  
POLES FIXED TO TRIP

TOP OF EXISTING TEF

U/S OF EXISTING VF

U/S OF EXISTING TEF

ROOF LEVEL +13.93m



EXISTING STEEL CASE

14.5m AGL

STEEL