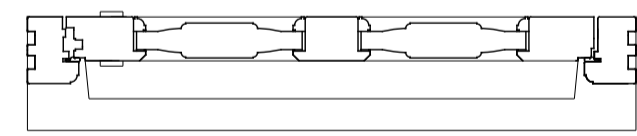
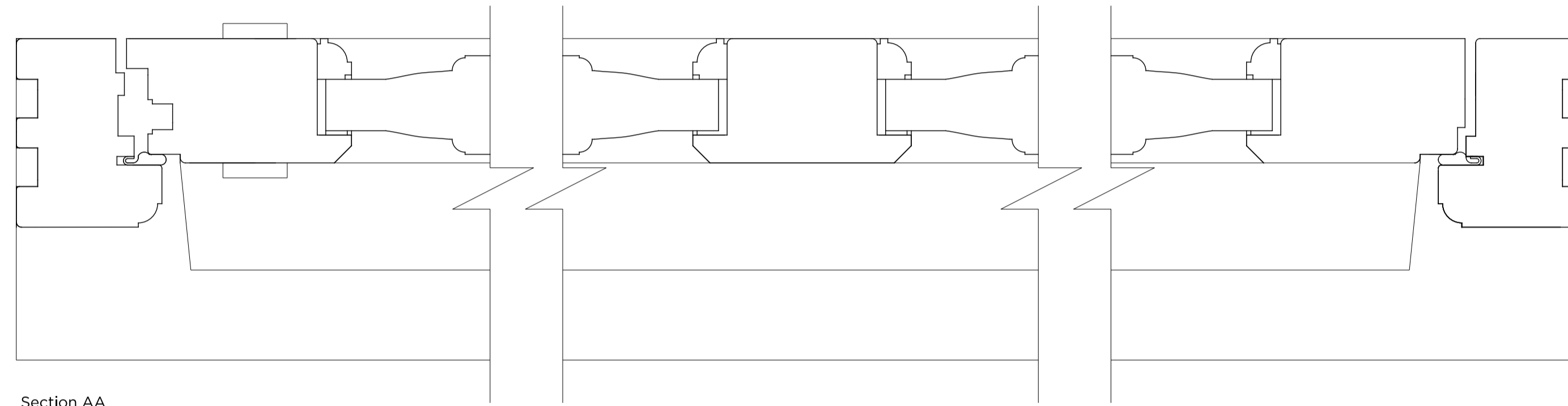


External Elevation  
DLG.07, scale 1:10  
Hardwood 4 panel door



Section AA  
DLG.07, scale 1:10  
Hardwood 4 panel door



Section AA  
DLG.07, scale 1:2  
Hardwood 4 panel door

Rev 09.07.2018 Issued for Planning

# PLANNING

Project No. 16006

Client Mr. & Ms. A. Saleh

Date July 2018

Scale 1:10@A1 / 1:20@A2

Project 17 East Heath Road, NW3

Drawing Title: Proposed Door Detail DLG.07

Drawing No. Rev. -

Drawn	Approved	Signed
LG	RD	RD



66-68 Margaret Street W1W 8SR T. 020 7580 9336 www.mw-a.co.uk

Copyright Marek Wojciechowski Architects Limited. No implied license exists. This drawing should not be used to calculate areas for the purposes of valuation. All dimensions to be checked on site by the contractor and such dimensions to be their responsibility. Do not scale drawings. All work must comply with relevant British Standards and Building Regulations requirements. Drawing errors and omissions to be reported to the architect.

