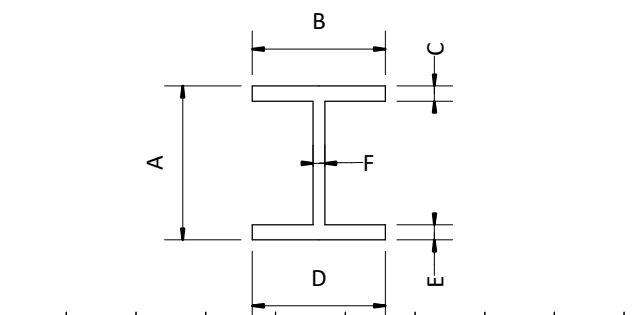


Column Schedule

C2	203x203x46 UC
C3	203x203x86 UC
C4	254x254x89 UC
C5	356x406x235 UC
C6	250x150x14.2 RHS cranked column
C7	152x152x30 UC
C9	203x203x46 UC

Fabricated beam Schedule

Beam Ref:	A (mm)	B (mm)	C (mm)	D (mm)	E (mm)	F (mm)	Weight (kg/m)
FB01	550	400	60	400	60	20	445.00
FB02	480	340	25	340	25	10	168.00



Beam Schedule

B1	203x203x46 UC + 200x100x10 UA
B2	203x203x60 UC + 150x90x10 UA
B4	203x203x86 UC + 150x90x10 UA
B5	254x254x89 UC + 200x100x10 UA
B6	610x305x238 UB
B7	203x203x46 UC
B10	305x305x97 UC + 200x100x10 UA
B12	150x150x10 SHS
B14	305x305x137 UC + 200x100x10 UA
B15	250x150x14.2 RHS
B17	457x191x89 UB + 150x90x10 UA
B18	533x210x92 UB + 150x90x10 UA
B19	533x210x109 UB + 150x90x10 UA
B23	356x171x45 UB
B25	305x102x25 UB
B26	254x102x25 UB
B27	254x102x25 UB + 150x90x10 UA
B30	356x171x51 UB + 150x90x10 UA
B31	305x102x28 UB + 150x90x10 UA
B33	152x152x23 UC
B34	203x102x23 UB
B35	254x254x89 UC
B37	305x165x46 UB
B38	305x305x240 UC
B40	203x203x113 UC
B41	254x254x73 UC
B42	356x368 UC153 + 200x100x10 UA
B43	305x305x97 UC
B44	200x150x12.5 RHS laid flat
B45	150x100x8 RHS laid flat
BR1	100 x 10 MS plate cross-brace
BR3	30mm macalloy bar
EA1	100x100x10 EA fixed to perimeter

Floor Legend

1	130 thk profiled NWC slab on TATA Comflor 60 1.0 mm gauge deck with A193 mesh top and 1 no. H16 bar per trough
2	200 thk profiled NWC slab on TATA Comflor 60 1.0 mm gauge deck with A193 mesh top and 1 no. H16 bar per trough
3	200 d x 75 w C24 joists at 400 crs with 18 thk plywood screwed to top face
4	200 d x 50 w C24 joists at 400 crs with 18 thk plywood screwed to top face
5	200 thk RC slab
6	300 thk RC slab
7	250 thk RC slab
8	150 thk profiled NWC slab on TATA Comflor 60 1.0 mm gauge deck with A193 mesh top and 1 no. H16 bar per trough
9	100 d x 50 w C24 joists at 400 crs with 18 thk plywood screwed to top face

* Indicates angle welded to web of beam. Size indicated in table above

Bx 19mm dia x 100 long shear studs. 1No per rib

Detail Key

	Proposed RC structure
	Proposed WRC structure
	Proposed Steel Framing
	PS1 - 450lg x 150wd x 150dp MC padstone
	Connection Strengthening
	Crank
	Splice
	Moment connection
	Thermal Break
	Pre-camber
	Break in beam

HEYNE TILLET STEEL STRUCTURAL ENGINEERS
hts.uk.com

Job Name
The Hope Project

Drawing Title
Proposed Sub Basement

T2	20.03.18	AA	AC	Revised Tender Issue
T1	02.03.18	JH	AC	Tender Issue
Rev	Date	By	Eng	Amendments

Purpose of Issue **Tender** Scale at A1 **1 : 100**

Drng No **1444 / P080** Rev **T2**