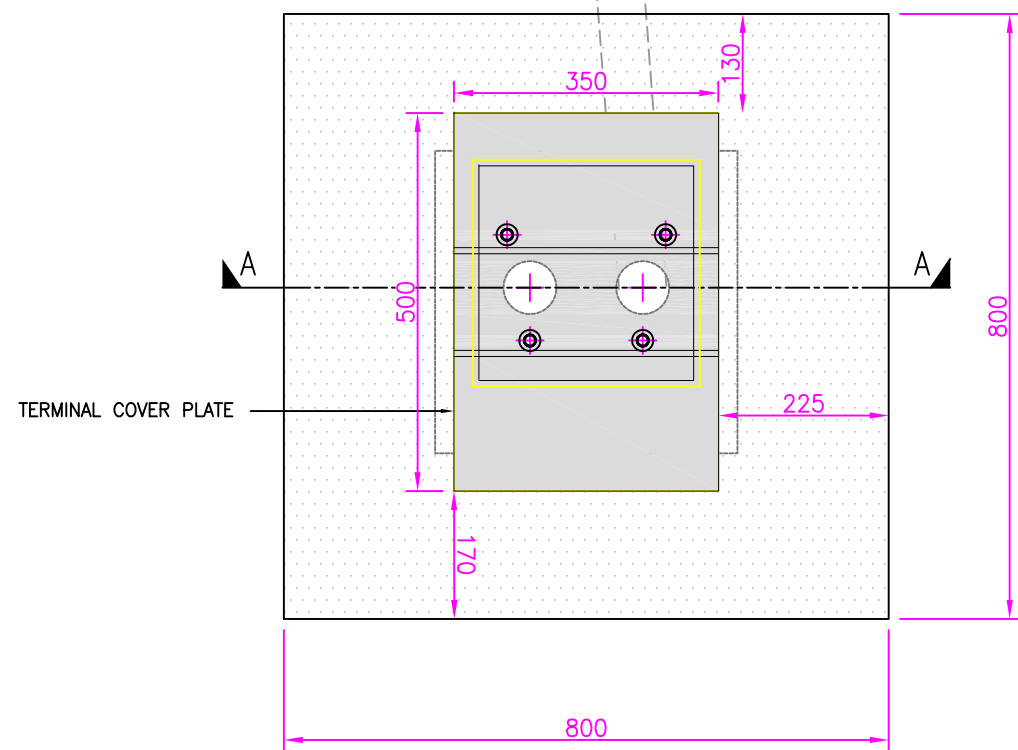
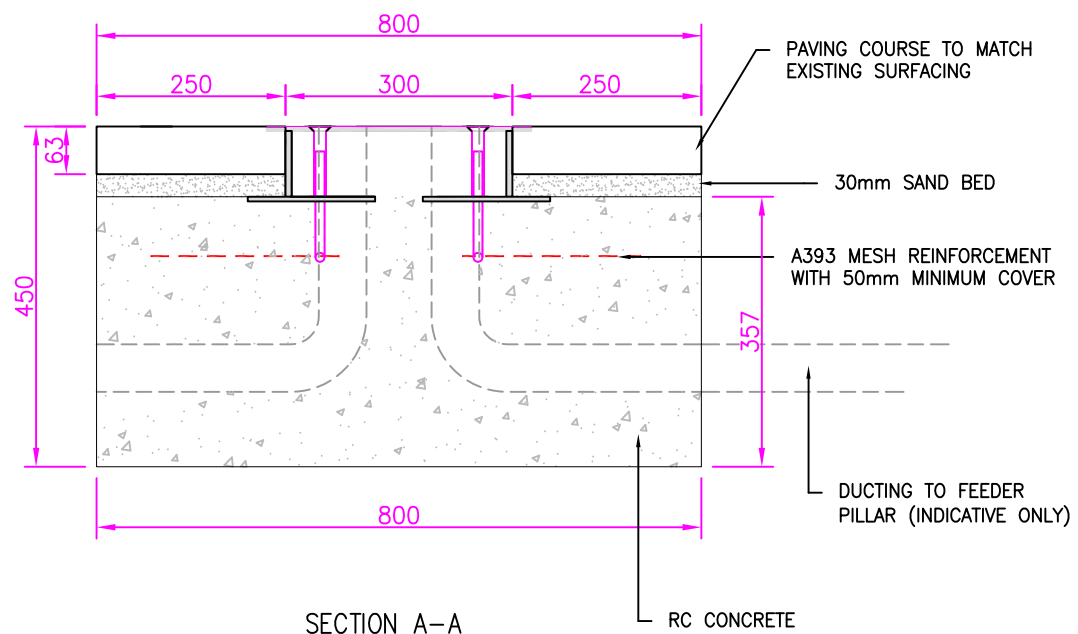


DUCTING TO FEEDER PILLAR (INDICATIVE ONLY)

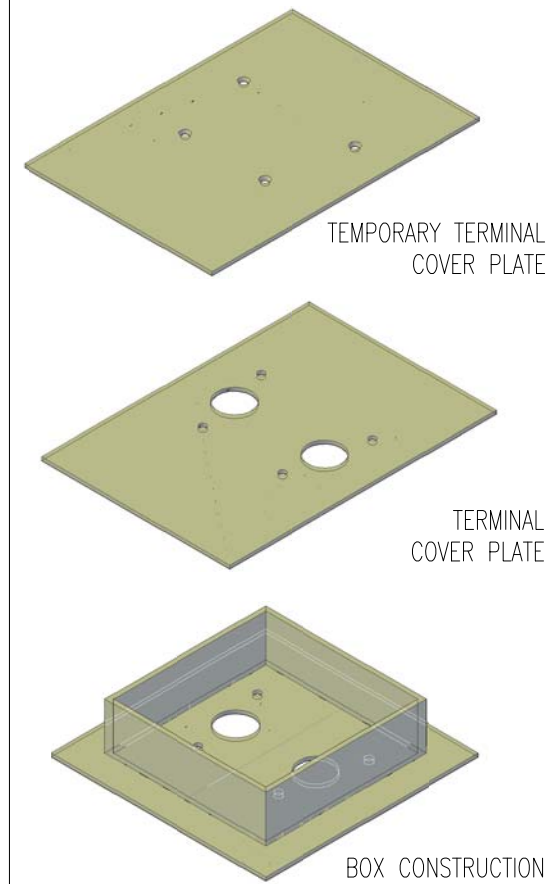


TERMINAL COVER PLATE



SECTION A-A

TERMINAL BOX CONSTRUCTION DETAILS (SCALE 1:10)



TEMPORARY TERMINAL COVER PLATE

TERMINAL COVER PLATE

BOX CONSTRUCTION



Roads Directorate
Traffic Design Engineering



230 Blackfriars Road
London
SE1 8NW



project	SANTANDER CYCLES
drawing title	Standard Linear Foundation Footway

borough	-
site no.	-
date	22/10/12
scale	1:10 @ A3
drn	AH
chk	DP
app	AS
Dwg N°	TDE-FW-T-PL
status	FOR INFORMATION

Rev	Date	Description	Drn	Chk	App
A	07/05/15	ADDRESS AND LOGO CHANGED	CEP	JJS	DR