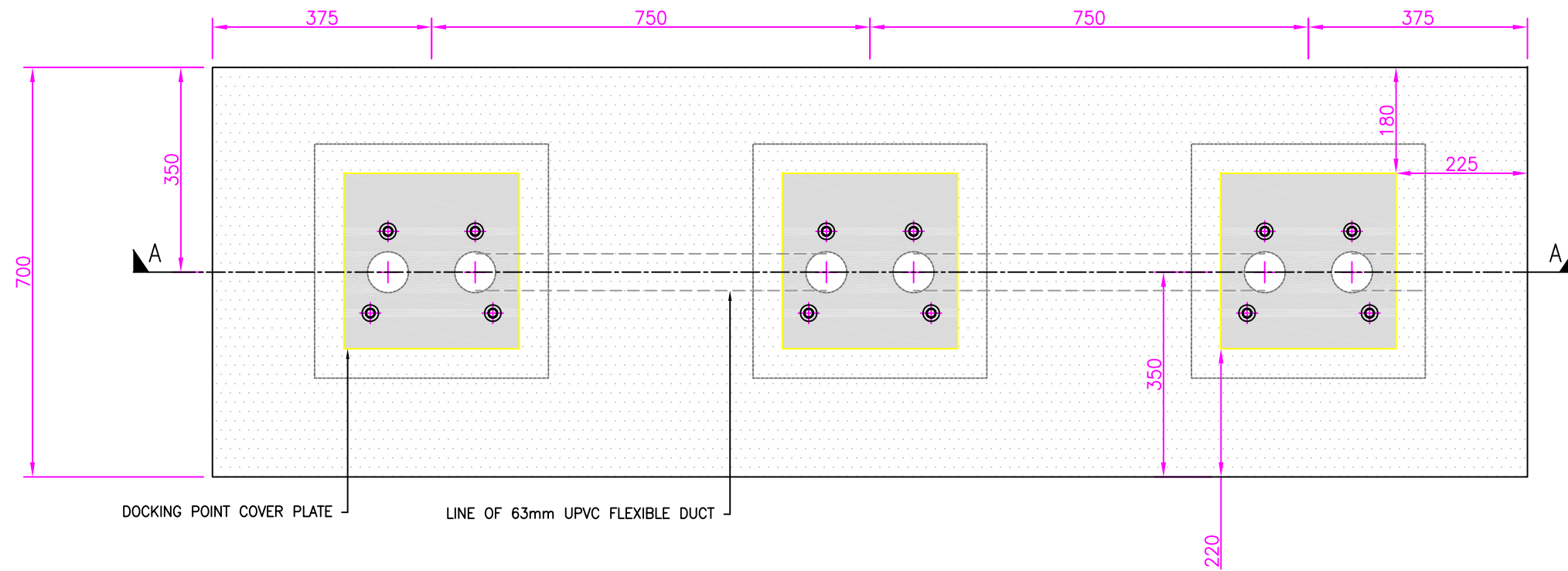
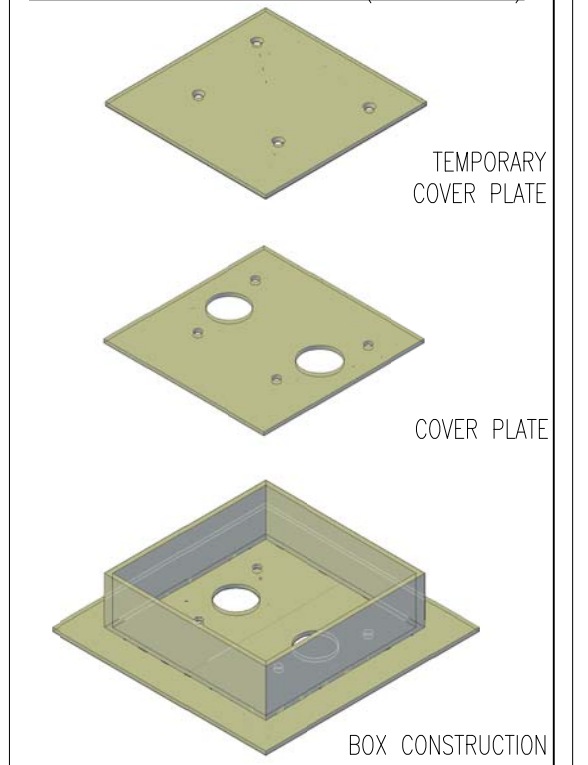
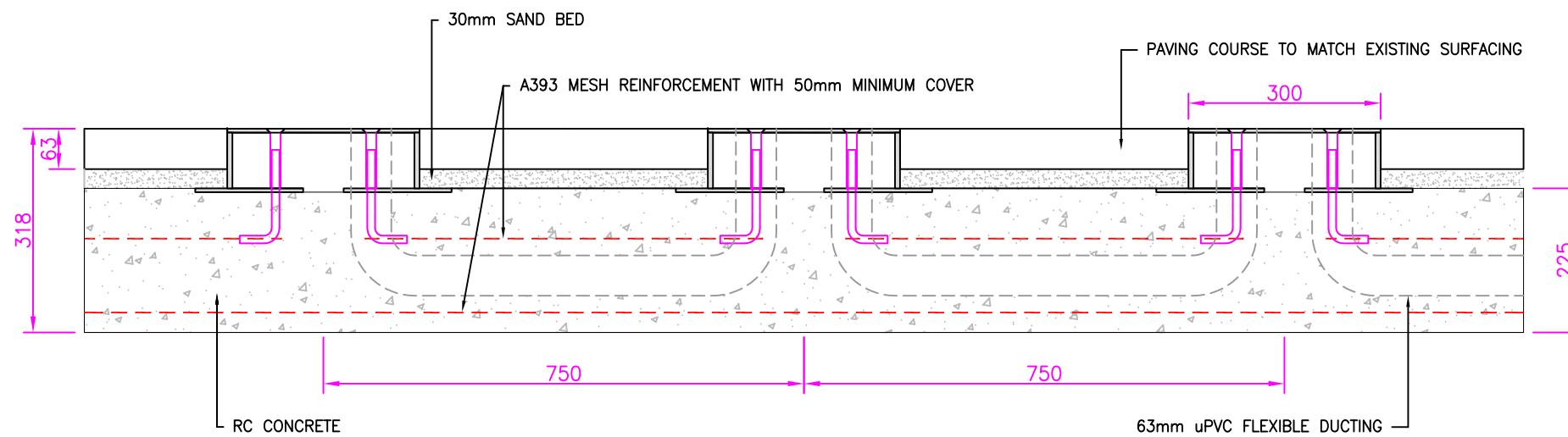


DOCKING POINT BOX
CONSTRUCTION DETAILS – (SCALE 1:10)



SECTION A-A



Roads Directorate
Traffic Design Engineering



230 Blackfriars Road
London
SE1 8NW



project
SANTANDER CYCLES

drawing title
Standard Linear Foundation
Footway

borough	-				
site no.	-				
date	scale	drn	chk	app	
22/10/12	1:10 @ A3	AH	DP	AS	
Dwg N°	TDE-FW-01-PL				rev
status	FOR INFORMATION				A

Rev	Date	Description	Drn	Chk	App
A	07/05/15	ADDRESS AND LOGO CHANGED	CEP	JJS	DR

© Crown copyright and database rights 2011 Ordnance Survey 100026971