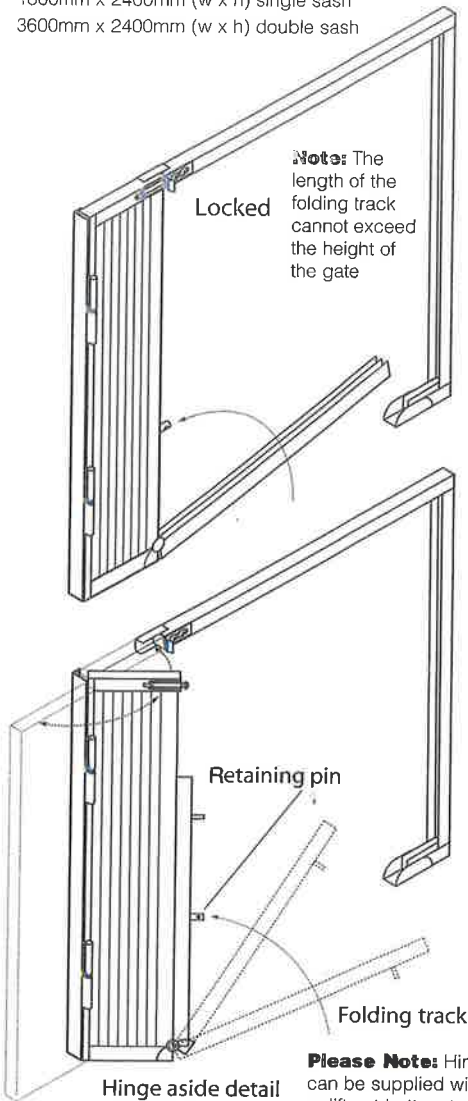


HINGE ASIDE OPTION DETAIL SecuroGuard 1000 Only

Maximum size for hinge aside
 1800mm x 2400mm (w x h) single sash
 3600mm x 2400mm (w x h) double sash



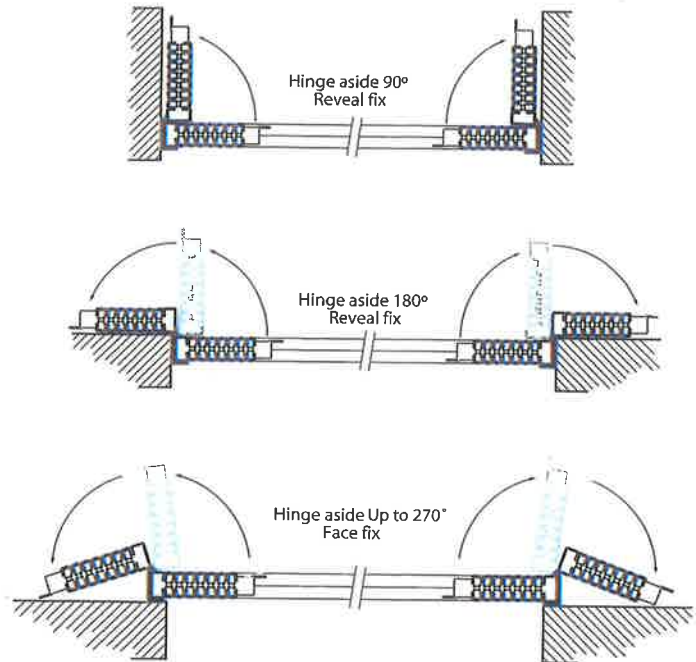
'S' Lattice Option



Note: Folding tracks with a length of 600mm or more are supplied with a retaining pin as standard - see below for details

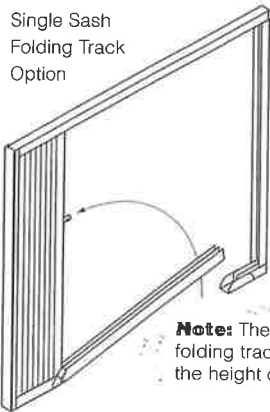
Please Note: Hinge aside gates can be supplied with either a folding or lift out bottom track but cannot be supplied with a fixed bottom track.

option (A).

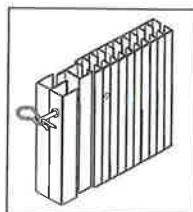


FOLDING TRACK AND REMOVABLE TRACK OPTION DETAILS

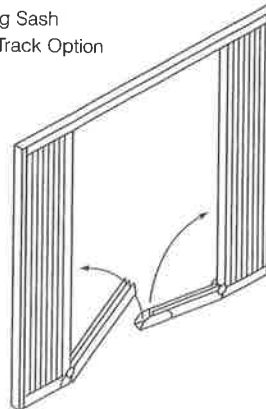
Single Sash Folding Track Option



Note: Folding tracks with a length of 600mm or more are supplied with a retaining pin as standard. This is located between 488mm and 568mm from the ground regardless of track length. **The retaining pin projects 60mm beyond the lock post.**



Bi-parting Sash Folding Track Option



Lift Out Bottom Track Option

