

Notes

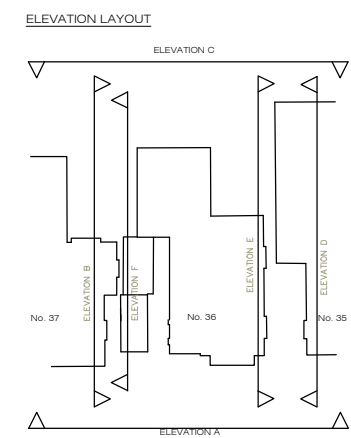
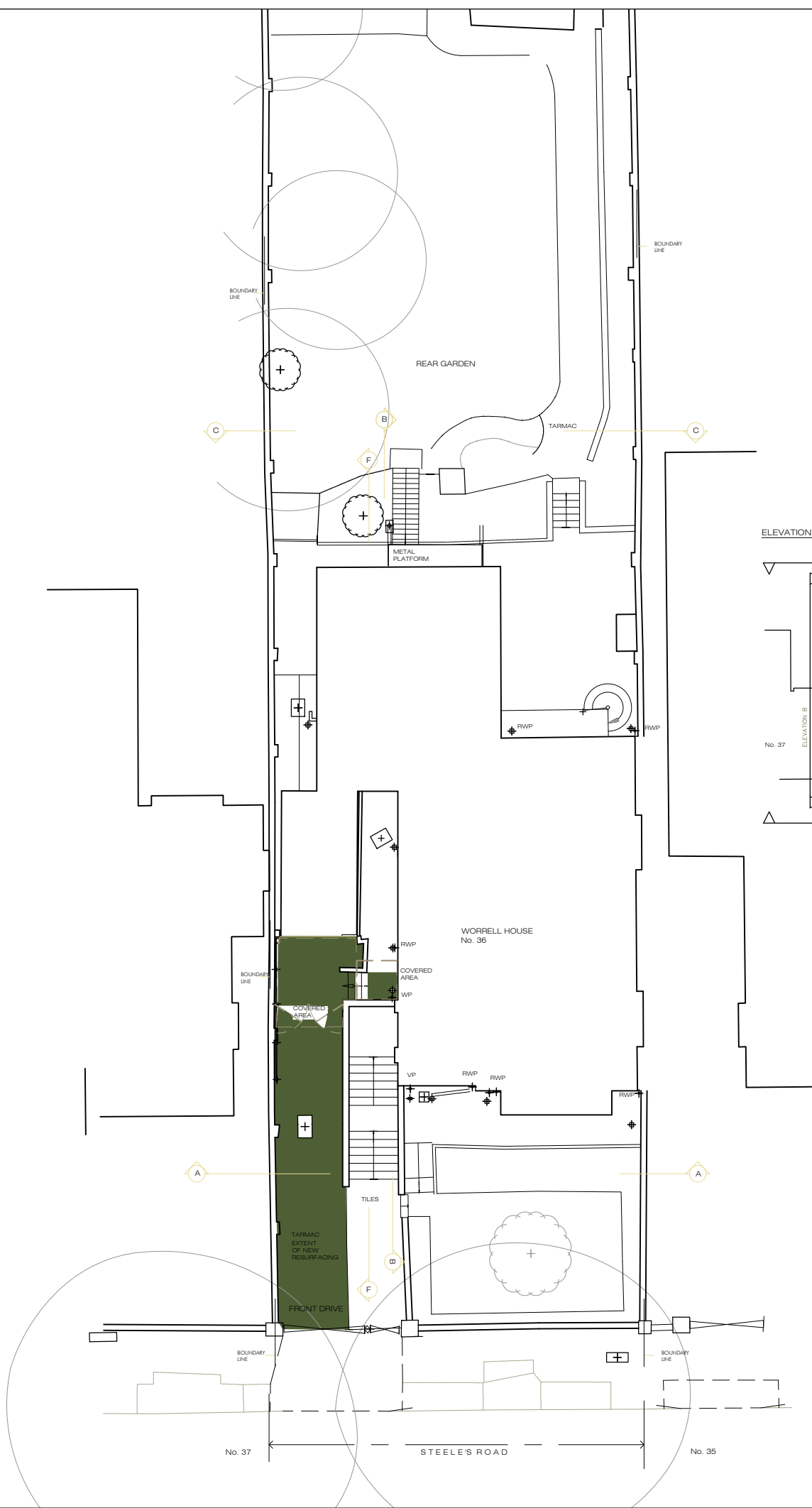
These drawings are strictly copyright and are not to be used, printed or copied in any form unless expressly permitted by ASB Architects. Any scale indicated on the drawing is only correct provided the drawing is printed at the original 'Sheet Size' field. This is typically A1 or A3, printed without reduction, @ 100%

This drawing may include information shown in colour as indicated by the "Printing" field. If the drawing is received incorrectly please refer to the sender or Architects.

Do not scale from these drawings. Refer to figured dimensions only and, where these are missing or cannot be inferred from the given dimensions, refer to the Architect for instruction.

Inform the Architect as soon as possible of any discrepancies found on site.

This drawing is to be read in conjunction with the structural engineers' drawings, all other layout and detail drawings together with the Schedule of Works and Specification.



REVISION

- A - 19th NOVEMBER 2015  
DRAWING AMENDED
- B - 27th JANUARY 2016  
DRAWING AMENDED
- C - 17th FEBRUARY 2016  
DRAWING AMENDED
- D - 28th JUNE 2018  
DRAWING AMENDED

**PLANNING SET**  
 Date : 28 JUNE 2018

REVISION

Rev.	Date	Notes

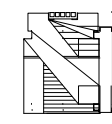
## ASB ARCHITECTS

215 West End Lane      West Hampstead  
 London NW6 1XJ      T: 020 7431 5221    F:  
 02074315114      E: amos@asbarchitects.com

Project    **Kitchen Refurbishment The Worrell House**  
                  **36 Steele's Road, London NW3 4**

Drawing    **SITE PLAN**

Dwg status	-	Date ©	<b>JUNE 2018</b>
Project Ref	<b>253/ A1</b>	Printing	-
SCALE	<b>1: 200</b>	Sheet size	<b>A1</b>



Drg No	Rev.
<b>39</b>	<b>D</b>

**PROPOSED PLAN**  
**SITE PLAN**  
 0 500 1000 2000 mm