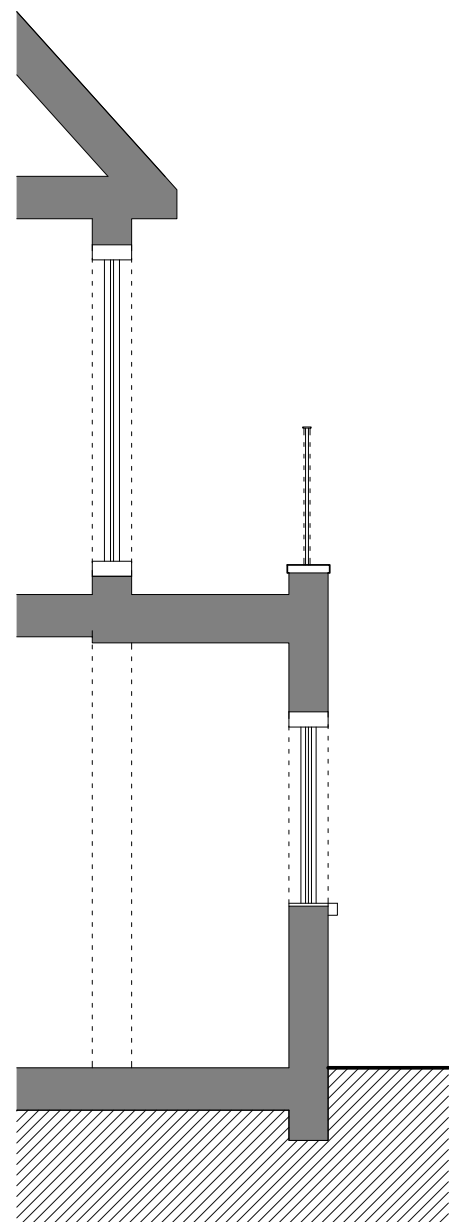
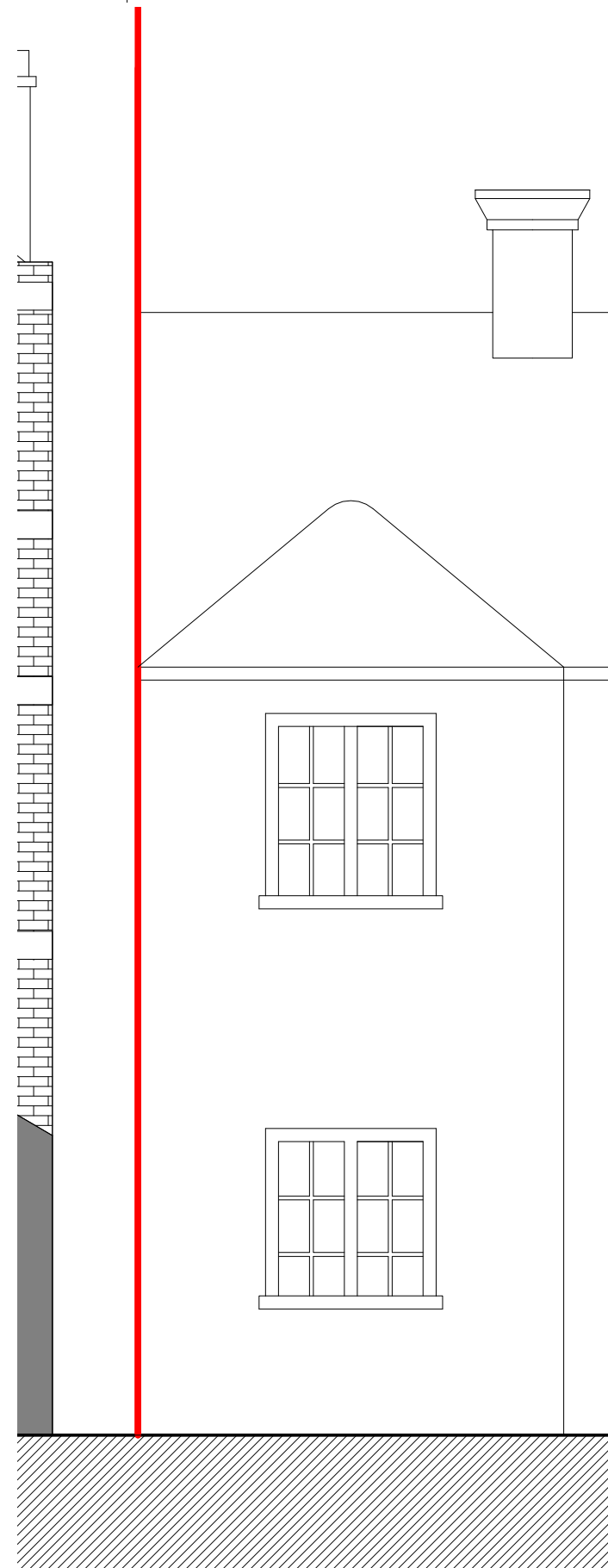


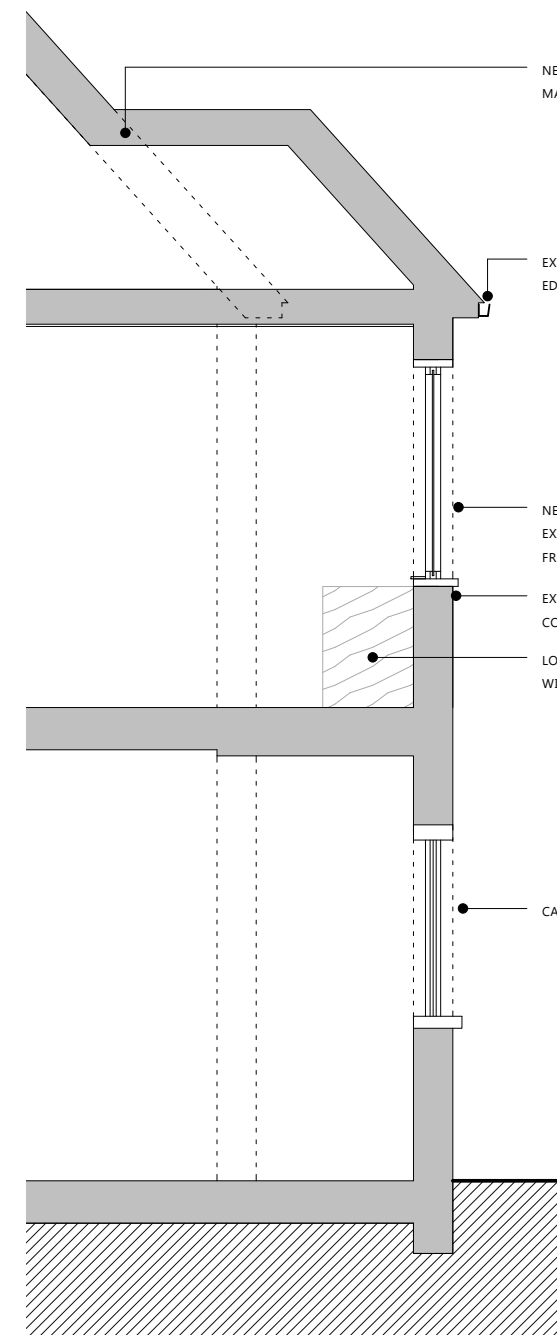
EXISTING ELEVATION 1:50



EXISTING SECTION 1:50

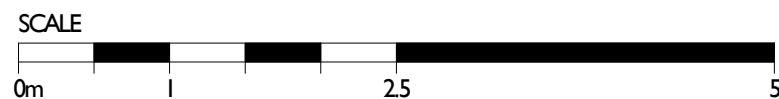


PROPOSED ELEVATION 1:50



PROPOSED SECTION 1:50

- NEW ROOF PITCH TO CONNECT AND MATCH EXISTING ROOF FINISH
- EXTENSION PARAPET TO ALIGN WITH THE EDGE OF THE EXISTING ROOF'S EAVES.
- NEW CASEMENT WINDOW TO MATCH EXISTING WINDOWS. LEVEL AT 800MM FROM FFL.
- EXTERNAL WALL TO BE RENDERED. COLOUR TO MATCH EXISTING RENDER.
- LOW LEVEL STORAGE BELOW CASEMENT WINDOW.
- CASEMENT WINDOW AT GROUND LEVEL



	Drawing Title		
	EXISTING & PROPOSED SECTIONS		
Job Title 72 LAWN ROAD NM3 2XB	job no.	drawing no.	rev
	18/23	03102	
scale 1:50	date	check by	appr. by
	22.06.18	DM	MIDA