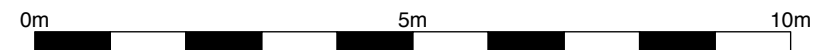
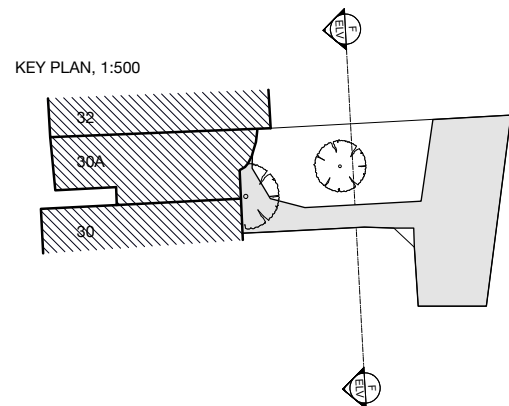


NOTE:
 DO NOT SCALE OFF THIS DRAWING
 CONTRACTOR TO VERIFY ALL DIMENSIONS ON SITE
 CROSS REFER TO ALL RELEVANT SPECIFICATIONS, SCHEDULES,
 DETAILS AND CONSULTANTS DRAWINGS
 THIS DRAWING IS BASED ON SURVEY INFORMATION BY OTHERS



REVISIONS				DRAWING TITLE		
A	Additional labels	SD	11.06.18	30A Parkhill Road, NW3 2YP Proposed Garden Extension		
				Proposed Elevation F		
				Scale 1:100 @ A3	No. 1604_P07A	
No.	Description	By	Date	Drawn SD	Checked RN	Date 23.03.17

