

## OUTSIDE ELEVATIONS

### FIXING PROCEDURE FOR MW40 WINDOWS:

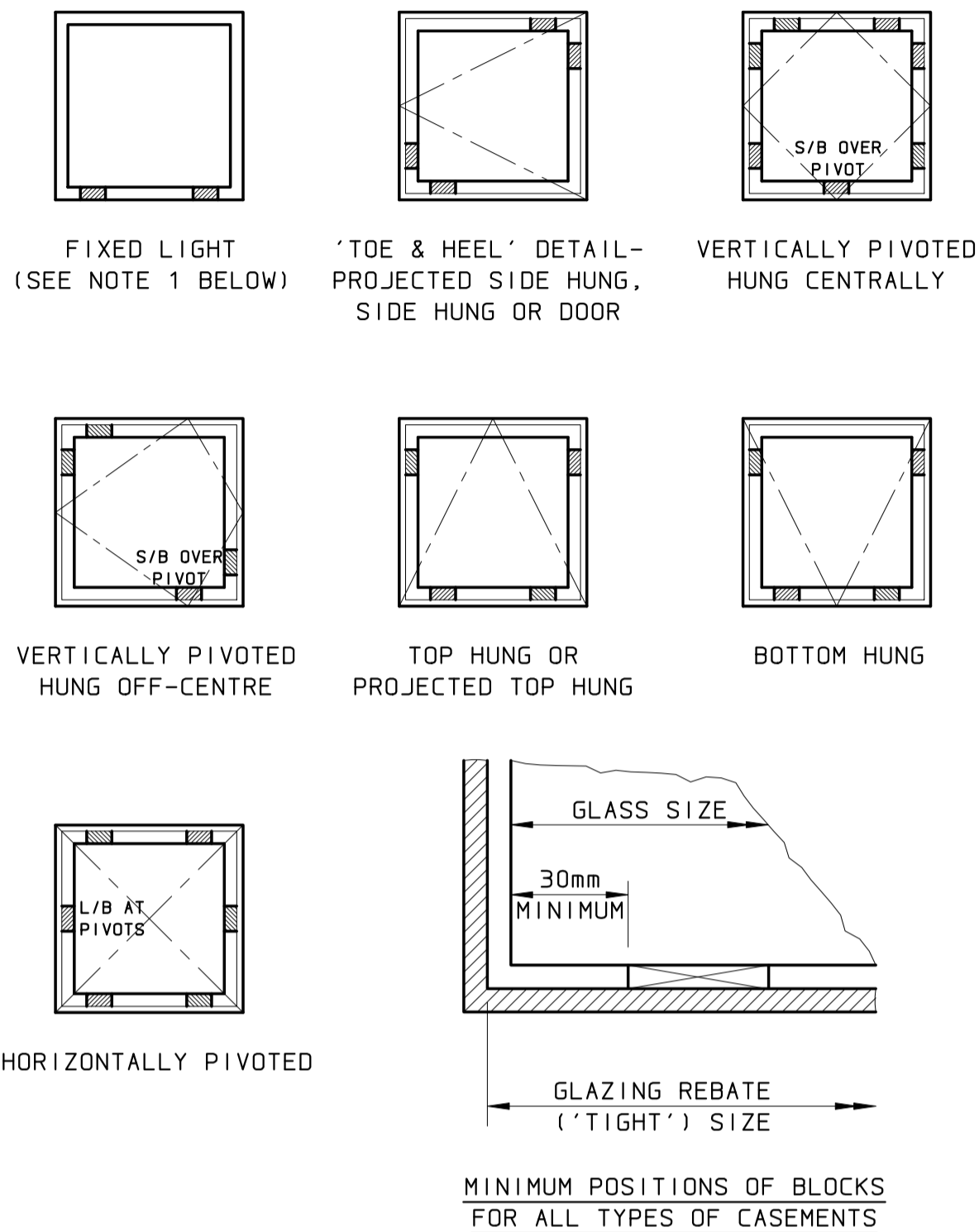
- WINDOW FRAMES SHOULD BE REMOVED FROM THEIR CRATES AND CHECKED OFF AGAINST THE PACKING OR PARTS LIST BEFORE THEY ARE CAREFULLY STACKED ON WOODEN BATONS WITH PACKING SUCH AS CARDBOARD BETWEEN FRAMES. IF THE FRAMES ARE NOT TO BE STORED UNDER COVER THEY SHOULD BE COVERED WITH WATERPROOF SHEETING.
- SOME ANCILLARY COMPONENTS, SUCH AS DOOR HANDLES AND FIXINGS ETC ARE PACKED IN POLYTHENE BAGS OR CARDBOARD BOXES. CRATES SHOULD BE CHECKED TO ENSURE EVERYTHING HAS BEEN REMOVED BEFORE DISPOSAL.
- BEFORE COMMENCING INSTALLATION, OPENINGS SHOULD BE CHECKED TO ENSURE THEY ARE THE CORRECT SIZE. ANY COUPLED ASSEMBLIES SHOULD BE SET OUT, CHECKED FOR SQUARENESS & OPERATION AND THAT THE FITTINGS OPERATE CORRECTLY.
- WHERE PRESSED METAL ITEMS ARE SPECIFIED, THESE MUST BE CENTRALISED IN THE OPENING AND CHECKED FOR LINE AND LEVEL BEFORE FIXING.
- WHEN FIXING COUPLED ASSEMBLIES, MULLION BAR POSITIONS MUST BE SET OUT PRIOR TO THE INSTALLATION OF THE WINDOW FRAMES. THIS ENSURES ANY VARIATION BETWEEN WINDOW UNIT SIZE AND THE OPENING SIZE IS EQUALISED. POSITION MULLIONS ENSURING THEY ARE PLUMB IN BOTH PLANES.
- APPLY UNIVERSAL BEDDING COMPOUND TO THE PERIMETER OF FRAMES AND TO THE COUPLING BARS- ALTERNATIVELY, IF NO BEDDING COMPOUND IS SPECIFIED ENSURE ALL PERIMETER HOLES IN THE FRAME ARE SEALED WITH SILICONE, WITH PARTICULAR REGARD TO FIXED LIGHTS & THE HEAD BARS OF SASH FRAMES. NYLON WASHERS ARE USED AT THE SILL FIXINGS OF OPENING VENTS. ALSO ENSURE GLAZING BARS ARE SEALED AT FENESTRA JOINTS AND AT THEIR JUNCTION WITH THE FRAME PERIMETER. SEE DETAILS FOR SPECIFIC REQUIREMENTS.  
INSERT WINDOWS BETWEEN STRUCTURE AND MULLIONS, ENSURING HOLES IN THE WINDOW FRAME ALIGN WITH THOSE IN THE MULLION (WHERE APPLICABLE). SHIM TIGHT. CHECK FRAMES ARE POSITIONED FOR LINE LEVEL & PLUMB BEFORE BOLTING FRAMES AND MULLIONS LOOSELY TOGETHER. SECURE FRAMES TO STRUCTURE - BEFORE FULLY TIGHTENING SCREWS, MAKE FINAL CHECK FOR LINE LEVEL & PLUMB.
- 'HOLE IN THE WALL' WINDOWS SHOULD BE CENTRALISED IN THE OPENING. SHIM AS REQUIRED TO ENSURE WINDOW IS PLUMB, LEVEL AND SQUARE AND SECURED TO THE STRUCTURE. EMBEDMENT OF SCREWS MUST BE A MINIMUM OF 25mm.  
DIFFERENT FIXINGS ARE USED FOR DIFFERING STRUCTURAL MATERIALS - WOODSCREWS INTO TIMBER, PLUGS AND WOODSCREWS INTO MASONRY/BRICKWORK, SELF TAPPING SCREWS INTO PRESSINGS AND MACHINE SCREWS INTO SOLID METAL. REFER TO INDIVIDUAL FIXING DETAILS FOR PRECISE SCREW REQUIREMENTS.  
TO ENSURE THE PRODUCT CONFORMS TO THE STRUCTURAL REQUIREMENTS OF THE SPECIFICATION, SHIM THICKNESS SHOULD NOT EXCEED 1.5 x FIXING DIAMETER. WHERE GAPS ARE IN EXCESS OF THIS, SOLID BLOCKING MUST BE USED.
- WHERE GLAZING BARS OCCUR IN ADJACENT FRAMES IT IS ESSENTIAL THAT THESE ARE CHECKED TO ENSURE THEY LINE THROUGH.
- PRIOR TO GLAZING, MAKE SURE THAT THE GLASS IS SQUARE AND FITS PROPERLY. ENSURE ALL SWARF AND DIRT IS REMOVED FROM THE GLAZING AREA BY WIPING WITH A CLEAN RAG. NOTE THAT GLAZING BEADS ARE ATTACHED TO THEIR PARTICULAR PANE AND ARE NOT INTERCHANGEABLE.
- REFER TO GLAZING DETAIL AT RIGHT. APPLY GLAZING TAPE TO HEAD AND SILL FIRST, TAPE AT JAMBS SHOULD BUTT BETWEEN. SEAL JOINT WITH COMPATIBLE SEALANT. ALL GLASS SHOULD BE BLOCKED IN ACCORDANCE WITH BS6262 - SEE ILLUSTRATION. POSITION GLASS CENTRALLY IN FRAME AND PRESS FIRMLY ONTO THE GLAZING TAPE. IT IS ESSENTIAL TO 'TOE AND HEEL' ALL SIDE HINGED WINDOWS AND DOORS. APPLY STUDS FOR SNAP-ON BEADS.
- APPLY HEAD AND SILL BEADS, ENSURING THEY ARE CENTRALISED IN THE REBATE. SHORT LENGTHS OF VISION STRIP CAN BE USED TO LOCK IN POSITION UNTIL CONTINUOUS LENGTHS ARE INSERTED. APPLY JAMB BEADS, CENTRALISING BETWEEN HORIZONTALS. ANY GAPS AT THE CORNERS SHOULD BE EQUALISED AROUND THE FRAME, WITH THE MAXIMUM ALLOWABLE GAP SPECIFIED IN BS 6510:2005 OF 3mm.
- APPLY VISION STRIP - IF TIGHT, COAT IN SOAPY WATER.
- IF SPECIFIED ON THE RELEVANT GLAZING DETAIL, APPLY SILICONE CAPPING.
- PERIMETER AND COUPLING POINTING CAN NOW BE CARRIED OUT. CLEAN AREAS TO BE SEALED FIRST AND APPLY PRIMER WHERE NECESSARY - CONSULT SEALANT MANUFACTURER.
- LOOSE FITTINGS, IE DOOR HANDLES, WEATHERBARS ETC. CAN NOW BE FITTED.
- REMOVE LABELS FROM GLASS AND CLEAN DOWN.

MARCH 2007

### IMPORTANT:

THESE DRAWINGS COVER ONLY THE WORK IN CRITTALL WINDOWS LIMITED CONTRACT. WE DO NOT ASSUME OR ACCEPT ANY RESPONSIBILITY FOR MEASUREMENTS AFFECTING THE WORK OF OTHER CONTRACTORS.  
DETAILS OF MASONRY, STRUCTURAL STEEL AND OTHER MATERIALS RELATED TO OUR WORK BUT NOT FURNISHED BY CRITTALL WINDOWS LIMITED HAVE BEEN INDICATED ON OUR SHOP DRAWINGS TO THE BEST OF OUR ABILITY AND REFLECT OUR INTERPRETATION OF THE ARCHITECTURAL DRAWINGS AND OUR CONTRACT REQUIREMENTS.  
TO ENSURE PROPER FITTING AND COORDINATION OF OUR WORK WITH OTHER TRADES, THESE DRAWINGS MUST BE CHECKED BY THE CONTRACTOR AND/OR ARCHITECT AGAINST INFORMATION PROVIDED BY SUPPLIERS OF OTHER MATERIALS THAT RELATE TO OUR WORK, BUT WHICH ARE NOT FURNISHED BY CRITTALL WINDOWS LIMITED.

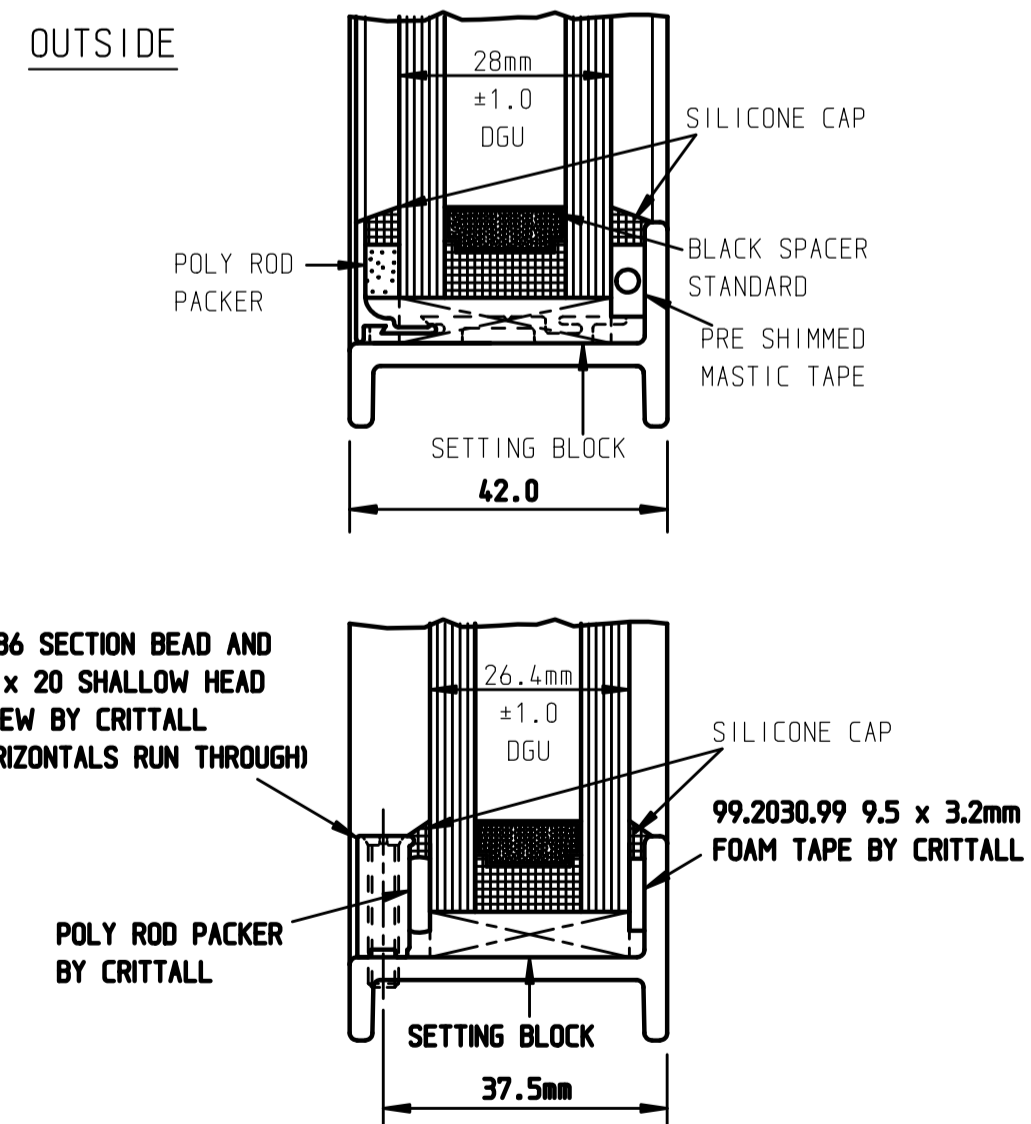
### RECOMMENDED POSITIONS OF SETTING & LOCATION BLOCKS FOR THE SITE GLAZING OF SOME TYPES OF SURROUNDS



NOTE 1. SETTING BLOCKS FOR FIXED LIGHTS SHOULD PREFERABLY BE AT THE QUARTER POINTS, BUT CAN BE POSITIONED AS SHOWN ABOVE IF NECESSARY.

NOTE 2. FOR DESIGNS WHERE THE ACTUAL POSITIONS ARE CRITICAL, BLOCK POSITIONS WILL BE STATED ON THE RELEVANT DRAWINGS.

### MW40 28mm AND 26.4mm GLAZING DETAIL (1 : 1 SCALE)



- ARRANGE SETTING BLOCKS IN ACCORDANCE WITH BS 6262
- APPLY FOAM TAPE TO THE GLAZING NIB AS PER STANDARD GLAZING INSTRUCTIONS
- POSITION THE GLASS UNIT ONTO THE SETTING BLOCKS AND PRESS FIRMLY ONTO THE GLAZING TAPE
- ARRANGE LOCATION BLOCKS IN ACCORDANCE WITH BS 6262
- SNAP THE BEAD OVER THE STUDS AND SILICONE CAP INSIDE AND OUT IN THE USUAL WAY. TIGHT BEADS ARE TO BE FILED TO FIT ON SITE, USE SPACERS AT BEAD JUNCTIONS TO ENSURE BEAD CORNERS ARE FLUSH

### SPECIFICATION:

SECTION- ROLLED STEEL MW40 SECTION FIXED LIGHTS AND VENTS, AND COLD FORMED DOORS, ALL AS SHOWN.

FINISH- HOT-DIP GALVANISED & POLYESTER POWDER COATED RAL 9004, MATT SIGNAL BLACK (GLOSS LEVEL 30% +/-5%)

GLASS/GLAZING- GLAZING BY CWL TO BE 28mm, 28.4mm & 30.8mm DGU COMPRISING:

28mm TOUGHENED GLASS (Rw33dB) - DENOTED ON ELEVATIONS AS GL1  
6mm GUARDIAN SNX 60/28 CLEAR TOUGHENED & HST OUTER PANE  
16mm ARGON FILLED CAVITY WITH WARM EDGE SPACER  
6mm CLEAR TOUGHENED & HEAT SOAK TESTED (HST) INNER PANE

28.4mm LAMINATED GLASS (Rw35dB) - DENOTED ON ELEVATIONS AS GL2  
6mm GUARDIAN SNX 60/28 CLEAR TOUGHENED & HST OUTER PANE  
16mm ARGON FILLED CAVITY WITH WARM EDGE SPACER  
6.4mm CLEAR LAMINATE INNER PANE

30.8mm LAMINATED GLASS (Rw38dB) - DENOTED ON ELEVATIONS AS GL3  
6mm GUARDIAN SNX 60/28 CLEAR TOUGHENED & HST OUTER PANE  
16mm ARGON FILLED CAVITY WITH WARM EDGE SPACER  
8.8mm CLEAR LAMINATE INNER PANE

GL1-3 & 5 DG UNITS TO HAVE 26mm 'FENESTRA' COSMETIC GLAZING BARS APPLIED TO SURFACES 1 AND 4 WITH CAVITY BEING 26mm SIDE 'DUPEX' BAR  
FINISH TO MATCH FRAME

28.4mm INNER TOUGHENED GLASS - DENOTED ON ELEVATIONS AS GL4  
6mm GUARDIAN SNX 60/28 CLEAR TOUGHENED & HST OUTER PANE  
16mm ARGON FILLED CAVITY WITH WARM EDGE SPACER  
6MM TOUGHENED SCREEN PRINT - WITH 2 COAT PAINT ON FACE 4  
RAL 9010 PURE WHITE

GL4 DG UNITS TO HAVE 26mm 'FENESTRA' COSMETIC GLAZING BARS APPLIED TO SURFACE 1 ONLY WITH CAVITY BEING 26mm SIDE 'DUPEX' BAR  
FINISH TO MATCH FRAME

28.4mm OBSCURE GLASS - DENOTED ON ELEVATIONS AS GL5  
6.4mm DIFFUSION CONTROLLED LOW E ARTIC SNOW 0009 INTERLAYER  
16mm ARGON FILLED CAVITY WITH WARM EDGE SPACER  
6mm CLIMAGUARD 1.0 LOW E CLEAR TOUGHENED & HST INNER PANE

CENTRE PANE U-VALUE 1.0W/m<sup>2</sup> K

FITTINGS- TOP HUNG PROJECTING OPEN OUT (UNDER 1800)  
FITTED WITH FRICTION ARMS ('SCISSOR' HINGES) 'CLASSIC' RANGE NON-LOCKING LEVER HANDLE IN SATIN CHROME FINISH

TOP HUNG PROJECTING OPEN OUT (OVER 1800)  
FITTED WITH FRICTION ARMS ('SCISSOR' HINGES) THUMB TURNS IN SATIN CHROME FINISH 'CLASSIC' RANGE NON-LOCKING LEVER HANDLE IN SATIN CHROME FINISH

JANSEN EC050 COLD FORM TUBULAR DOUBLE LEAF DOORS  
HUNG ON 3RD SCREW ON ADJUSTABLE HINGES, AR3500 SURFACE MOUNTED OVERHEAD DOOR CLOSER IN BLACK FINISH, THUMB TURNS IN SATIN CHROME FINISH, IMPERIAL E7008 NIGHT LATCH LOCK, EURO PROFILE CYLINDER WITH TURN, 1100mm LONG x 28mm DIA BRUSHED STAINLESS STEEL BACK TO BACK CRANKED PULL HANDLES, FAIL SECURE 12V DC ELECTRIC STRIKE EFFEFF 17-10602E41 (FOR LATCH, ENTRY CONTROL AND WIRING TO STRIKE NOT INCLUDED), EURO PROFILE CYLINDER WITH TURN, 1100mm x 28mm DIA. BRUSHED STAINLESS STEEL CRANKED BACK-TO-BACK PULL HANDLES, FINGER TRAPS

MW40 OUTWARD OPENING SINGLE DOORS  
HUNG ON 4ND. SELF-ALIGNING HINGES, AR3500 SURFACE MOUNTED OVERHEAD DOOR CLOSER IN BLACK FINISH, THUMB TURNS IN SATIN CHROME FINISH, IMPERIAL E7008 NIGHT LATCH LOCK, EURO PROFILE CYLINDER WITH TURN, 1100mm LONG x 28mm DIA BRUSHED STAINLESS STEEL BACK TO BACK CRANKED PULL HANDLES, FAIL SECURE 12V DC ELECTRIC STRIKE EFFEFF 17-10602E41 (FOR LATCH, ENTRY CONTROL AND WIRING TO STRIKE NOT INCLUDED), FULL REBATED THRESHOLD

MW40 OUTWARD OPENING DOUBLE LEAF DOORS (PENTHOUSE):  
4X WELD ON SELF-ALIGNING HINGES PER LEAF, FRICTION TOP ARM TO BOTH LEAVES, EXIDOR 293 PUSH PAD SINGLE PANIC BOLT TO SLAVE LEAF IN SILVER FINISH, FRANK ALLART FSS255 LEVER HANDLES IN SATIN CHROME FINISH TO MASTER LEAF, THUMB TURNS IN SATIN CHROME FINISH, MORTICE LOCK WITH EURO-PROFILE CYLINDER, FULL REBATED THRESHOLD

MW40 OUTWARD OPENING SIDE HUNG WINDOWS  
HUNG ON 4ND. SELF-ALIGNING HINGES, FINISH AS FRAMES, FRICTION TOP ARM, CLASSIC RANGE (B195/111) NON-LOCKING DUPEX HANDLE IN SATIN CHROME FINISH WITH NATURAL BRASS STRIKE PLATE, THUMB TURNS AT CILL.

FIXING- BY CRITTALL WINDOWS LIMITED

DESIGN LOAD- WINDOWS: 1200pa DOORS: 800pa MAX

POINTING (& COLOUR)- ARBOSIL 1096 (COLOUR TBA) BY CRITTALL WINDOWS LIMITED

STRUCTURAL OPENING SIZES SURVEYED BY CWL

CRITTALL WINDOWS Ltd TO: MANUFACTURE, DELIVER, FIX & GLAZE

VARIATIONS TO CONTRACT  
Final approval of this drawing by the specifier will be deemed to accept payment liability for any time and/or cost variation in accordance with the contract

'BI-METALLIC CORROSION'  
The content of this design has taken into consideration bi-metallic corrosion (Galvanic action) effects for the materials used therein and by following the advice given in PD 6484 : 1979, published by B.S.I.

SPECIFICATION			
* DETAILER'S SIGNATURE AUTHORIZES RELEASE FOR PRODUCTION/INSTALLATION			
Rev	REVISIONS TO ESTIMATE	Date	
C	GLASS AMENDED	12-12-2016	
B	NOTES AMENDED	01-12-2016	
A	NOTES AMENDED	22-02-2016	
Rev	REVISIONS TO DRAWING	Date	
TOLERANCES			
OUR PRICES ARE BASED ON OPENINGS FOR WINDOWS BEING SUFFICIENTLY ACCURATE IN SIZE, POSITION, SQUARENESS AND STRAIGHTNESS TO ENABLE WINDOWS TO BE FIXED WITH A MAXIMUM 6mm CLEARANCE BETWEEN WINDOWS. FIXING BRACKETS AND BUILDERS WORK			
LEGEND ON SPECIAL DETAILS			
	External pointing by CRITTALL/others		
	.....plugs by CRITTALL		
	Holes by General Contractor/CRITTALL		
	Polyurethane foam infill by CRITTALL		
	Polyurethane foam/waterproof cement infill NOT WITHIN CRITTALL SCOPE OF WORKS		
	Brickwork etc. to be flush pointed 12mm (1/2") forward of external face of windows		
	Detail Number		
	Drawing Number		
 CRITTALL® IS A REGISTERED TRADE MARK OF CRITTALL WINDOWS LTD			
Job Title	HERBAL HOUSE, 10 BACK HILL, LONDON, EC1R 5EN		
Contractor	McLAREN GROUP 100 KINGS ROAD, BRENTWOOD, CM14 4EA		
Architect	BUCKLEY GREY YEOMAN, STUDIO 4.04 THE TEA BUILDING, 56 SHOREDITCH HIGH STREET, LONDON E1 6JJ		
DRAWN	Steve Ranson	DATE	25/11/2015
Examined by		SCALES	N/A
EST./CONTRACT/DRWG. NO		Sht. No	ITEMS
9363G2B		S1	
Latest Amendment as Last Letter		A	B
Detail DD issue No.			
Detailed by		Date	Dist.
Finish		Fix Region	