

ELECTRICAL & IT RISER DOORS (FD60S FIRE RATED)

LOBBY DOORS (FD60S FIRE RATED)

LOBBY DOORS (FD30S FIRE RATED)



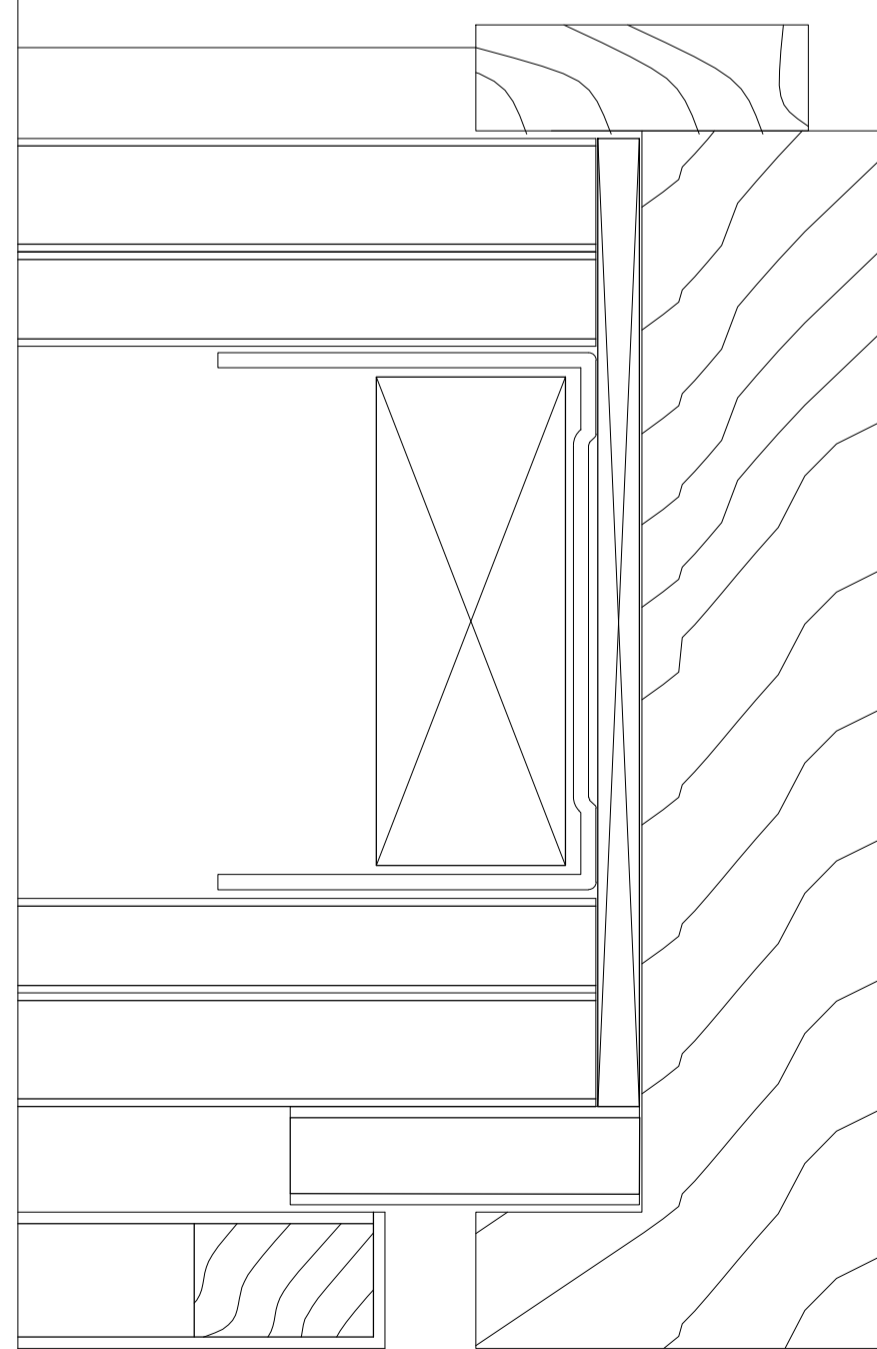
POWDER COATED DOUBLE GLAZED FRAMED OPTIMA REVOLUTION 100 SYSTEM. REFER TO SCHEDULE FOR COLOUR. 53mm DOUBLE GLAZED FRAMELESS DOOR LEAF. NON FIRE RATED. ACOUSTIC SEALS TO JAMB AND HEAD. AUTOMATIC DROP SEALS.

1 DOOR TYPE RISER
SCALE 1:20

2 DOOR TYPE SINGLE DOOR SET
SCALE 1:20

3 DOOR TYPE DOUBLE DOOR SET
SCALE 1:20

4 DOOR TYPE DOUBLE GGLAZED FRAMED DOOR
SCALE 1:20



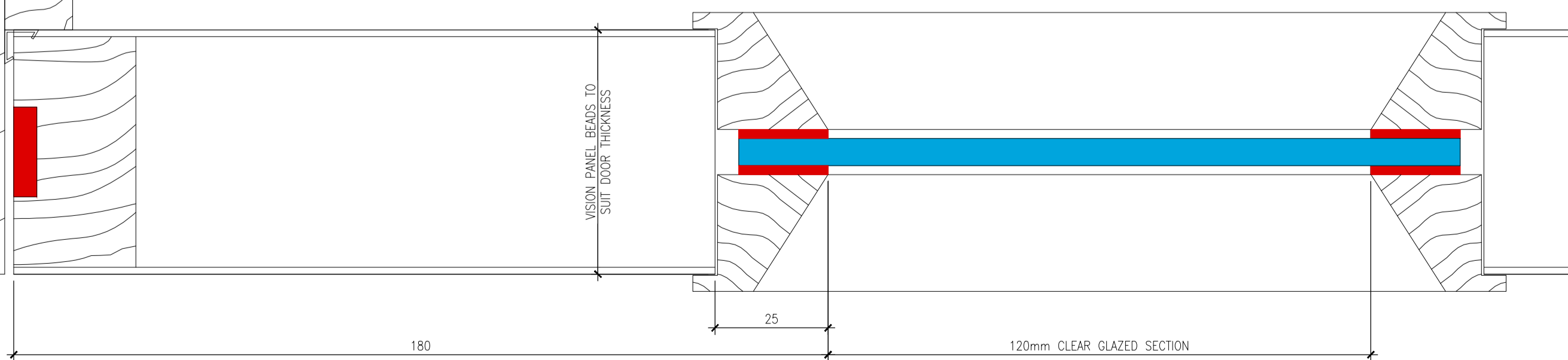
DOOR LEAF:
LAMINATED WITH OAK LIPPING TO MATCH.

DOOR FRAME:
SOLID OAK FRAME, SOLID OAK STOP AND ARCHITRAVES TO INTERNAL ROOM SIDE.

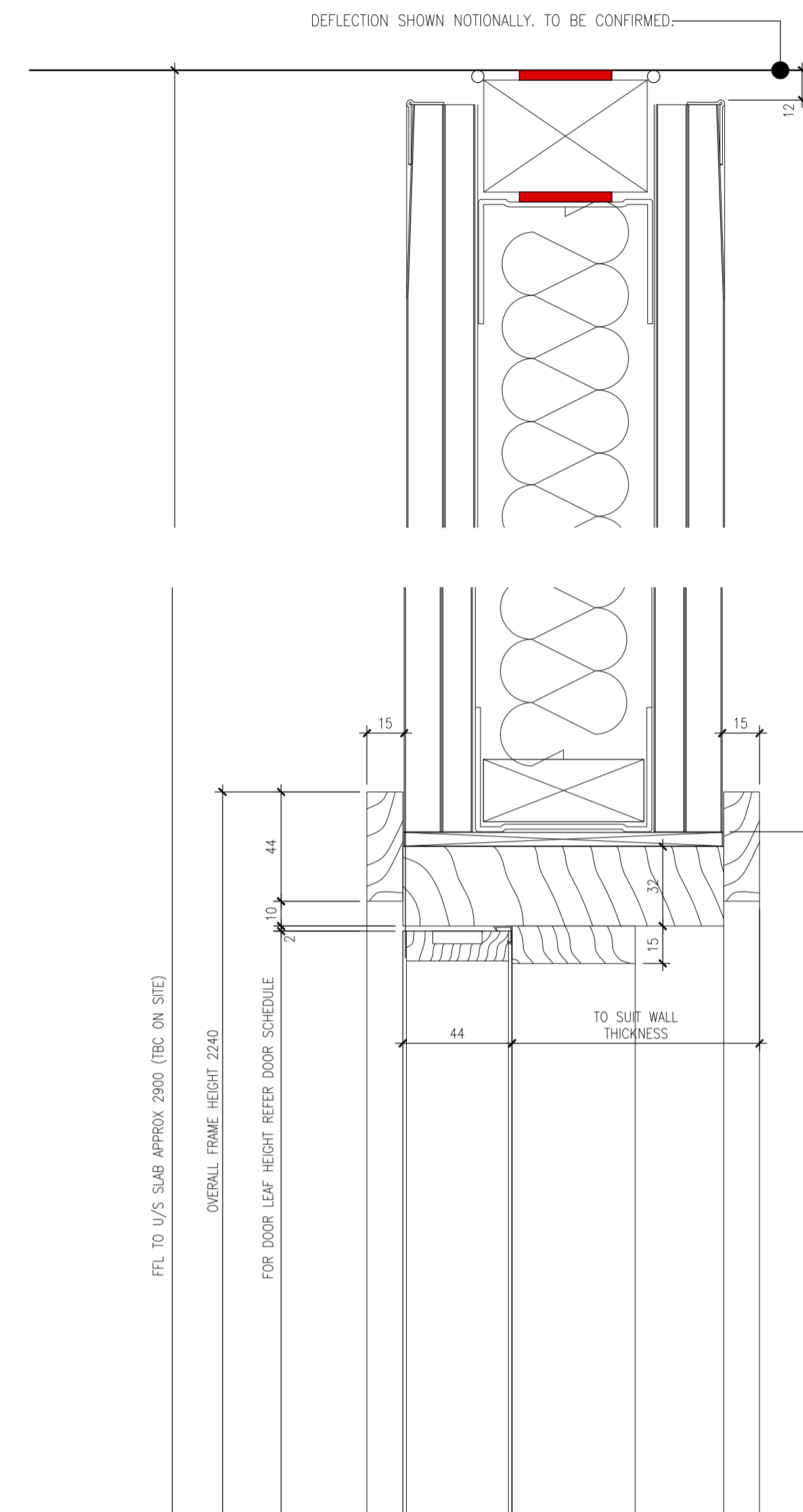
ALL DOORS TO BE FITTED WITH ACOUSTIC SEALS AND DROP SEALS TO SUIT ACOUSTIC RATING REFER TO SCHEDULE.

VISION PANEL BEADS CONSTRUCTED WITH SOLID OAK FIXING TO BE CONFIRMED BY SPECIALIST ALL TO SUIT DOOR FIRE RATING.

SPECIALIST CONTRACTOR TO CONFIRM REBATE DIMENSION FOR FRAME INTEGRITY AND TO COORDINATE WITH IRONMONGERY.



5 TYPICAL VISION PANEL DETAIL
SCALE 1:1



6 TYPICAL DOOR VERTICAL DETAIL
SCALE 1:2

GENERAL NOTES

THIS DRAWING IS THE COPYRIGHT OF MACE DESIGN. DO NOT SCALE THIS DRAWING. ALL DIMENSIONS TO BE CHECKED ON SITE BEFORE ANY WORKS PROCEED.

THE CONTRACTOR IS TO PROVIDE FULL SIZE SETTING OUT DRAWINGS BASED ON THE INFORMATION CONTAINED IN THIS DRAWING FOR THE DESIGNERS APPROVAL PRIOR TO COMMENCING MANUFACTURE.

THIS DRAWING IS ISSUED ON THE CONDITION THAT IT IS NOT REPRODUCED, RETAINED OR DISCLOSED TO ANY UNAUTHORISED PERSON EITHER WHOLLY OR IN PART WITHOUT THE WRITTEN CONSENT OF MACE DESIGN.

THIS DRAWING SHOULD BE READ IN CONJUNCTION WITH ALL RELATED DRAWINGS AND SPECIFICATIONS. ALL WORK IS TO BE CARRIED OUT IN ACCORDANCE WITH THE APPROPRIATE BUILDING REGULATIONS AND CODE OF PRACTICE WHERE SUCH EXIST AND GENERALLY TO CONFORM WITH GOOD BUILDING PRACTICE.



DESCRIPTION: LAMINATE FINISH. EXPOSED OAK HARDWOOD LIPPING. HARDWOOD FRAMES TO MATCH LIPPING. REFER TO JF-QP FRESH PRODUCT FORMICA. COLOUR: GRANITE F787. FIRE RATING: CLASS 0 FOR ALL CIRCULATION ROUTES IN COMMON AREAS. CLASS 1 FOR ROOMS (EXCLUDING SMALL ROOMS) AND CIRCULATION SPACES. CLASS 3 FOR ROOMS LESS THAN 30M2 IN AREA.



DESCRIPTION: OAK HARDWOOD TO DOOR LIPPING. GLAZING BEADS. GLAZING FRAMES. DOOR FRAMES. OAK VENEER WITH HARDWOOD LIPPING TO MATCH HARDWOOD ABOVE FOR MEDIA BOOTH BENCHES AND INHABITED JOINERY WALL BENCHES & BROWSPES. COLOUR: TO APPROVED SAMPLE. FIRE RATING: CLASS 0 FOR ALL CIRCULATION ROUTES IN COMMON AREAS. CLASS 1 FOR ROOMS (EXCLUDING SMALL ROOMS) AND CIRCULATION SPACES. CLASS 3 FOR ROOMS LESS THAN 30M2 IN AREA.

| REV | DATE | DESCRIPTION | BY |
|-----|------------|--|----|
| P01 | 25.05.2018 | Issued for information. Stage 4. | TP |
| - | 04.05.2018 | Issued for information stage 3 updates | RA |



PROJECT
**UCL IOE PHASE 1B
20 BEDFORD WAY. WC1H 0AL**

CLIENT
UCL IOE

LOCATION
LEVEL 4 AND 5 WING

DRAWING TITLE
DOOR TYPE ELEVATIONS AND DETAILS

| STATUS | SCALE |
|--|------------------|
| INFORMATION | AS SHOWN @ A1 |
| DRAWN BY RA | CHECKED BY TP |
| DATE 16.04.2018 | REVISION P01 |
| DRAWING NUMBER UCL-IOE-0100-000-XX-DR-A-32-1005 | |

LORIENT ACOUSTIC OR FIRE DROP SEAL TO SUIT ACOUSTIC/ FIRE RATING NOTED ON DOOR SCHEDULE. JOINERY CONTRACTOR TO PROVIDE DETAIL FOR APPROVAL.